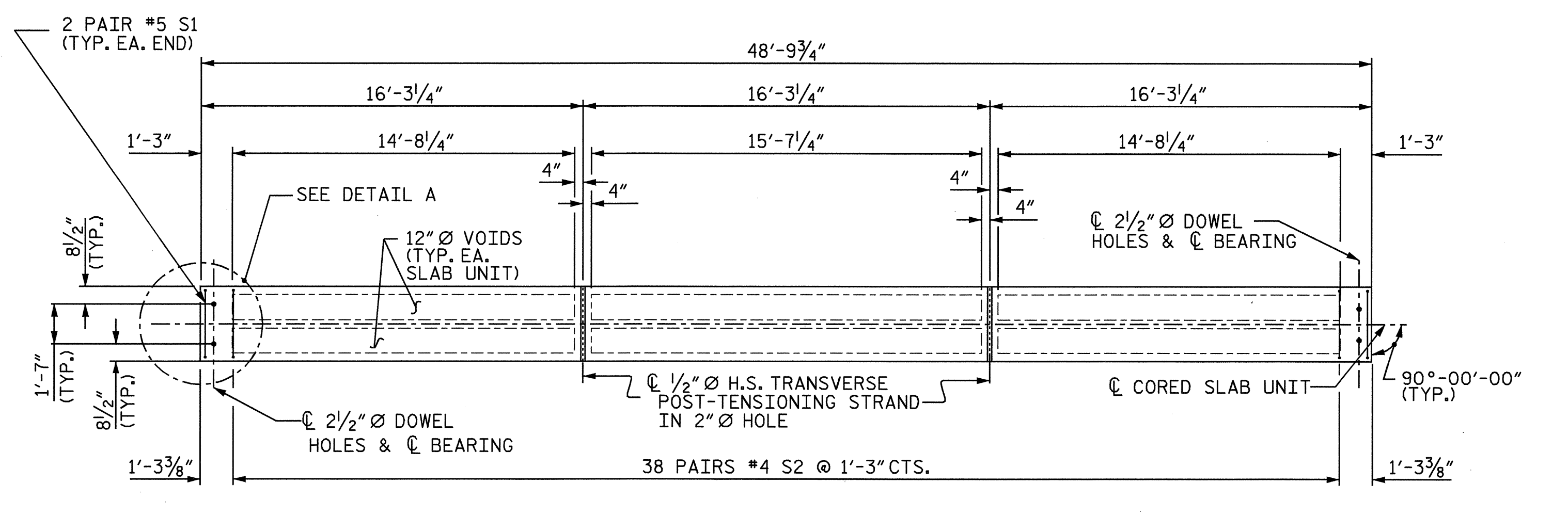
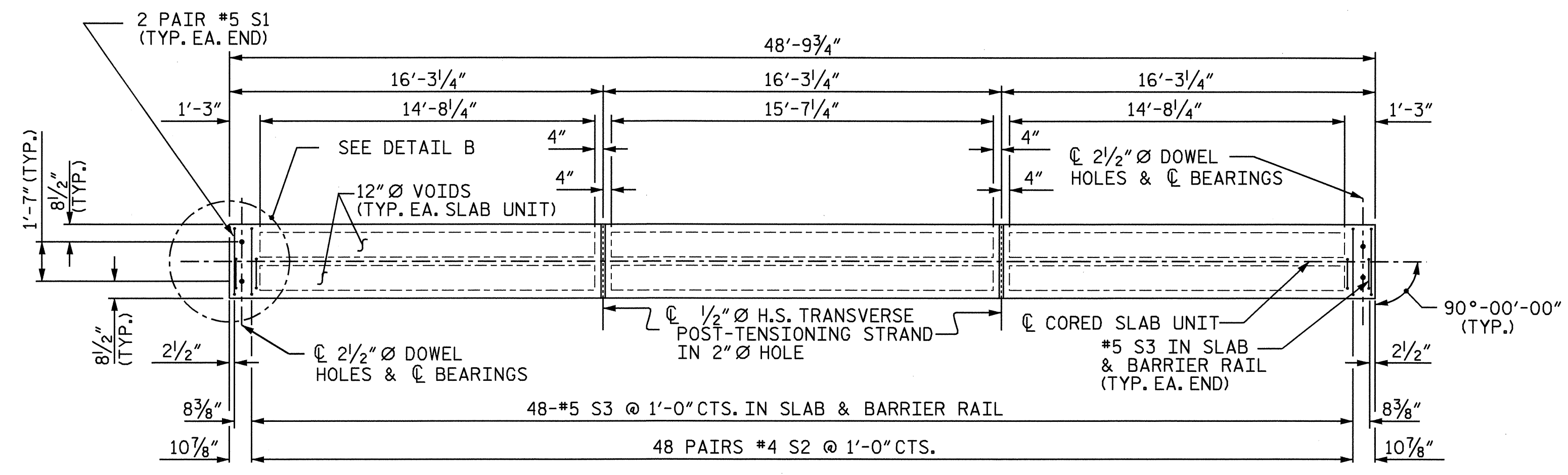


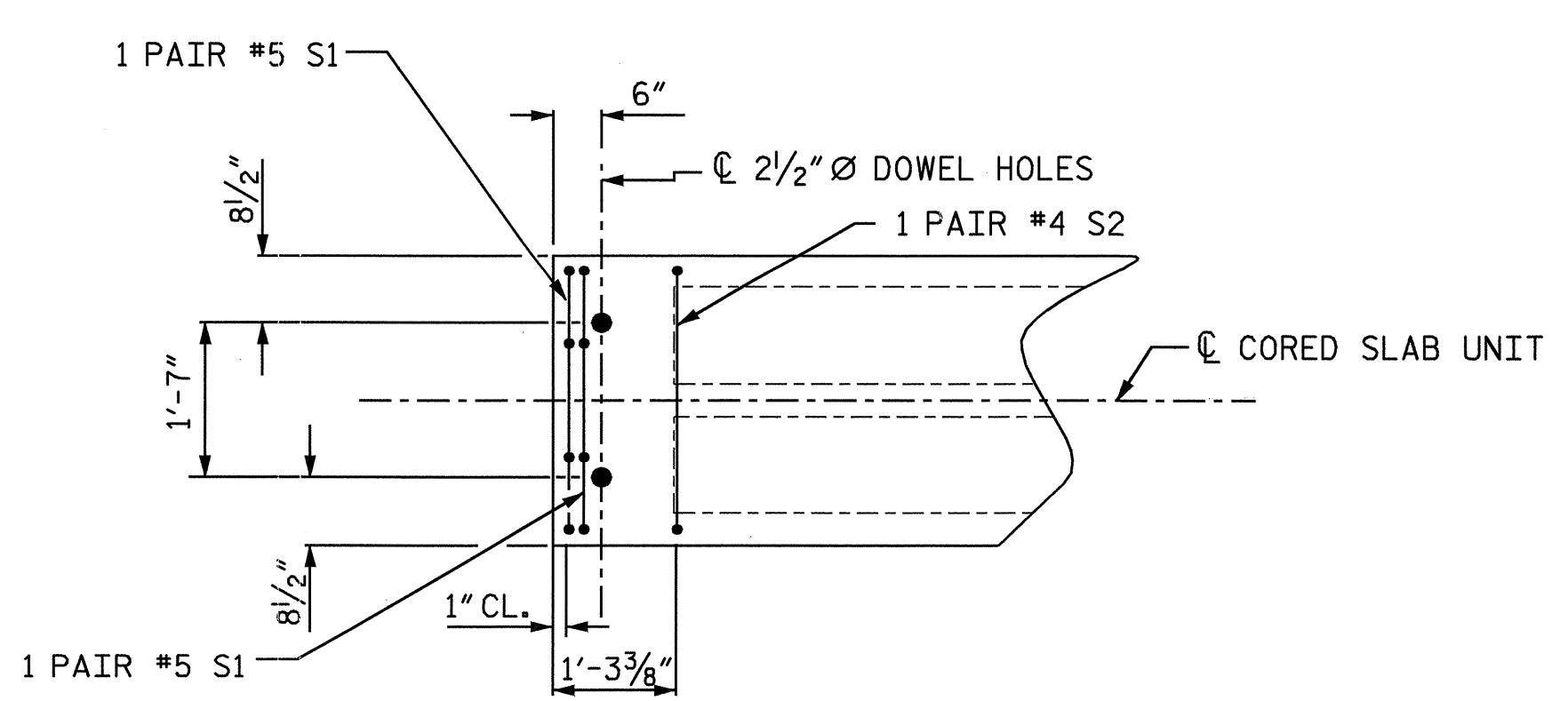
**PLAN OF SPAN A**



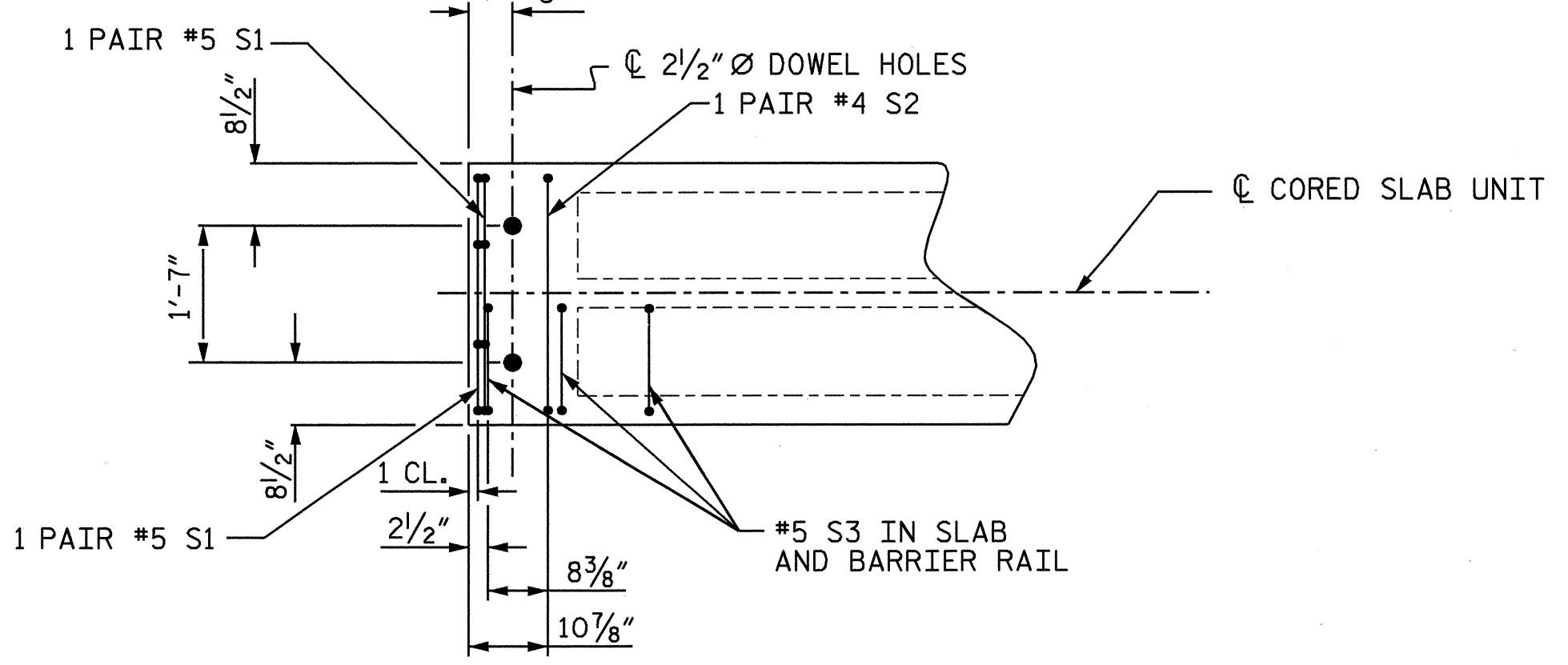
**PLAN OF INTERIOR CORED SLAB UNIT**



**PLAN OF EXTERIOR CORED SLAB UNIT**



**DETAIL A**  
(TYP. EA. END)



**DETAIL B**  
(TYP. EA. END)

PROJECT NO. B-3871  
MARTIN COUNTY  
 STATION: 16+67.50 -L-  
 SHEET 2 OF 4

STATE OF NORTH CAROLINA  
 DEPARTMENT OF TRANSPORTATION  
 RALEIGH  
 SUPERSTRUCTURE  
 PLAN OF SPAN A



DRAWN BY : R. G. EMERSON DATE : 7/03  
 CHECKED BY : P. C. BREWER DATE : 8/03

| REVISIONS |     |       |     |     |       | SHEET NO.    |
|-----------|-----|-------|-----|-----|-------|--------------|
| NO.       | BY: | DATE: | NO. | BY: | DATE: | S-5          |
| 1         |     |       | 3   |     |       | TOTAL SHEETS |
| 2         |     |       | 4   |     |       | 16           |