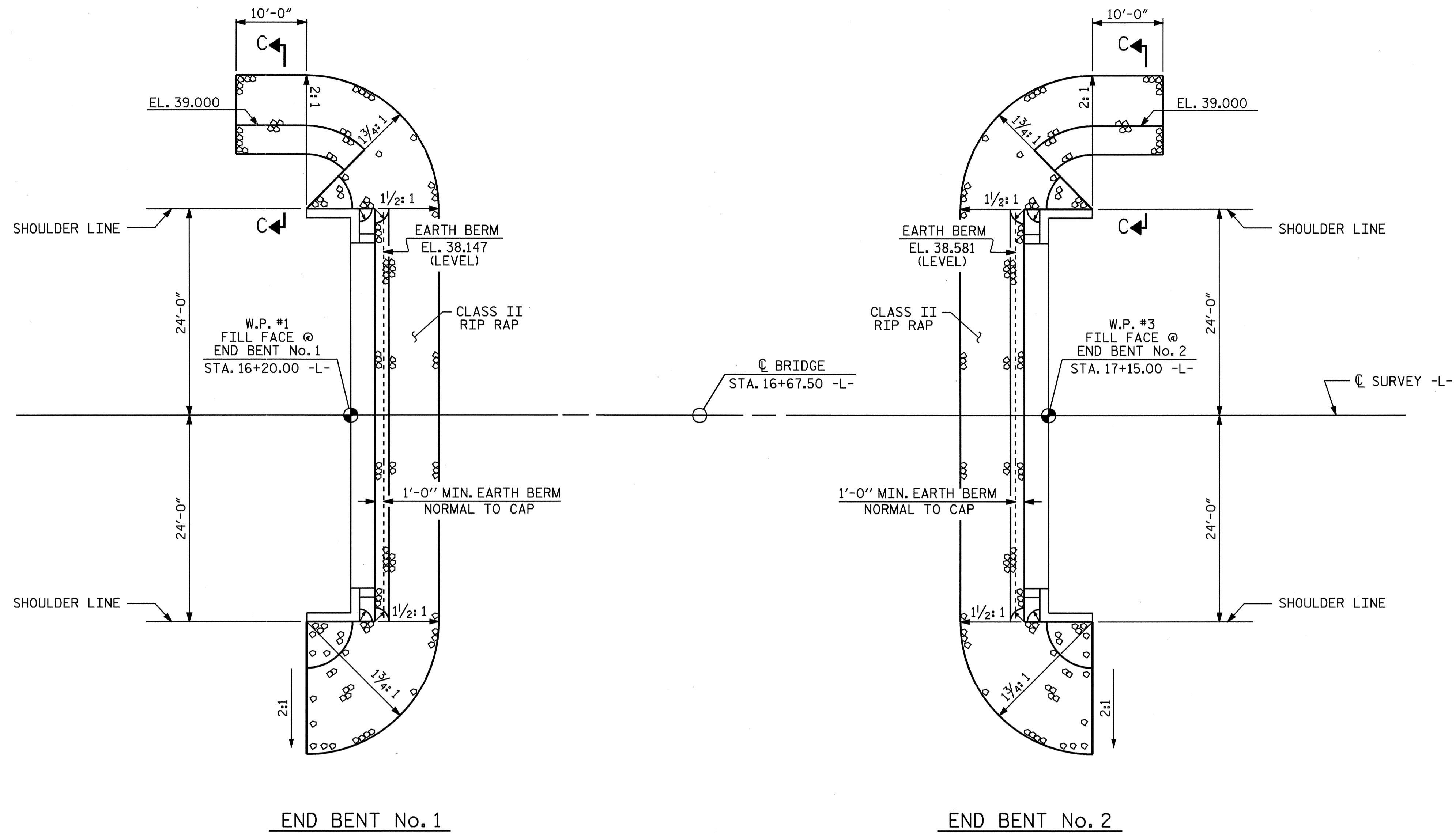
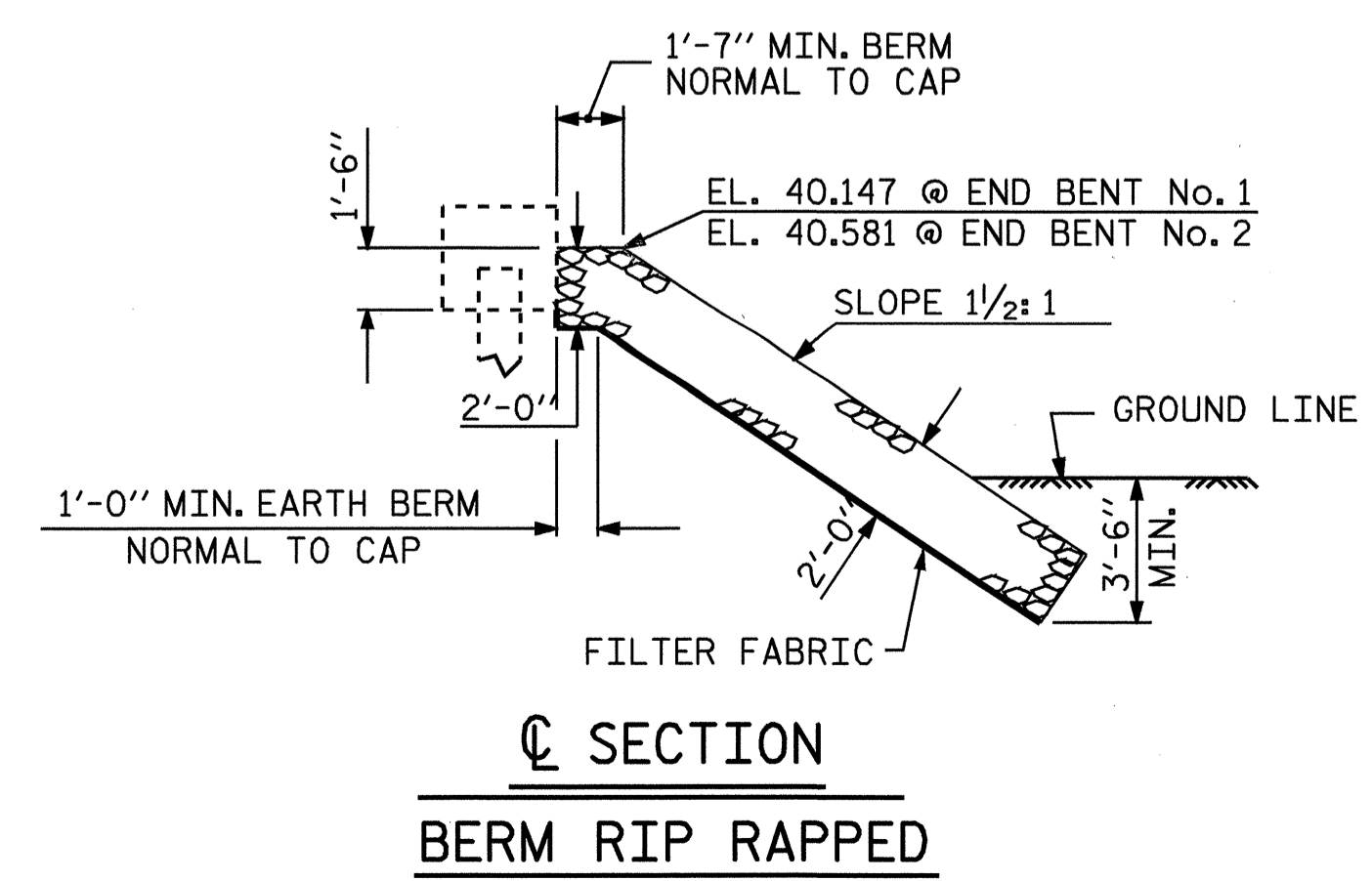


NOTES :
FOR BERM WIDTH DIMENSIONS, SEE GENERAL DRAWING.

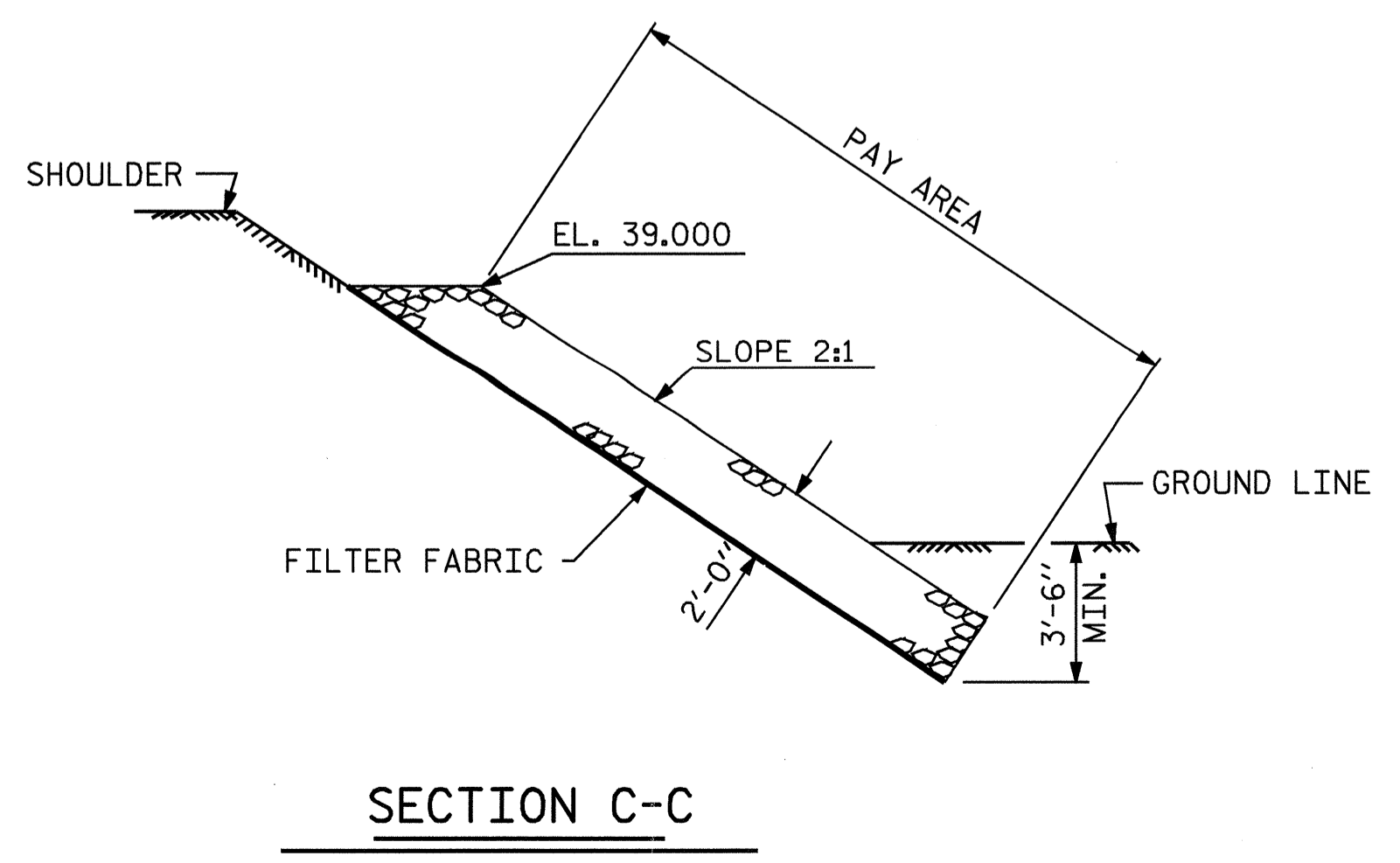


ESTIMATED QUANTITIES		
BRIDGE @ STA. 16+67.50 -L-	PLAIN RIP RAP CLASS II	FILTER FABRIC FOR DRAINAGE
	TONS	SQUARE YARDS
END BENT 1	90	100
END BENT 2	97	108

PLAN OF RIP RAP



SECTION
BERRIP RAPPED



SECTION C-C

PROJECT NO. B-3871
MARTIN COUNTY
STATION: 16+67.50 -L-

STATE OF NORTH CAROLINA DEPARTMENT OF TRANSPORTATION RALEIGH					
STANDARD RIP RAP DETAILS					
REVISIONS					
NO.	BY:	DATE:	NO.	BY:	DATE:
1			3		
2			4		
					SHEET NO. S-13
					TOTAL SHEETS 16



ASSEMBLED BY : B.N. GRADY DATE : 9/03
CHECKED BY : R.G. EMERSON DATE : 9/03
DRAWN BY : FCJ 2/88 REV. 7/17/98 REK/RWW
CHECKED BY : ARB 8/88 REV. 8/16/99 RWW/LES
REV. 10/17/00 RWW/LES