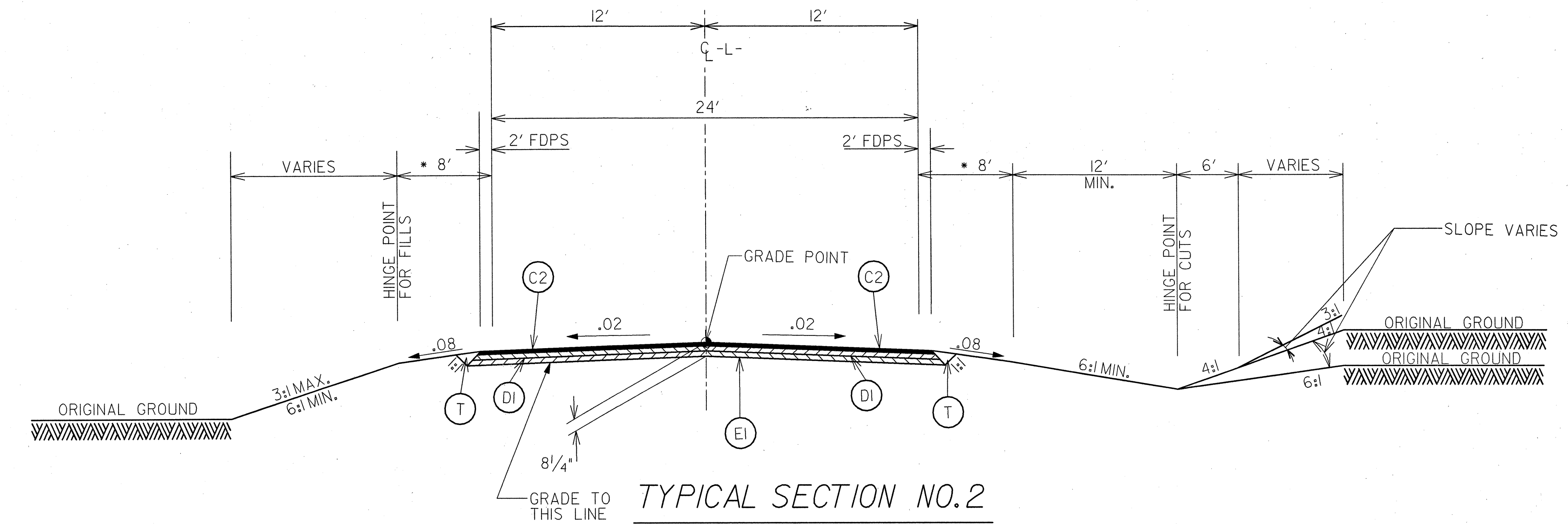


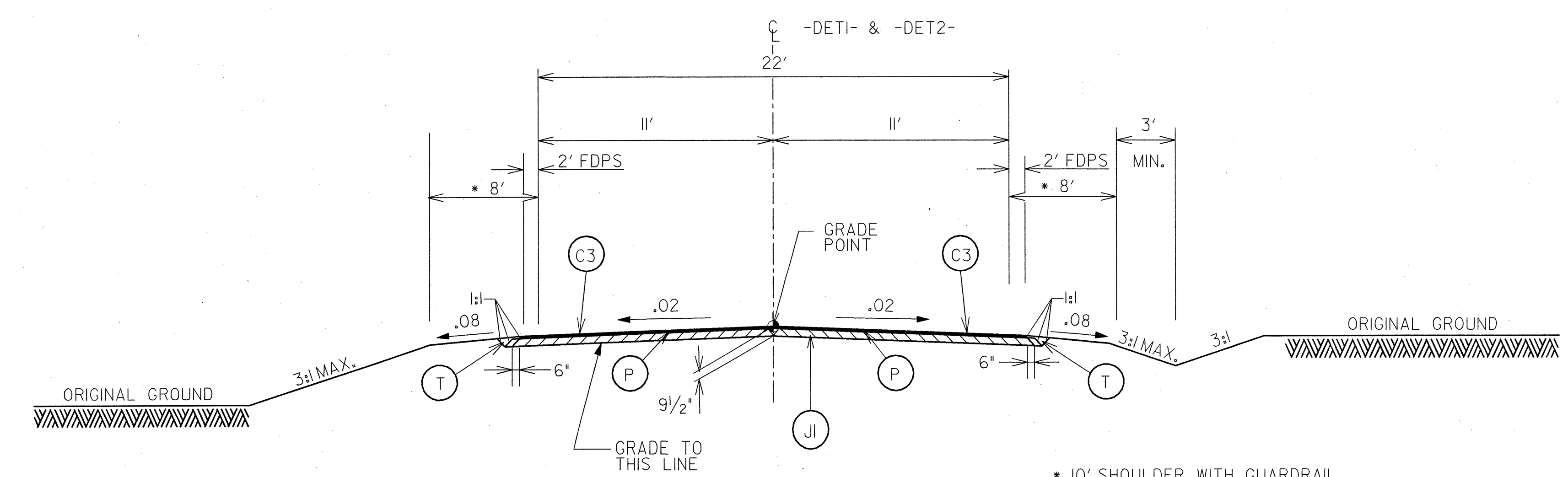
**TYPICAL SECTION NO.1**

-L- STA. 11+00.00 TO STA. 14+55.00  
-L- STA. 29+00.00 TO STA. 31+88.51  
\* 11' SHOULDER WITH GUARDRAIL



**TYPICAL SECTION NO.2**

-L- STA. 14+55.00 TO STA. 19+82.40 (BEGIN BRIDGE)  
-L- STA. 23+13.60 (END BRIDGE) TO STA. 29+00.00  
\* 11' SHOULDER WITH GUARDRAIL



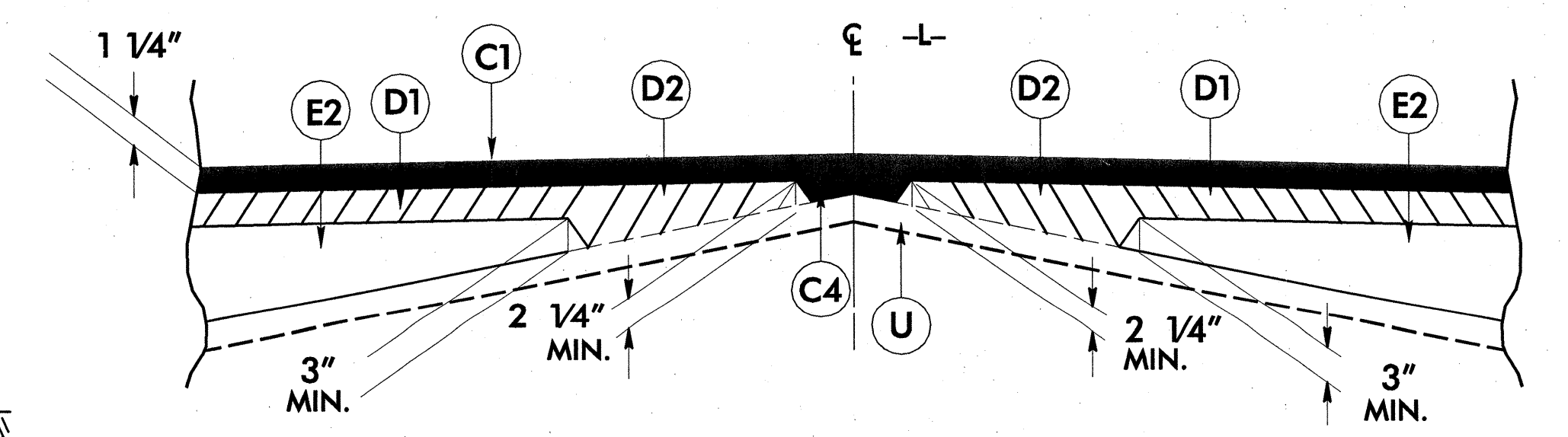
**TYPICAL SECTION NO.3**

-DET1- STA. 1+20.40 TO STA. 7+25.64  
-DET2- STA. 0+89.55 TO STA. 4+69.36  
\* 10' SHOULDER WITH GUARDRAIL

**PAVEMENT SCHEDULE**

CODE	DESCRIPTION
C1	PROP. APPROX. 1 1/4" ASPHALT CONC. SURFACE COURSE, TYPE S9.5B, AT AN AVERAGE RATE OF 140 LBS PER SQ. YARD.
C2	PROP. APPROX. 2 1/2" ASPHALT CONC. SURFACE COURSE, TYPE S9.5B, AT AN AVERAGE RATE OF 140 LBS PER SQ. YARD IN EACH OF TWO LAYERS.
C3	PROP. APPROX. 1 1/2" ASPHALT CONC. SURFACE COURSE, TYPE S9.5B, AT AN AVERAGE RATE OF 168 LBS PER SQ. YARD.
C4	PROP. VAR. DEPTH ASPHALT CONC. SURFACE COURSE, TYPE S9.5B, AT AN AVERAGE RATE OF 112 LBS PER SQ. YARD PER 1" DEPTH. TO BE PLACED IN LAYERS NOT TO EXCEED 1-1/2" IN DEPTH.
D1	PROP. APPROX. 2 1/4" ASPHALT CONC. INTERMEDIATE COURSE, TYPE I19.0B, AT AN AVERAGE RATE OF 256.5 LBS PER SQ. YARD.
D2	PROP. VAR. DEPTH ASPHALT CONCRETE INTERMEDIATE COURSE, TYPE I19.0B, AT AN AVERAGE RATE OF 114 LBS. PER SQ. YD. PER 1" DEPTH, TO BE PLACED IN LAYERS NOT LESS THAN 2 1/4" IN DEPTH OR GREATER THAN 4" IN DEPTH.
E1	PROP. APPROX. 3 1/2" ASPHALT CONC. BASE COURSE, TYPE B25.0B, AT AN AVERAGE RATE OF 399 LBS PER SQ. YARD.
E2	PROP. VAR. DEPTH ASPHALT CONC. BASE COURSE, TYPE B25.0B, AT AN AVERAGE RATE OF 114 LBS PER SQ. YARD PER 1" DEPTH. TO BE PLACED IN LAYERS NOT GREATER THAN 5 1/2" IN DEPTH OR LESS THAN 3" IN DEPTH.
J1	PROP. 8" AGGREGATE BASE COURSE.
P	PRIME COAT AT THE RATE OF .35 GAL. PER SQ. YD.
T	EARTH MATERIAL.
U	EXISTING PAVEMENT MATERIAL.
W	VAR. DEPTH ASPHALT PAVEMENT. (SEE WEDGING DETAIL)

USE 1:1 PAVEMENT EDGE SLOPES UNLESS OTHERWISE NOTED



**WEDGING DETAIL**

WEDGE AS REQUIRED TO ACHIEVE DESIRED CROSS SLOPE AS DIRECTED BY ENGINEER

REVISIONS