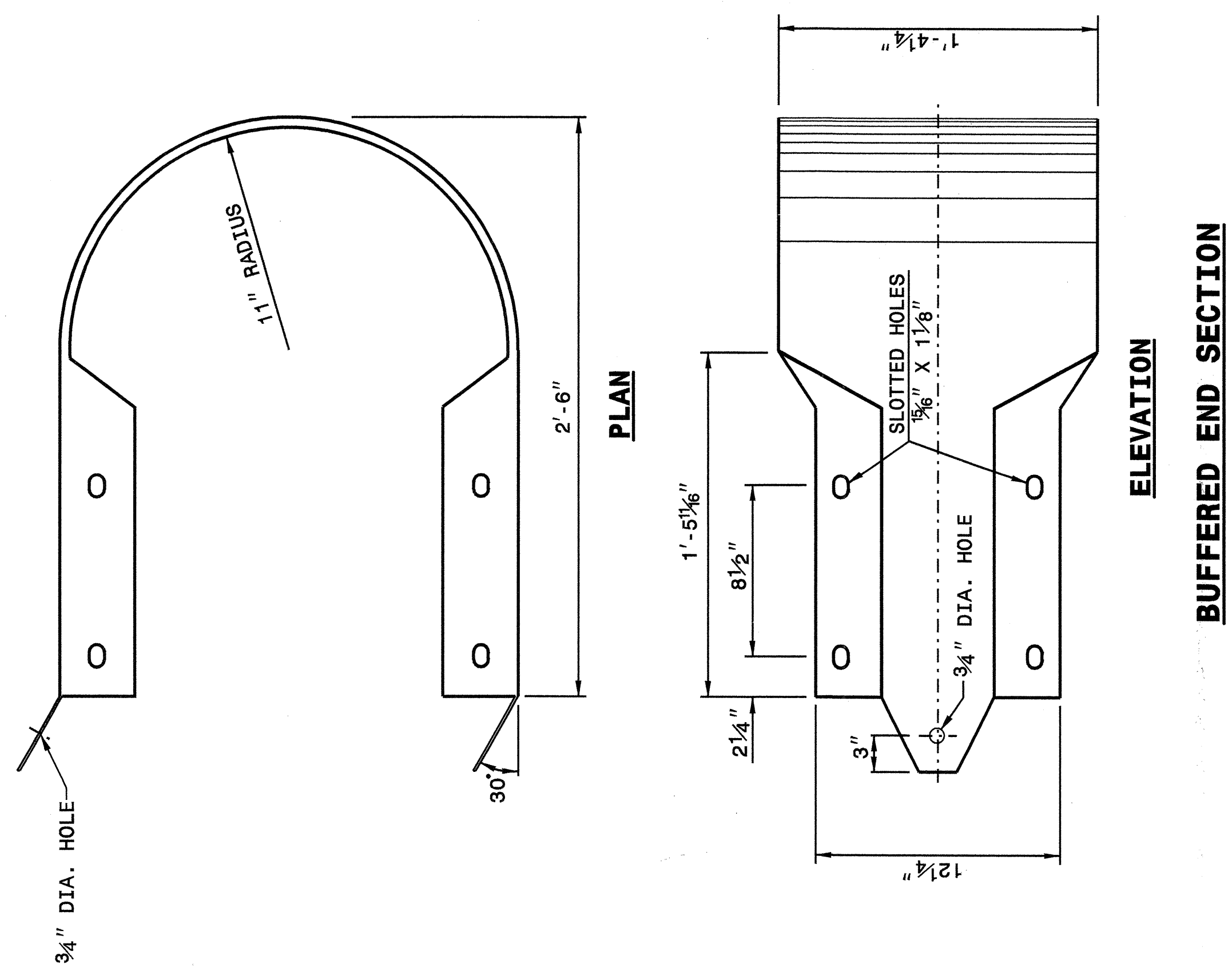


STATE OF NORTH CAROLINA  
DEPT. OF TRANSPORTATION  
DIVISION OF HIGHWAYS  
RALEIGH, N.C.

ENGLISH DETAIL DRAWING FOR  
**GUARDRAIL INSTALLATION**

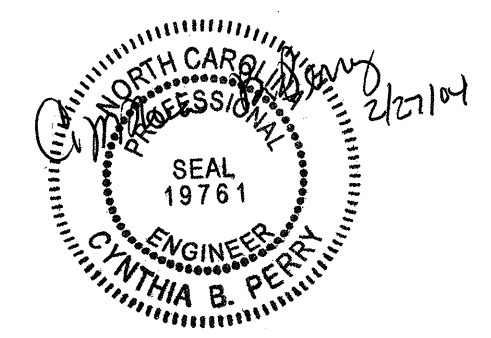
SHEET 7 OF 7  
**862D02**



STATE OF NORTH CAROLINA  
DEPT. OF TRANSPORTATION  
DIVISION OF HIGHWAYS  
RALEIGH, N.C.

ENGLISH DETAIL DRAWING FOR  
**GUARDRAIL INSTALLATION**

SHEET 7 OF 7  
**862D02**



**DESIGN SERVICES UNIT**  
**STANDARDS AND SPECIAL DESIGN**  
Office 919-250-4128 FAX 919-250-4119

**SEE PLATE FOR TITLE**

ORIGINAL BY: 2002 STD.862.02 DATE: \_\_\_\_\_  
 MODIFIED BY: E. E. WARD DATE: 02-09-03  
 CHECKED BY: *[Signature]* DATE: 5-03  
 FILE SPEC.: I:\sr\std\02\stdeta\07\english\86202\862d02.dgn

I:\MAY-2003\4404  
W:\Special\_Details\viewer\d\stds\02\stds to Special\_Details\english\86202\0862d02.dgn  
ericward AT DS188660

5/14/99