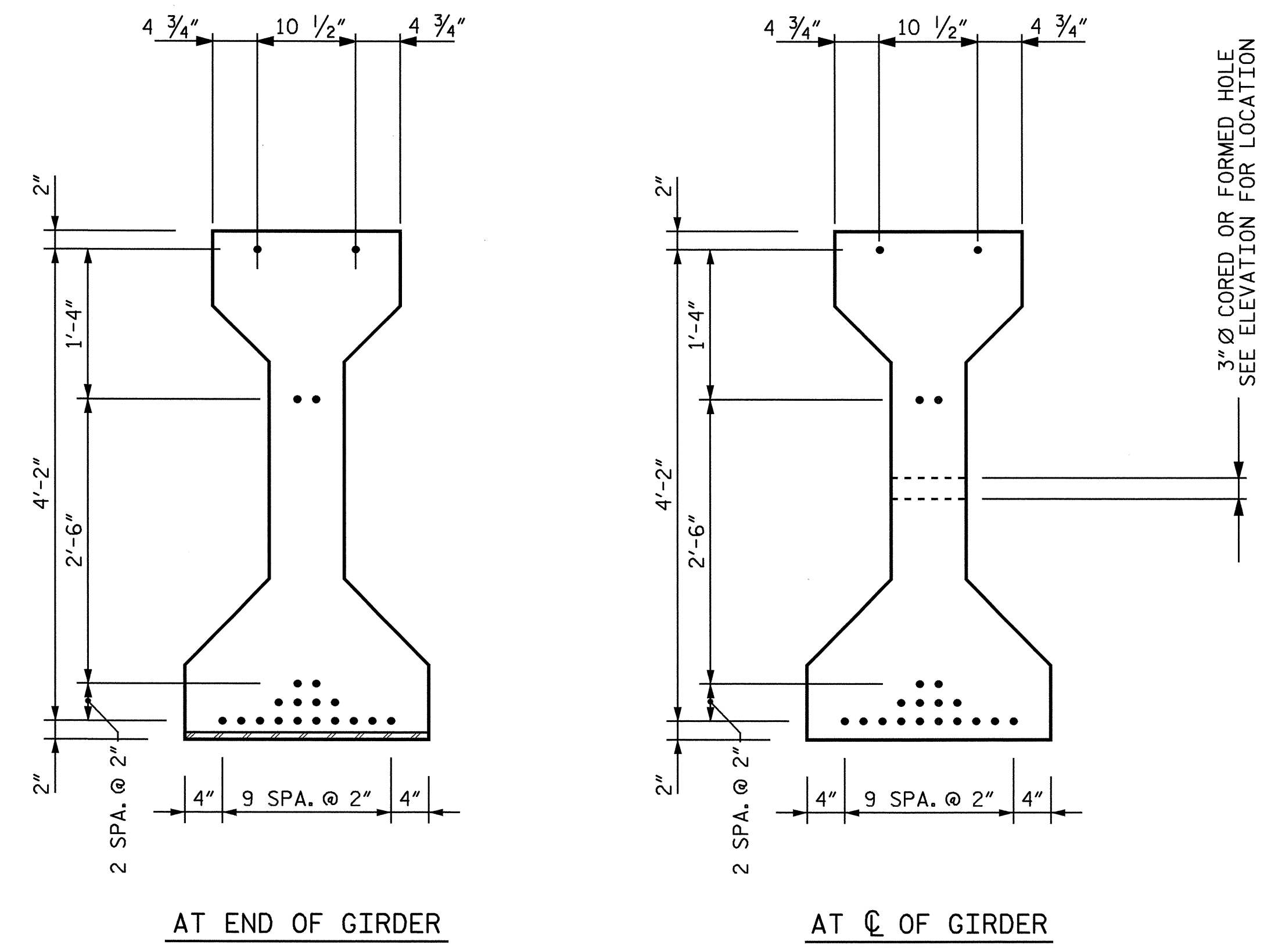


* FOR S7 BARS, SEE
DETAIL "A" OF PRESTRESSED
CONCRETE GIRDER CONTINUOUS
FOR LIVE LOAD DETAILS
SHEET



3" Ø CORED OR FORMED HOLE
SEE ELEVATION FOR LOCATION

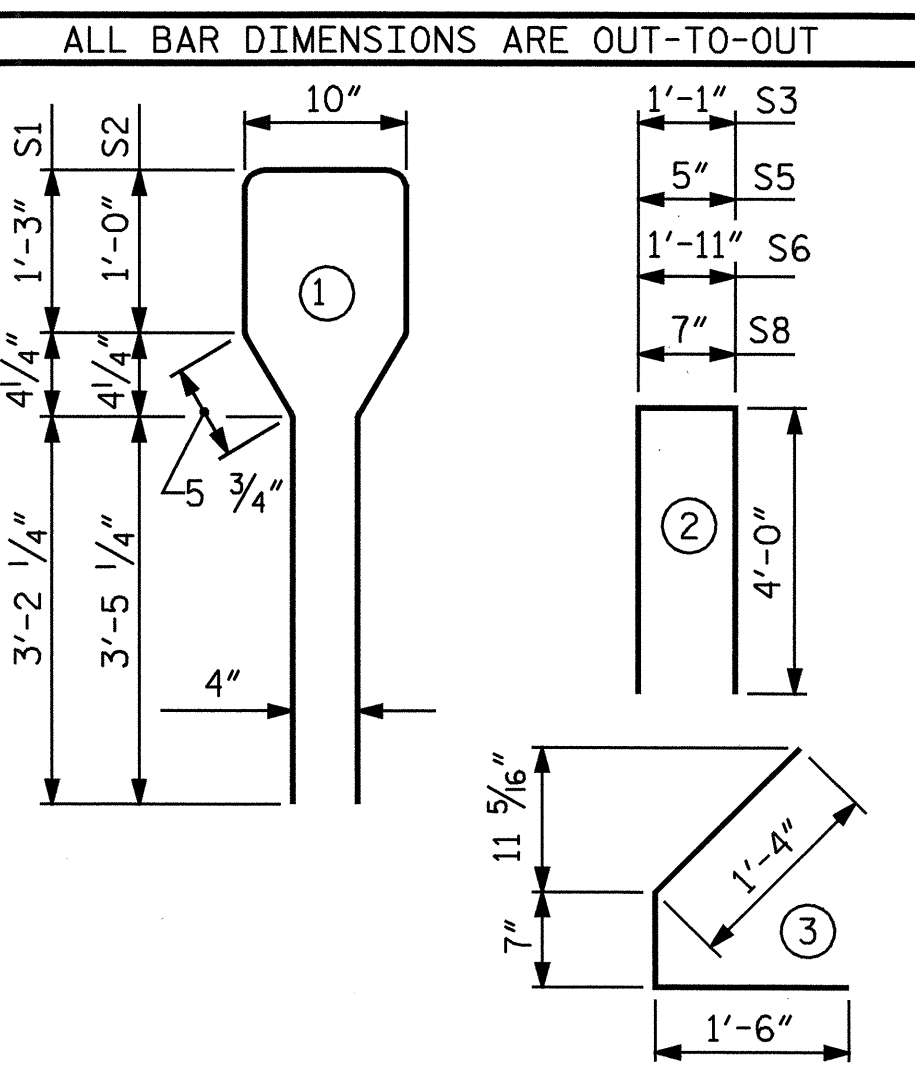
1/2" Ø LOW RELAXATION STRAND LAYOUT

1/2" Ø L. R. GRADE 270 STRANDS		
AREA (SQUARE INCHES)	ULTIMATE STRENGTH (LBS. PER STRAND)	APPLIED PRESTRESS (LBS. PER STRAND)
0.153	41,300	30,980

REINFORCING STEEL FOR ONE GIRDER					
BAR	NUMBER	SIZE	TYPE	LENGTH	WEIGHT
S1	52	#4	1	10'-8"	371
S2	12	#6	1	10'-8"	192
S3	4	#4	2	9'-1"	24
S4	68	#4	3	3'-5"	155
S5	6	#4	2	8'-5"	34
S6	1	#4	2	9'-11"	7
*S7	6	#5	STR	3'-8"	23
S8	4	#4	2	8'-7"	23
S9	1	#3	STR	1'-10"	1

* NOTE: S7 BARS SHALL BE BENT BEFORE SHIPMENT. HEAT BENDING SHALL NOT BE ALLOWED.

BAR TYPES

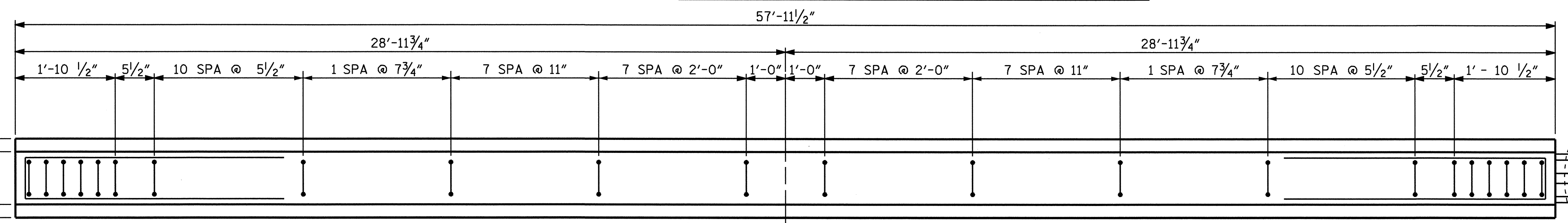


QUANTITIES FOR ONE GIRDER

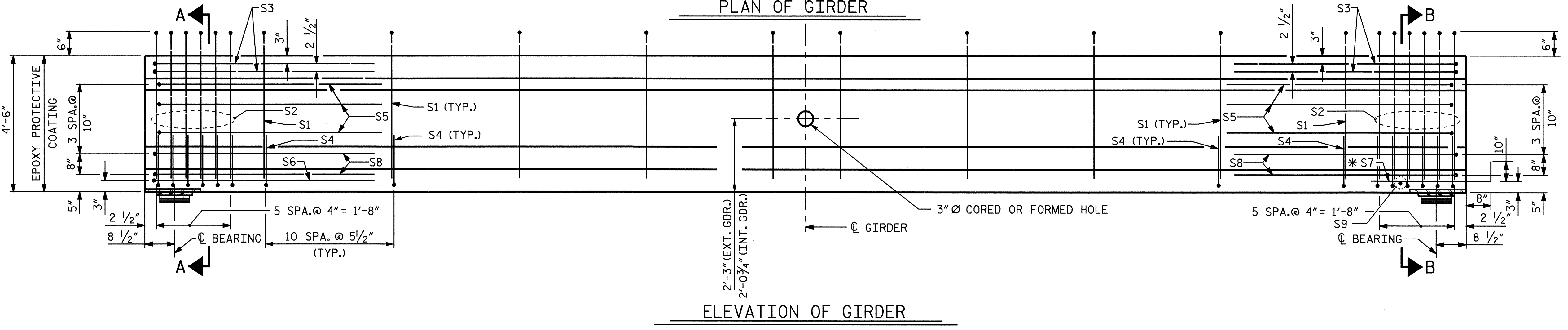
	REINFORCING STEEL	5000.0 PSI CONCRETE	1/2" Ø L.R. STRAND
	LB.	C.Y.	No.
SPAN A	830	11.762	20

GIRDERS REQUIRED

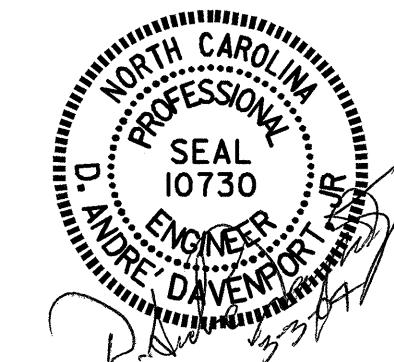
NUMBER	LENGTH	TOTAL LENGTH
4	57.958	231.833



PLAN OF GIRDER



ELEVATION OF GIRDER



ASSEMBLED BY : H. TOM BARBOUR	DATE : 3-26-03	CADD STANDARD
CHECKED BY : D. G. ELY	DATE : 5-03	
DRAWN BY : RB	2/97	REV. 10/99 MAB/LES
CHECKED BY : VP	2/97	

PROJECT NO. B-3865
JOHNSTON COUNTY
STATION: 21+48.00 -L-

SHEET 1 OF 4

STATE OF NORTH CAROLINA
DEPARTMENT OF TRANSPORTATION
RALEIGH

AASHTO TYPE IV
PRESTRESSED CONCRETE GIRDER
CONTINUOUS FOR LIVE LOAD
SPAN A

REVISIONS					SHEET NO.
NO.	BY:	DATE:	NO.	BY:	DATE:
1			3		
2			4		