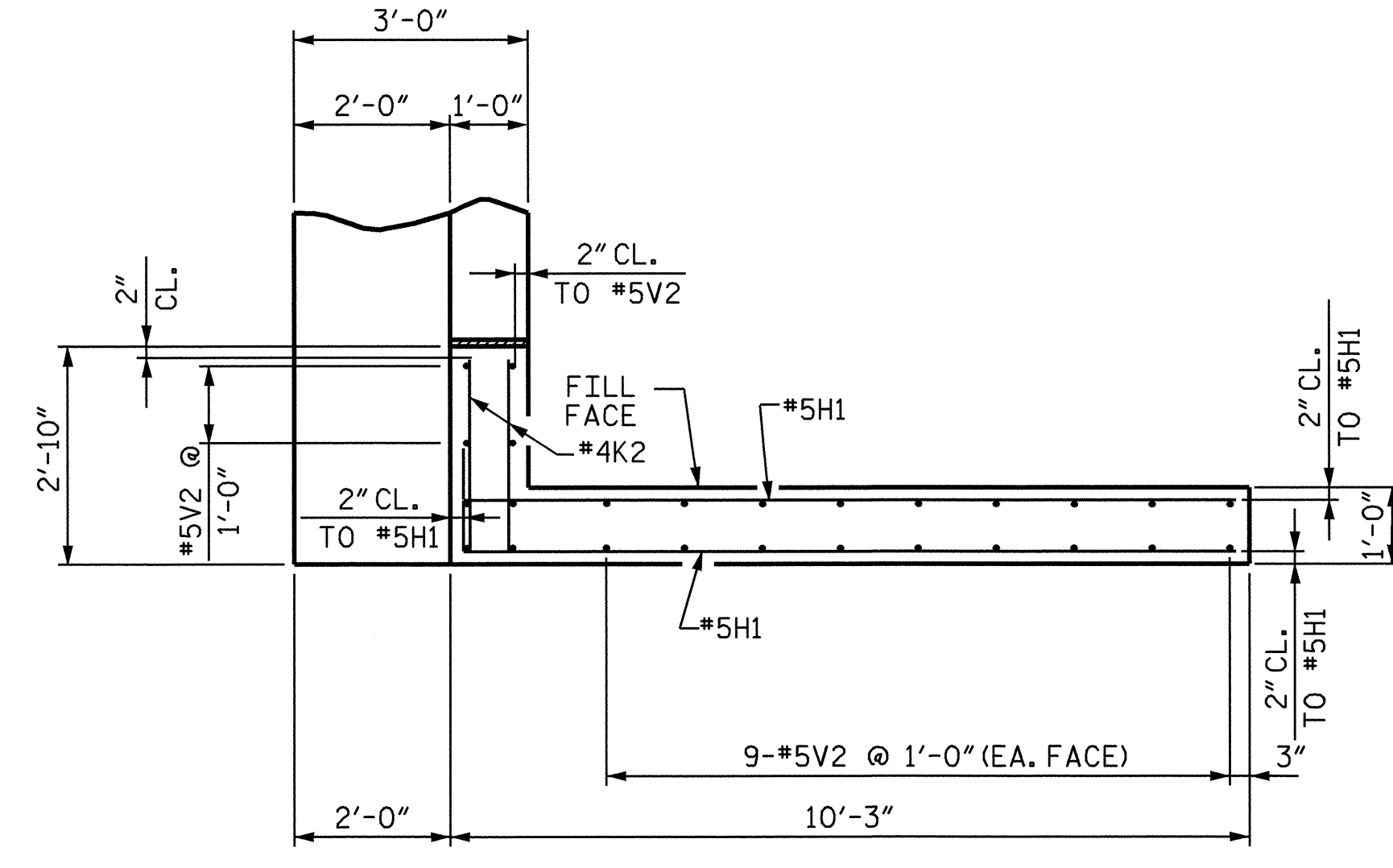
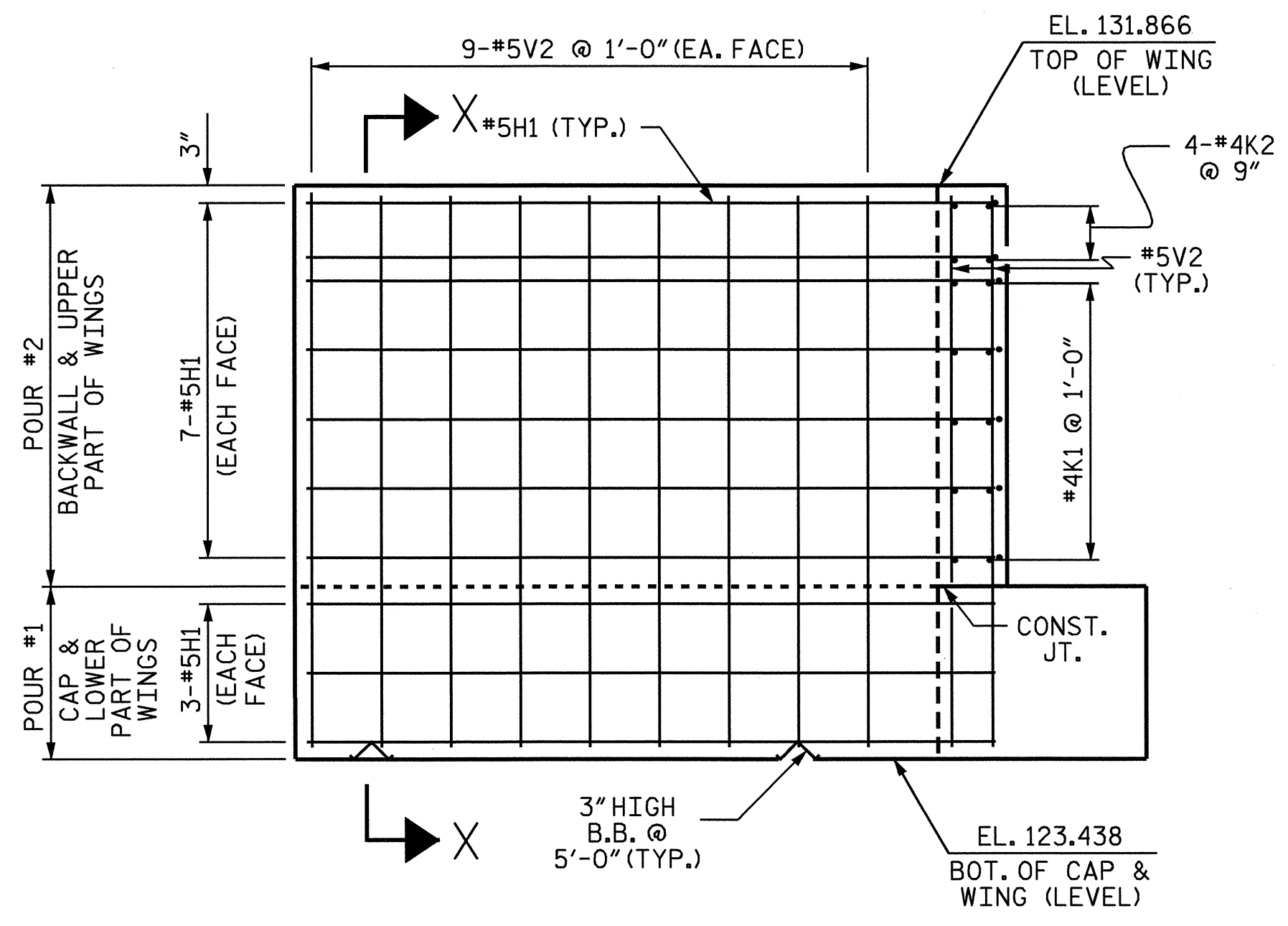


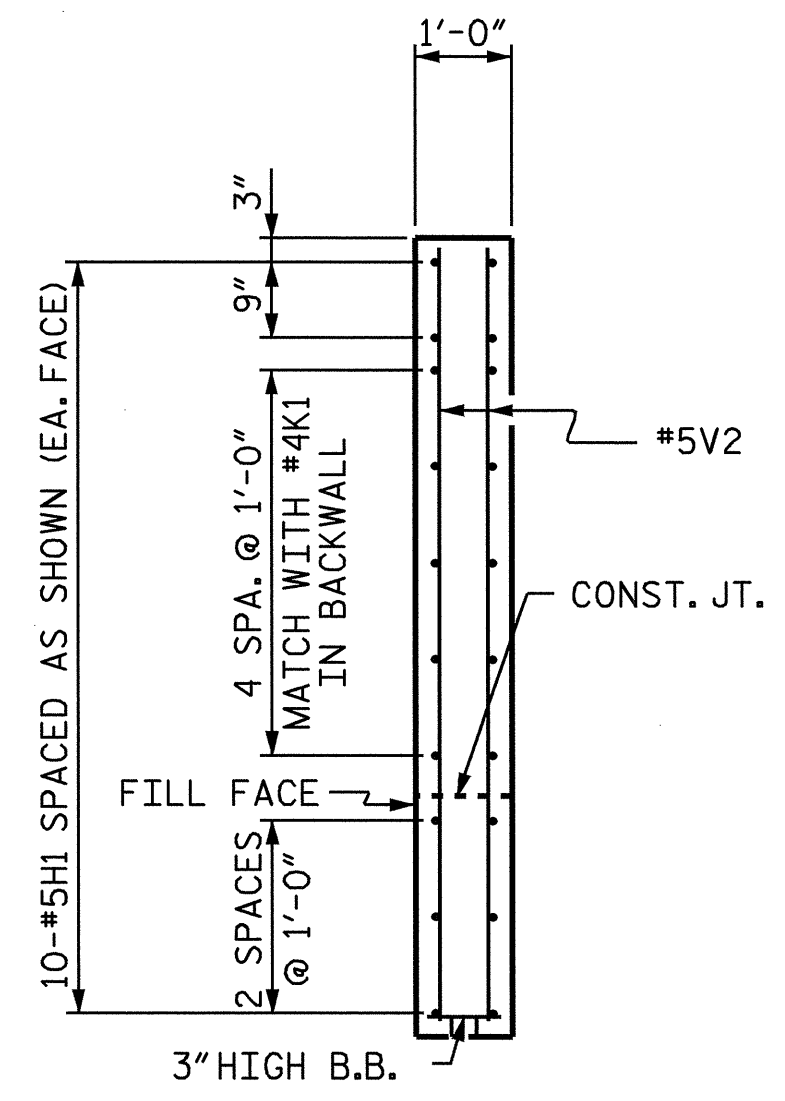
PLAN OF LEFT WING - W1



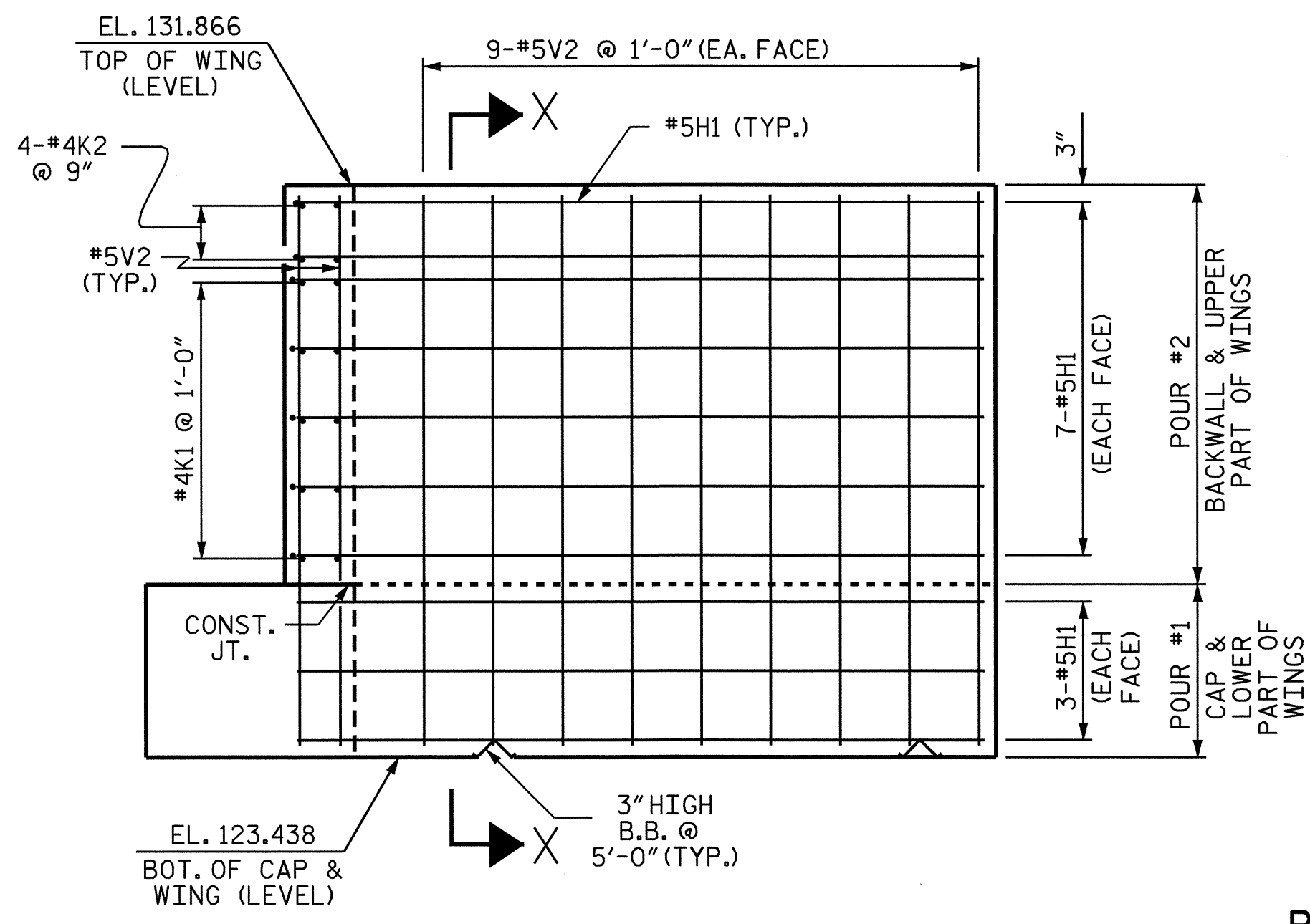
PLAN OF RIGHT WING - W2



ELEVATION OF LEFT WING - W1



SECTION X-X



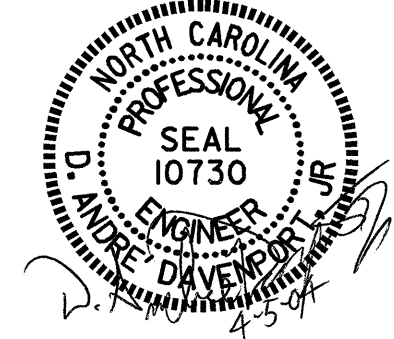
ELEVATION OF RIGHT WING - W2

PROJECT NO. B-3865
JOHNSTON COUNTY
STATION: 21+48.00 -L-

SHEET 2 OF 3

STATE OF NORTH CAROLINA
DEPARTMENT OF TRANSPORTATION
RALEIGH

SUBSTRUCTURE
END BENT #2



DRAWN BY : H. T. BARBOUR DATE : 2-4-04
CHECKED BY : D.A. DAVENPORT DATE : 2-04

REVISIONS						SHEET NO. S-28
NO.	BY:	DATE:	NO.	BY:	DATE:	
1			3			TOTAL SHEETS 33
2			4			