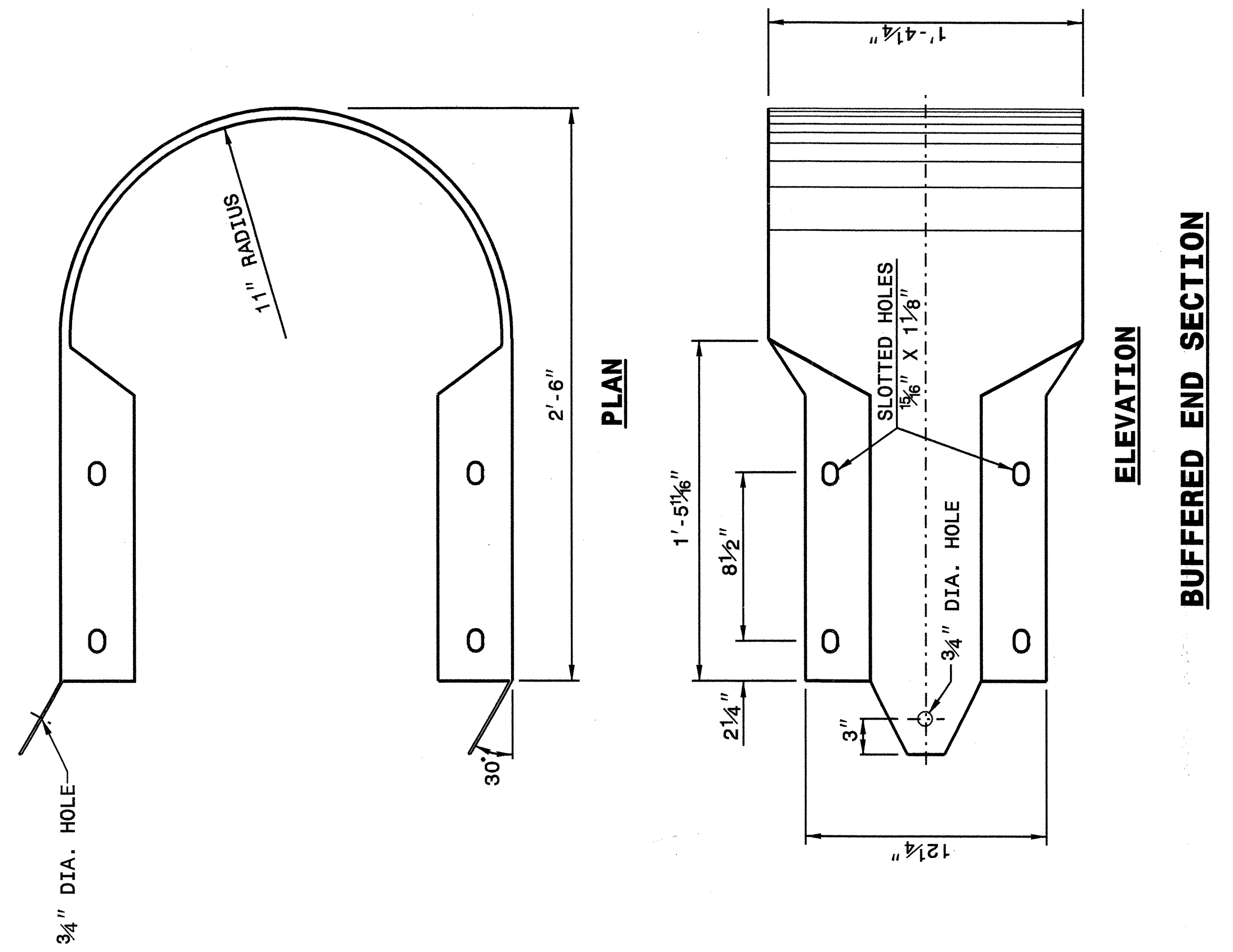


STATE OF NORTH CAROLINA
DEPT. OF TRANSPORTATION
RALEIGH, N.C.

ENGLISH DETAIL DRAWING FOR
GUARDRAIL INSTALLATION

SHEET 7 OF 7
862D02



STATE OF NORTH CAROLINA
DEPT. OF TRANSPORTATION
DIVISION OF HIGHWAYS
RALEIGH, N.C.

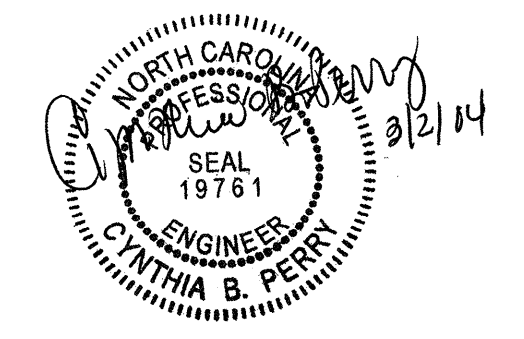
ENGLISH DETAIL DRAWING FOR
GUARDRAIL INSTALLATION

SHEET 7 OF 7
862D02

**DESIGN SERVICES UNIT
STANDARDS AND SPECIAL DESIGN**
Office 919-250-4128 FAX 919-250-4119

SEE PLATE FOR TITLE

ORIGINAL BY: 2002 STD. 862.02 DATE: 02-09-03
 MODIFIED BY: E. E. WARD DATE: 5-03
 CHECKED BY: [Signature] DATE: 5-03
 FILE SPEC.: /usr/std/02todetail/eng/lish/86202/862d02.dgn



I:\Projects\2003\4404
 W:\Special_Details\review\d\stds\02\stds to Special_Details\english\86202\0862d02.dgn
 erickward AT DSI86660

5/14/99