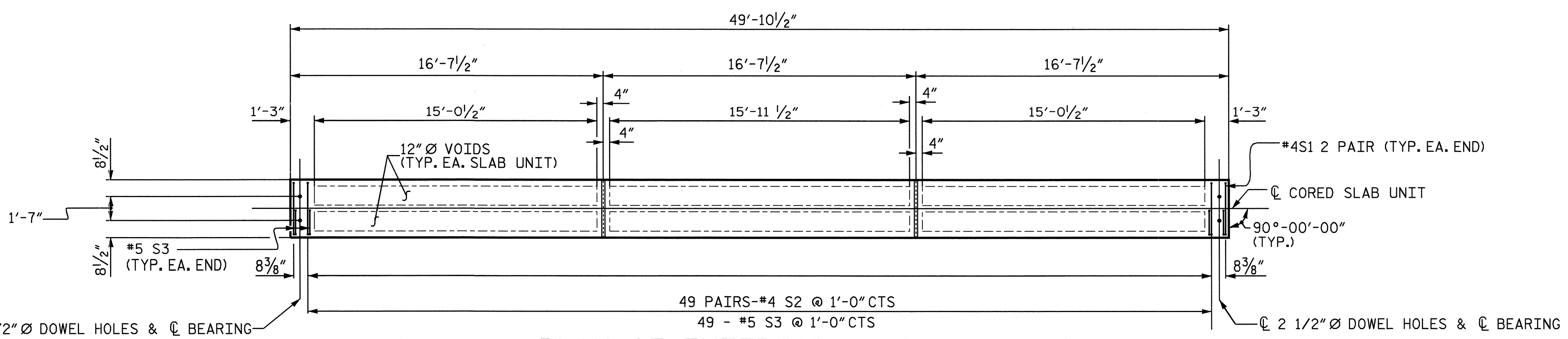


PLAN OF SPAN B

#4B2 SPLICE LENGTH = 1'-9"

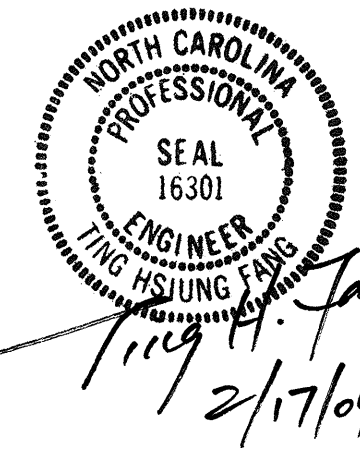


PLAN OF EXTERIOR SLAB - SPAN B

PLAN FOR INTERIOR SLAB IDENTICAL EXCEPT OMIT S3 BARS

PROJECT NO. B-4139
HARNETT COUNTY
 STATION: 17+68.00 -L-
 SHEET 3 OF 7

STATE OF NORTH CAROLINA
 DEPARTMENT OF TRANSPORTATION
 RALEIGH
 SUPERSTRUCTURE
 PLAN OF SPAN



REVISIONS						SHEET NO.
NO.	BY:	DATE:	NO.	BY:	DATE:	S-6
1			3			TOTAL SHEETS
2			4			22

DRAWN BY : S. M. RASHIDI DATE : 4/14/03
 CHECKED BY : N. TRAN DATE : 10/31/03