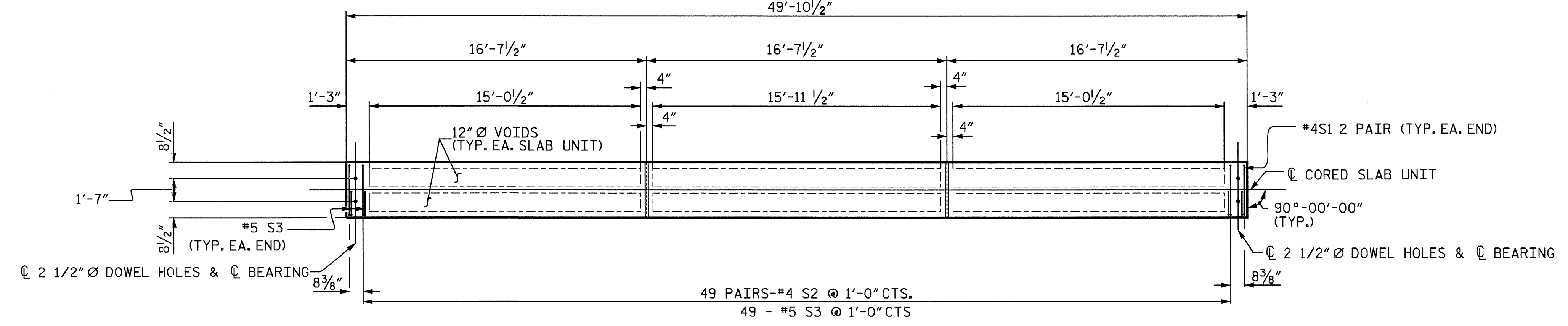


**PLAN OF SPAN C**  
\*4B2 SPLICE LENGTH = 1'-9"

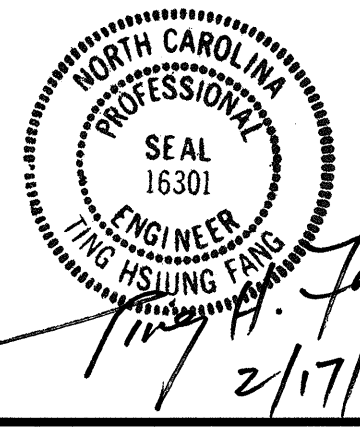


**PLAN OF EXTERIOR SLAB - SPAN C**  
PLAN FOR INTERIOR SLAB IDENTICAL EXCEPT OMIT S3 BARS

PROJECT NO. B-4139  
HARNETT COUNTY  
STATION: 17+68.00 -L-  
SHEET 4 OF 7

STATE OF NORTH CAROLINA  
DEPARTMENT OF TRANSPORTATION  
RALEIGH

SUPERSTRUCTURE  
PLAN OF SPAN



REVISIONS						SHEET NO.
NO.	BY:	DATE:	NO.	BY:	DATE:	S-7
1			3			TOTAL SHEETS 22
2			4			

DRAWN BY: S. M. RASHIDI DATE: 4/14/03  
CHECKED BY: N. TRAN DATE: 4/14/03