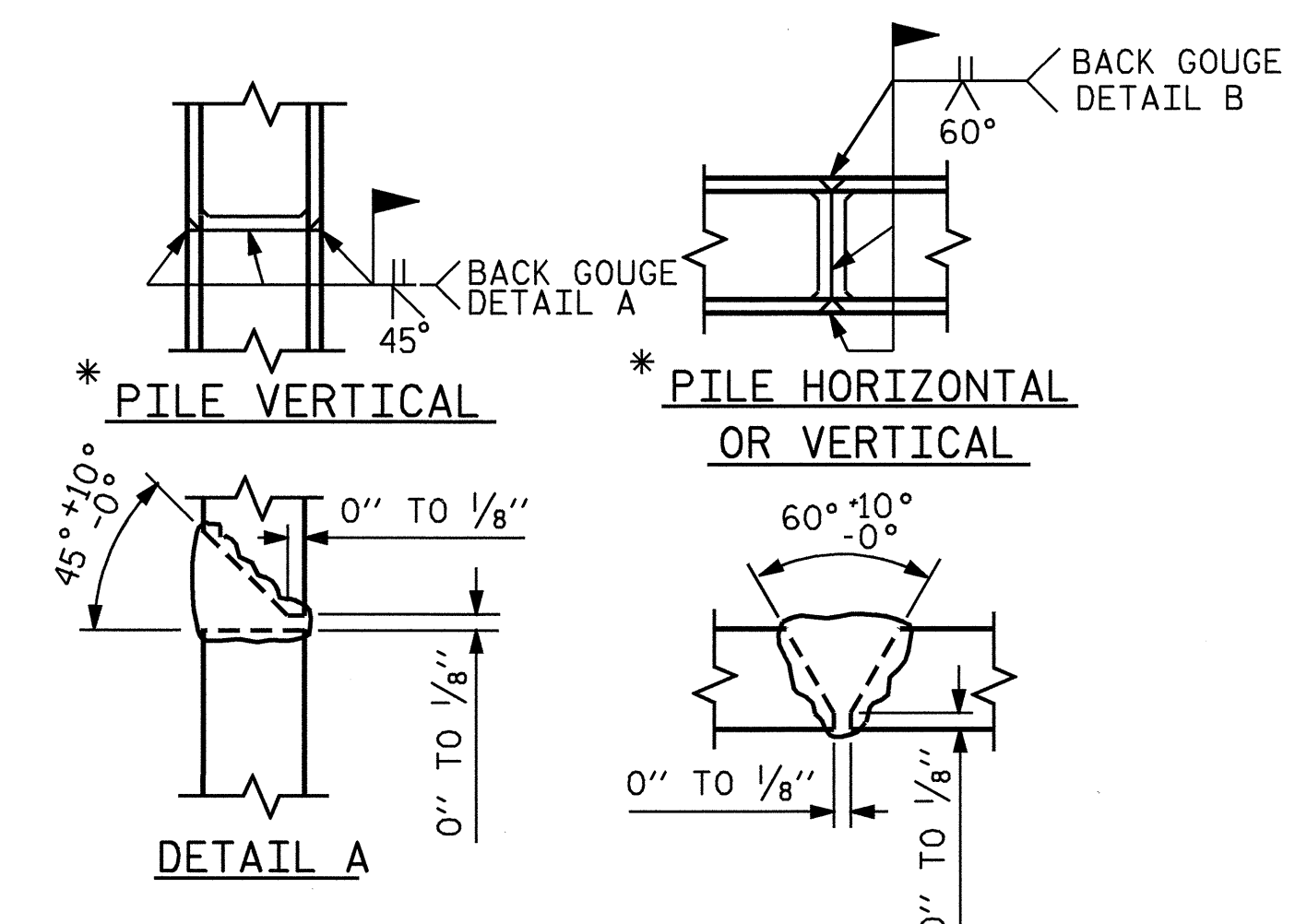
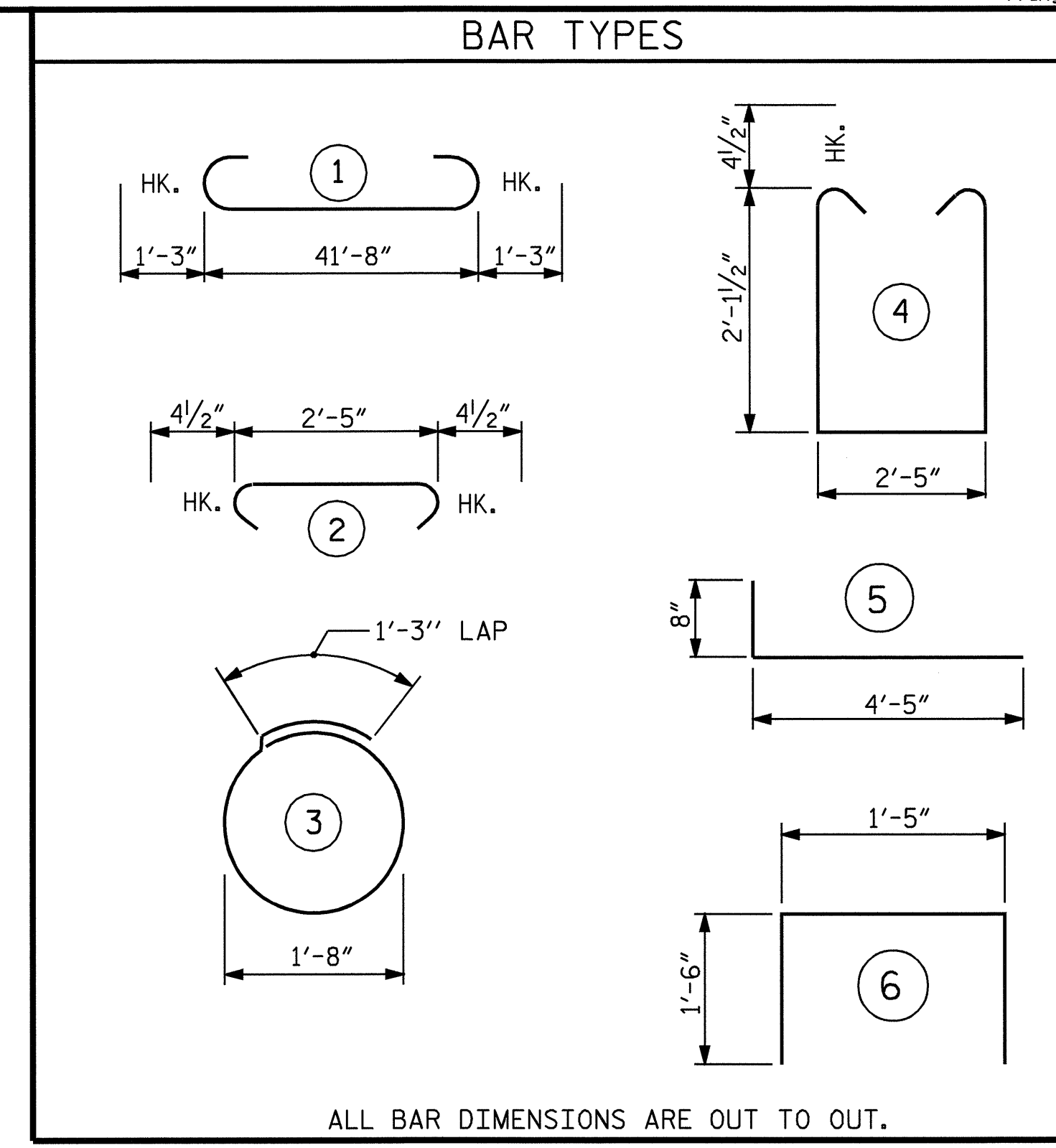


PLAN OF WING
LEFT WING SHOWN, RIGHT WING SIMILAR

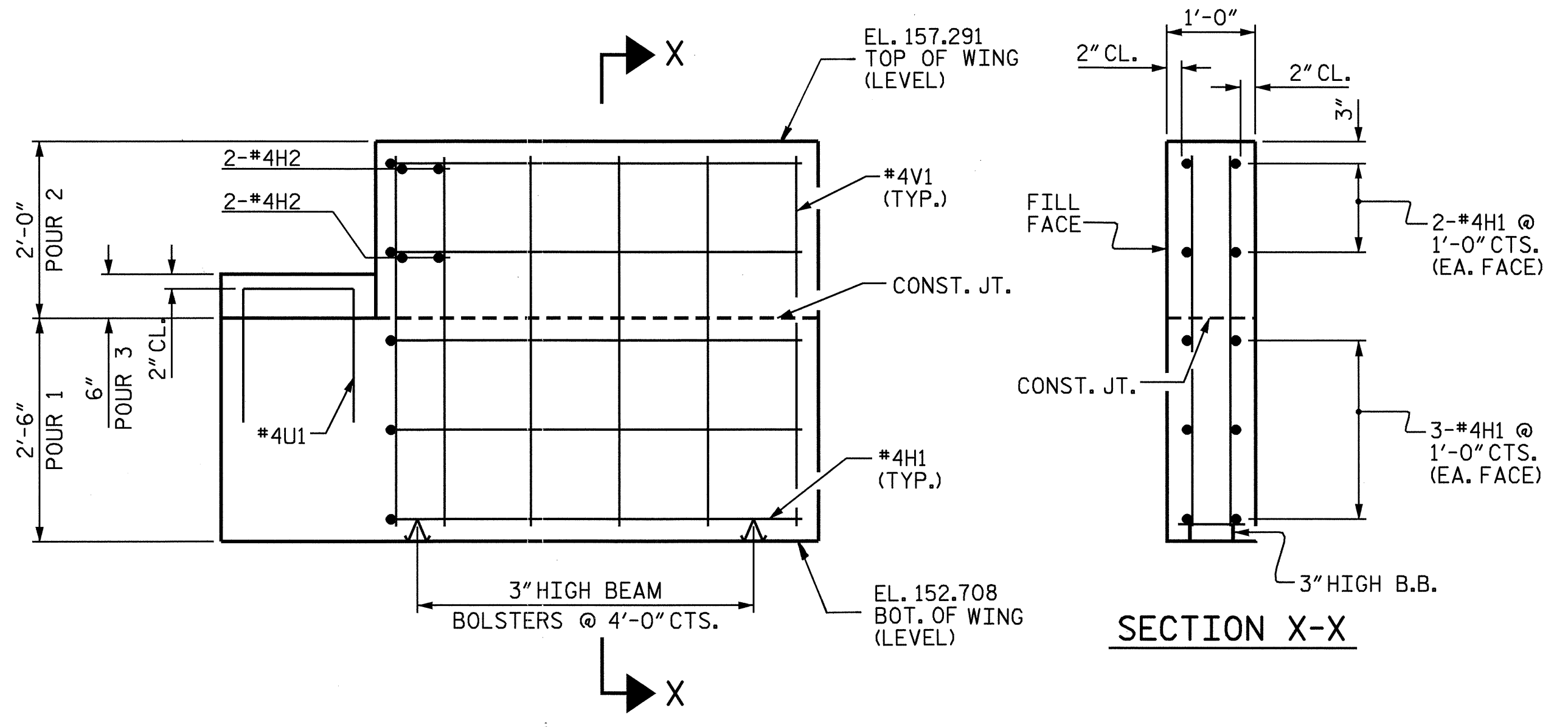


PILE SPLICE DETAILS
* POSITION OF PILE DURING WELDING.

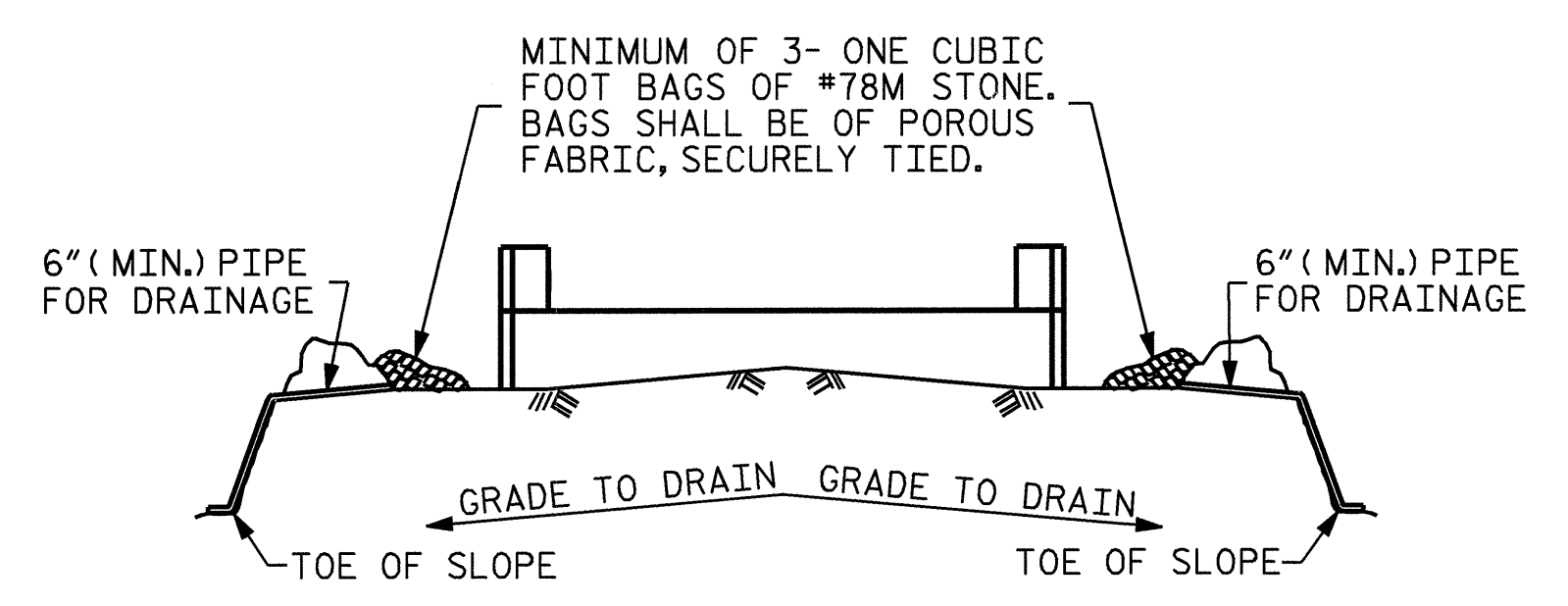


ALL BAR DIMENSIONS ARE OUT TO OUT.

BILL OF MATERIAL					
BAR	NO.	SIZE	TYPE	LENGTH	WEIGHT
B1	8	9	1	44'-2"	1201
B2	2	5	STR	41'-8"	87
B3	8	4	STR	22'-1"	118
B4	11	4	STR	2'-5"	18
D1	24	6	STR	1'-6"	54
H1	20	4	5	5'-1"	68
H2	8	4	STR	2'-6"	13
S1	37	4	4	7'-5"	183
S2	37	4	2	3'-2"	78
S3	16	4	3	6'-6"	69
U1	4	4	6	4'-5"	12
V1	32	4	STR	4'-2"	89
REINFORCING STEEL					1990 LBS.
CLASS A CONCRETE BREAKDOWN					
POUR 1 - CAP AND LOWER PORTION OF WINGS					11.4 C.Y.
POUR 2 - UPPER PORTION OF WINGS					1.0 C.Y.
POUR 3 - LATERAL GUIDES					0.1 C.Y.
CLASS A CONCRETE TOTAL					12.5 C.Y.
HP 12 x 53 STEEL PILES					
NO. 8					360 LIN. FEET



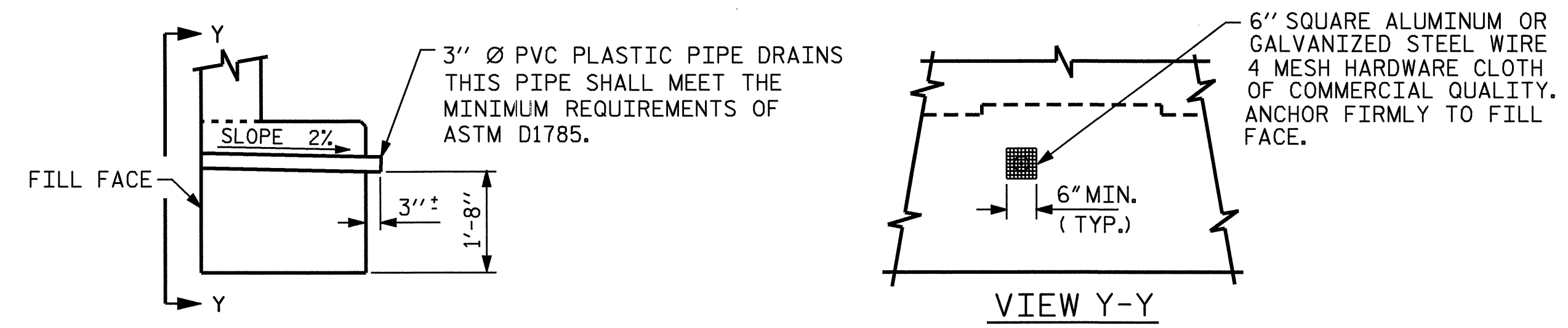
ELEVATION OF WING
LEFT WING SHOWN, RIGHT WING SIMILAR



BAGGED STONE AND PIPE SHALL BE PLACED IMMEDIATELY AFTER COMPLETION OF END BENT EXCAVATION. PIPE MAY BE EITHER CONCRETE, CORRUGATED STEEL, CORRUGATED ALUMINUM ALLOY, OR CORRUGATED PLASTIC. PERFORATED PIPE WILL NOT BE ALLOWED.

BAGGED STONE SHALL REMAIN IN PLACE UNTIL THE ENGINEER DIRECTS THAT IT BE REMOVED. THE CONTRACTOR SHALL REMOVE AND DISPOSE OF SILT ACCUMULATIONS AT BAGGED STONE WHEN SO DIRECTED BY THE ENGINEER. BAGS SHALL BE REMOVED AND REPLACED WHENEVER THE ENGINEER DETERMINES THAT THEY HAVE DETERIORATED AND LOST THEIR EFFECTIVENESS.

NO SEPARATE PAYMENT WILL BE MADE FOR THIS WORK AND THE ENTIRE COST OF THIS WORK SHALL BE INCLUDED IN THE UNIT CONTRACT PRICE BID FOR THE SEVERAL PAY ITEMS.



PIPE DRAIN DETAILS

NOTE: NO SEPARATE PAYMENT WILL BE MADE FOR FURNISHING AND INSTALLING THE PVC PLASTIC PIPE DRAINS, HARDWARE CLOTH AND FASTENERS. THE ENTIRE COST OF THIS WORK SHALL BE INCLUDED IN THE UNIT CONTRACT PRICE BID FOR THE SEVERAL PAY ITEMS.

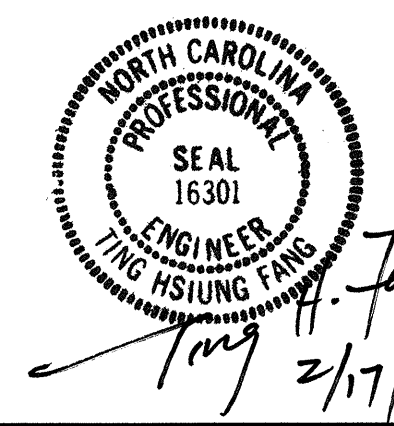
TEMPORARY DRAINAGE AT END BENT

PROJECT NO. B-4139
HARNETT COUNTY
STATION: 17+68.00 -L-

SHEET 2 OF 2

STATE OF NORTH CAROLINA
DEPARTMENT OF TRANSPORTATION
RALEIGH

**SUBSTRUCTURE
END BENT 2**



REVISIONS				SHEET NO.
NO.	BY:	DATE:	NO.	DATE:
1			3	
2			4	

TOTAL SHEETS: 22