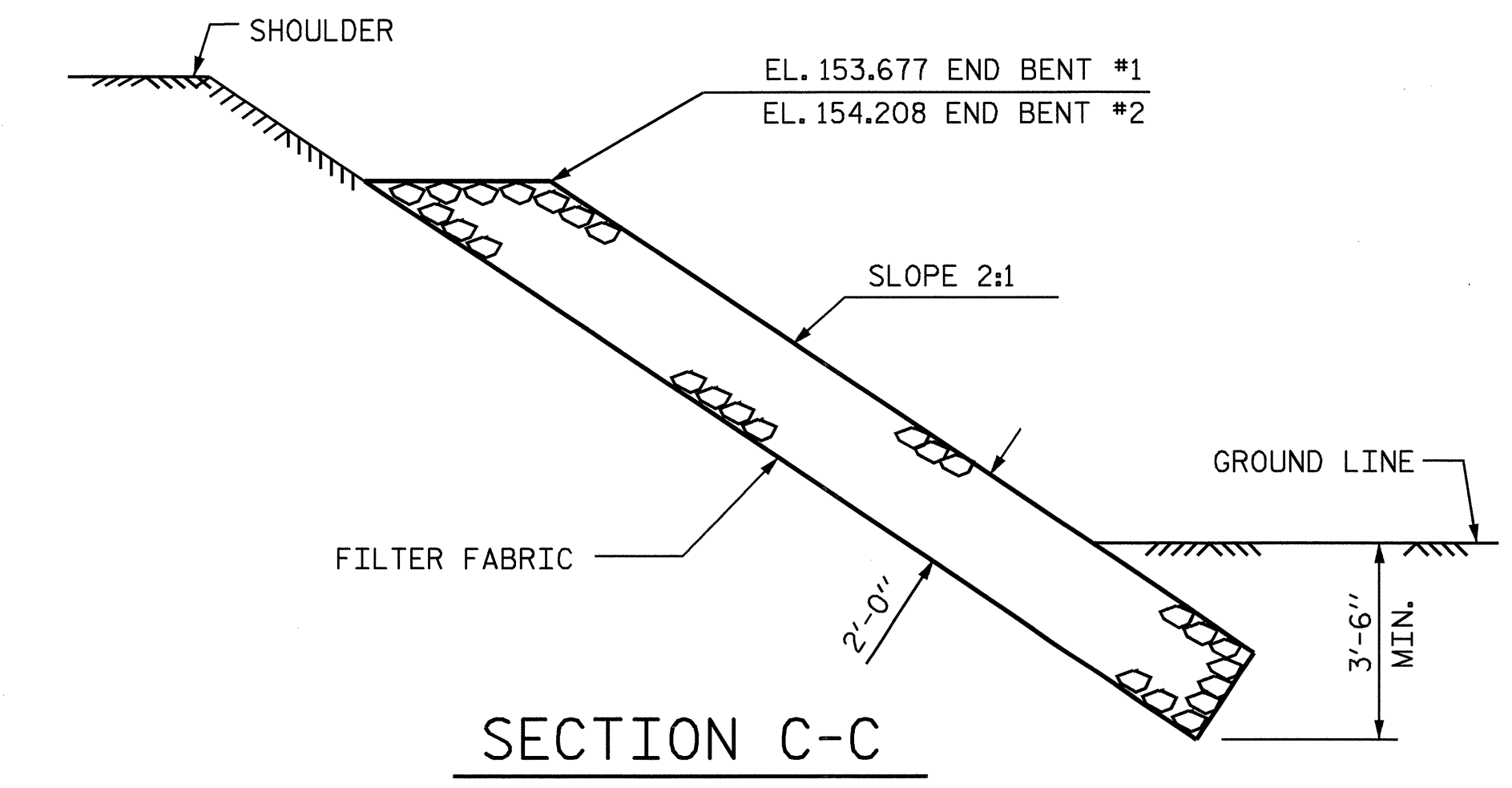
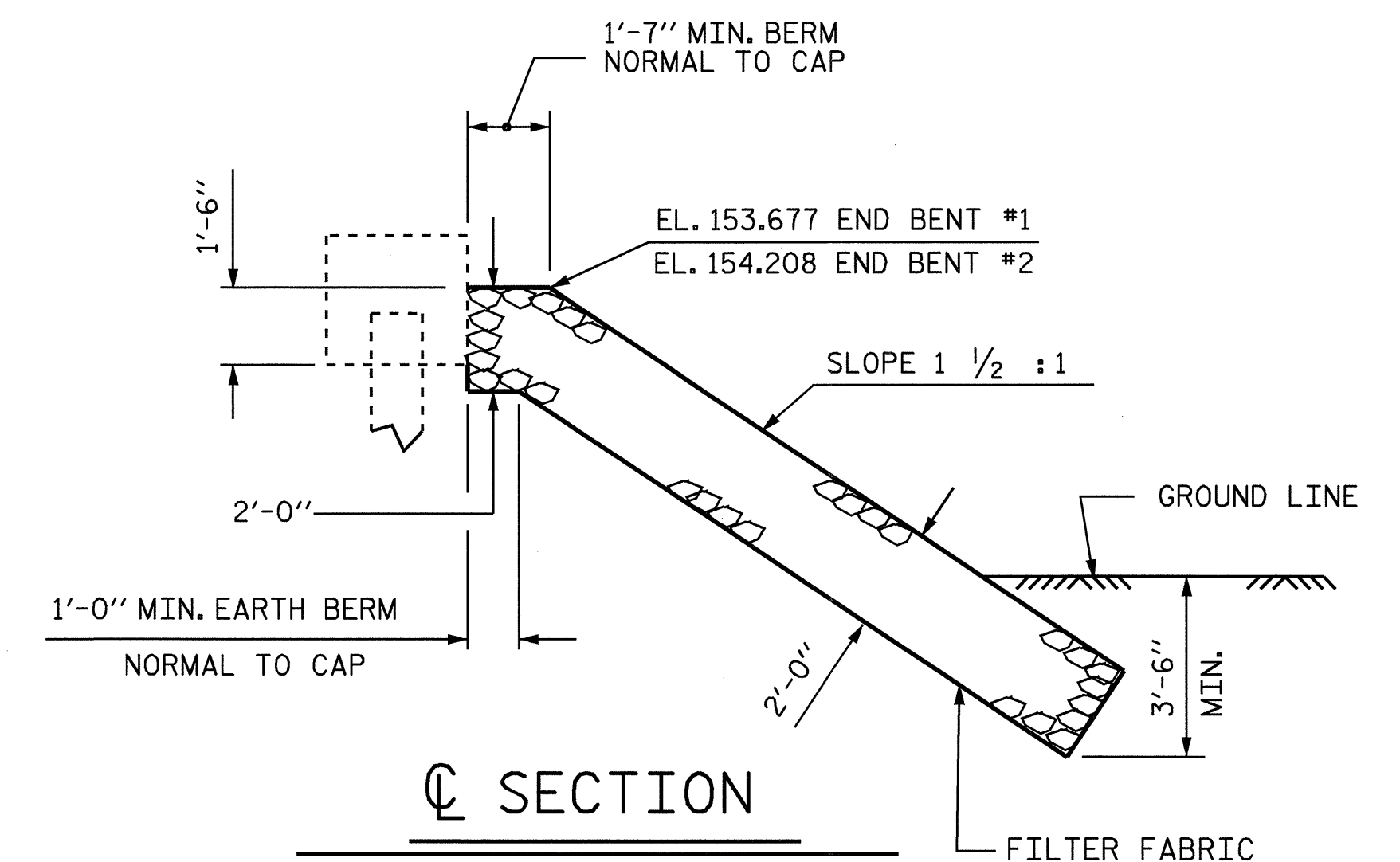


PLAN OF RIP RAP



SECTION C-C



SECTION C SECTION  
 BERM RIP RAP

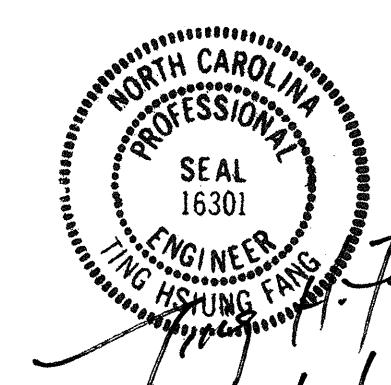
NOTE: FILTER FABRIC SHALL BE PLACED UNDER ENTIRE AREA OF RIP RAP

PROJECT NO. B-4139  
HARNETT COUNTY  
 STATION: 17+68.00 -L-

ESTIMATED QUANTITIES		
BRIDGE @ STA. 17+68.00 -L-	PLAIN RIP RAP CLASS II	FILTER FABRIC FOR DRAINAGE
	TONS	SQUARE YARDS
END BENT 1	110	125
END BENT 2	135	150

STATE OF NORTH CAROLINA  
 DEPARTMENT OF TRANSPORTATION  
 RALEIGH

STANDARD  
 RIP RAP DETAILS



REVISIONS						SHEET NO. S-19
NO.	BY:	DATE:	NO.	BY:	DATE:	
1			3			TOTAL SHEETS
2			4			22

DRAWN BY : N. Q. TRAN DATE : MAY-03  
 CHECKED BY : S. M. RASHIDI DATE : 5-21-03