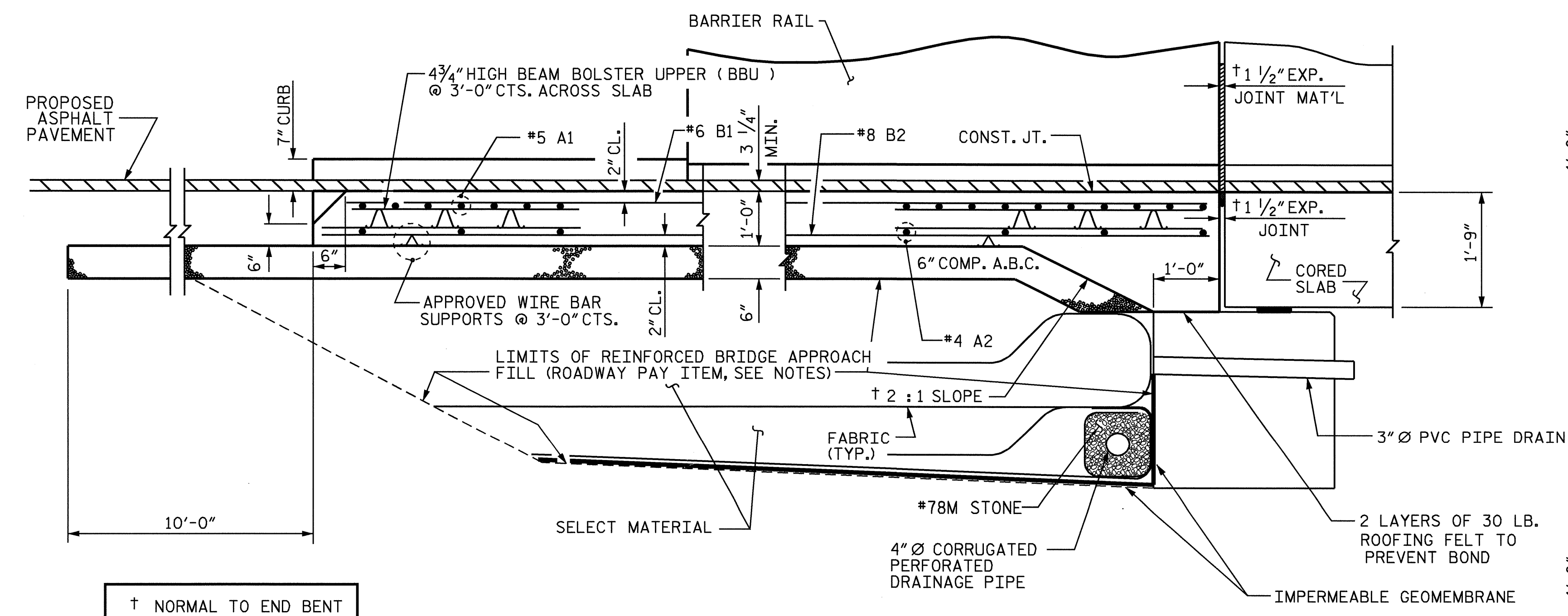


AT END BENT 1

AT END BENT 2

PLAN



SECTION THRU SLAB

NOTES

THE COST OF THE BARRIER RAIL ON THE APPROACH SLAB SHALL BE INCLUDED IN THE LUMP SUM CONTRACT PRICE BID FOR BRIDGE APPROACH SLABS.

TEMPORARY DRAINAGE AND TEMPORARY BERM AND SLOPE DRAINS WILL BE PAID FOR UNDER THE LUMP SUM PRICE FOR BRIDGE APPROACH SLAB.

AREA BETWEEN THE WINGWALL AND APPROACH SLAB SHALL BE GRADED TO DRAIN THE WATER AWAY FROM THE FILL FACE OF THE BRIDGE AND SHALL BE PAVED. SEE ROADWAY PLANS.

THE 6" COMP. A.B.C. SHALL EXTEND 10'-0" BEYOND THE END OF THE APPROACH SLAB AND 1'-0" OUTSIDE OF EACH EDGE OF SLAB.

THE CONTRACTOR MAY USE 4" TYPE HB ASPHALT CONCRETE BASE COURSE IN LIEU OF 6" COMP. A.B.C. IF THIS OPTION IS USED, THE BASE COURSE SHALL EXTEND 1'-0" BEYOND THE END OF THE APPROACH SLAB AND THE WIDTH SHALL BE THE SAME AS THAT OF THE APPROACH SLAB.

THE CONTRACTOR MAY USE 5" CLASS 'A' CONCRETE BASE IN LIEU OF 6" COMP. A.B.C. IF THIS OPTION IS USED, THE CONCRETE BASE SHALL EXTEND 1'-0" BEYOND THE END OF THE APPROACH SLAB AND THE WIDTH SHALL BE THE SAME AS THAT OF THE APPROACH SLAB. THE CONCRETE SHALL BE FINISHED TO A SMOOTH SURFACE AND A LAYER OF 30 LB ROOFING FELT SHALL BE PLACED BETWEEN THE CONCRETE BASE AND THE APPROACH SLAB TO PREVENT BOND. THE APPROACH SLAB SHALL NOT BE CAST UNTIL THE CONCRETE BASE HAS REACHED AN AGE OF THREE CURING DAYS.

FOR JOINT DETAILS, SEE "PRESTRESSED CONCRETE CORED SLAB UNIT" SHEETS.

THE JOINT AT THE END BENT SHALL BE SEALED AS SOON AS PRACTICAL AFTER THE CONSTRUCTION OF THE APPROACH SLABS.

APPROACH SLAB GROOVING IS NOT REQUIRED.

#4 A2 SPLICE LENGTH = 1'-9"

BILL OF MATERIAL

FOR ONE APPROACH SLAB (2 REQ'D)

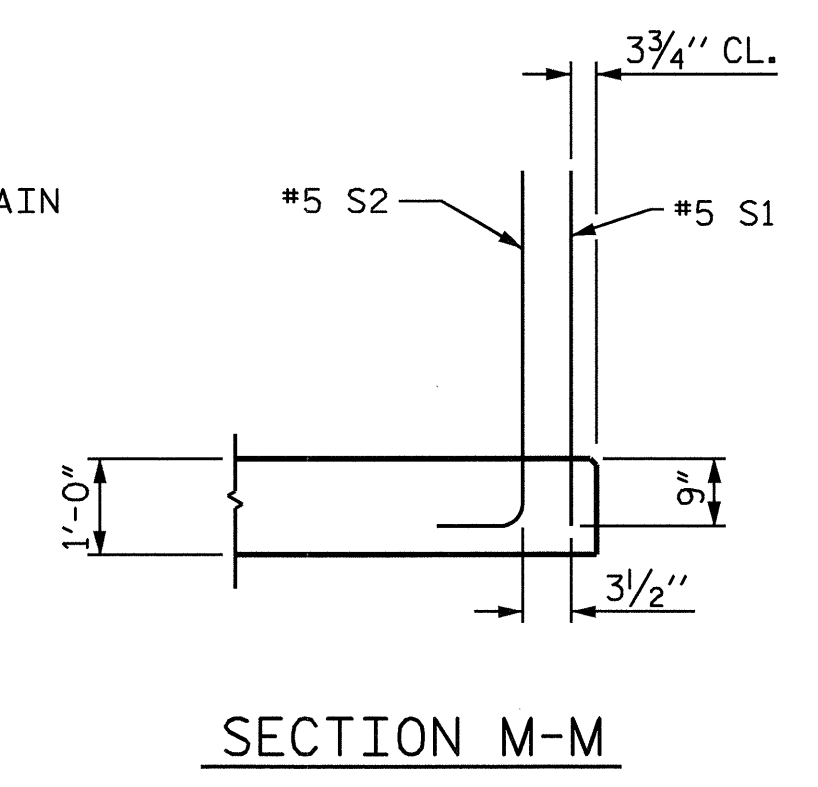
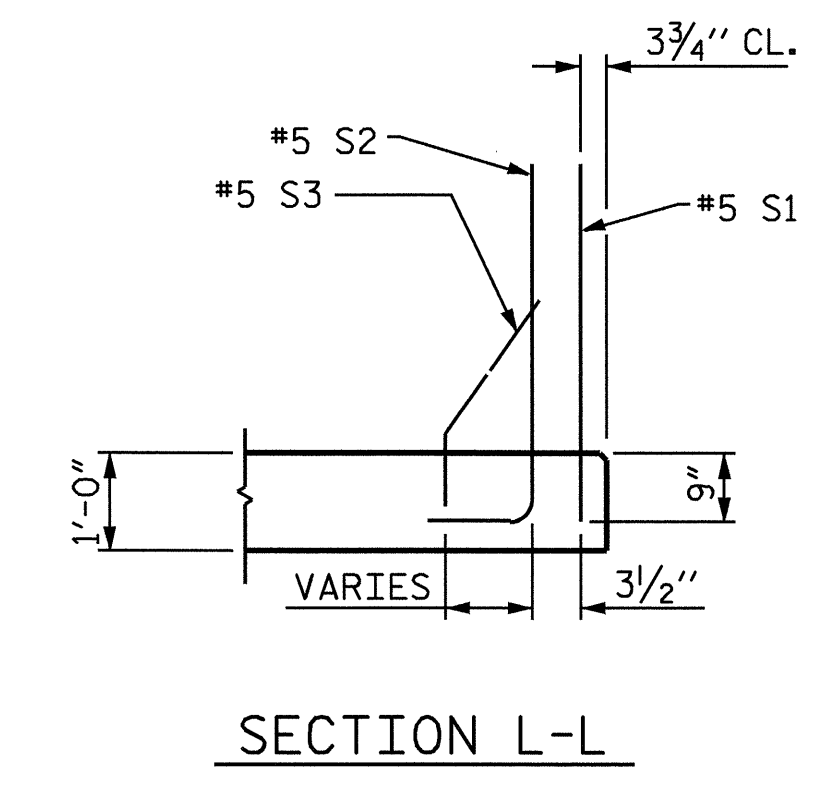
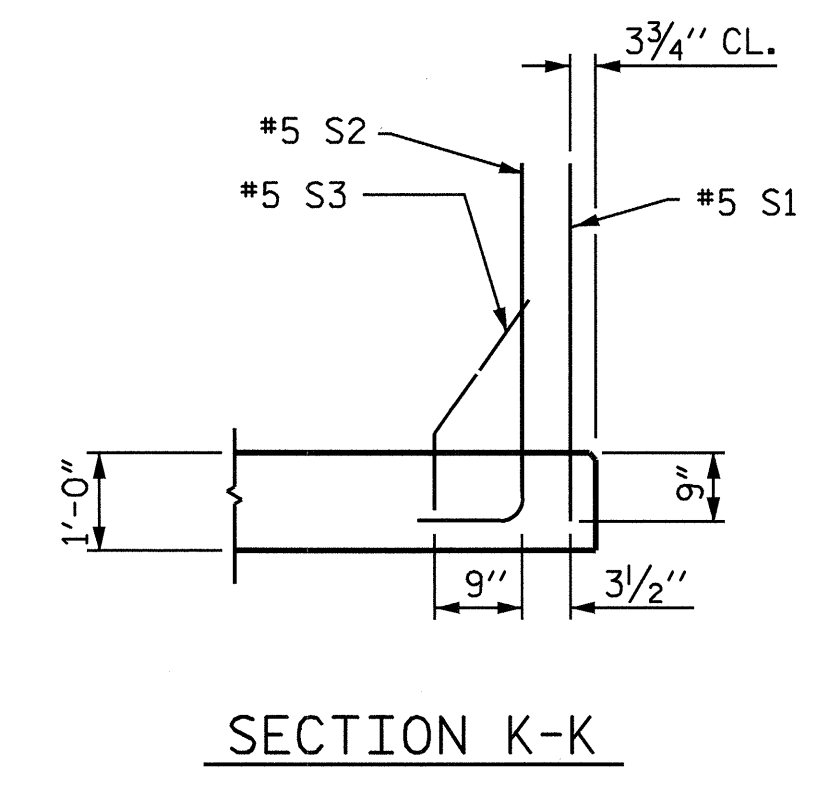
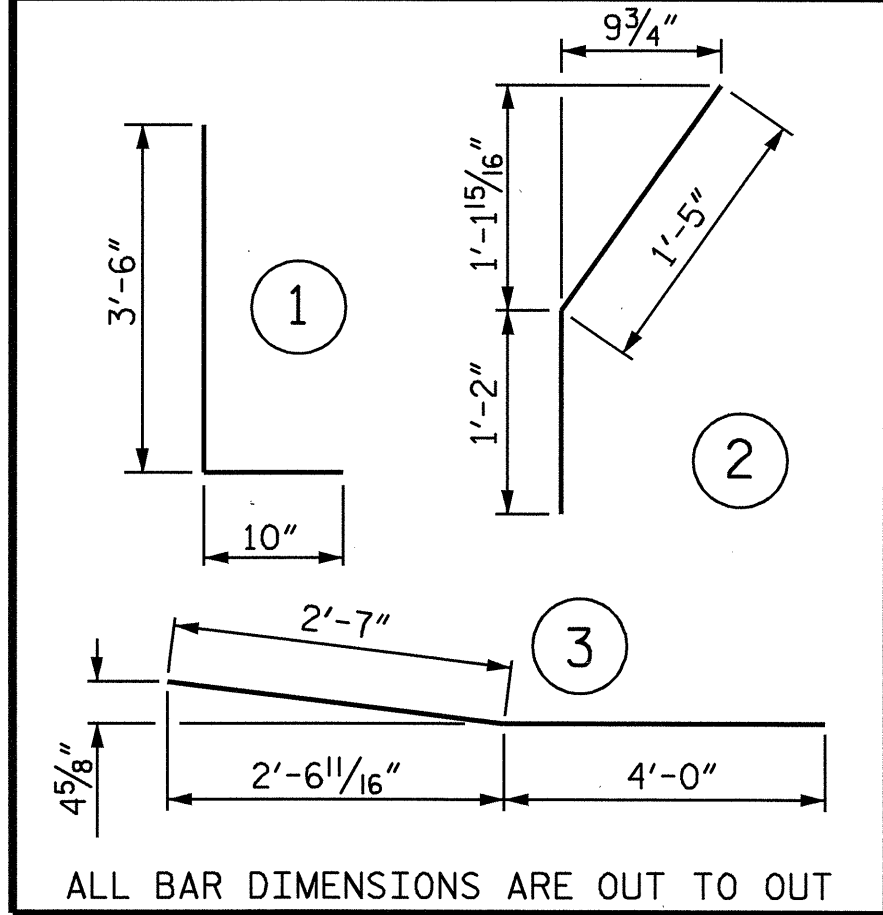
BAR	NO.	SIZE	TYPE	LENGTH	WEIGHT
*A1	49	#5	STR	35'- 1"	1793
A2	98	#4	STR	18'- 5"	1206
*B1	71	#6	STR	24'- 3"	2586
B2	71	#8	STR	24'- 8"	4676
*B3	14	#5	STR	11'- 8"	170
*B4	2	#5	3	6'- 7"	14
*S1	44	#5	STR	3'- 6"	161
*S2	44	#5	1	4'- 4"	199
*S3	18	#5	2	2'- 7"	48

REINFORCING STEEL	LBS.	5882
*EPOXY COATED REINFORCING STEEL	LBS.	4971

CLASS AA CONCRETE BREAKDOWN

POUR 1 SLAB & CURB	C. Y.	35.1
POUR 2 RAIL	C. Y.	1.9
CLASS AA CONCRETE	C. Y.	37.0

BAR TYPES

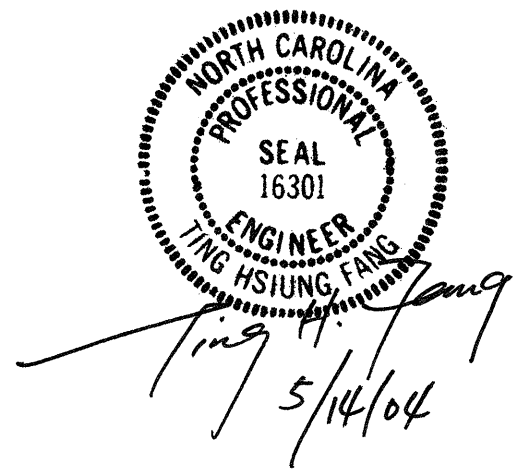


PROJECT NO. B-4139
HARNETT COUNTY
STATION: 17+68.00 -L-

SHEET 1 OF 3

STATE OF NORTH CAROLINA
DEPARTMENT OF TRANSPORTATION
RALEIGH
STANDARD
BRIDGE APPROACH SLAB
FOR PRESTRESSED
CONCRETE
CORED SLAB WITH
BARRIER RAIL

REVISIONS						SHEET NO.
BY:	DATE:	NO.	BY:	DATE:		S-20
1		3			TOTAL SHEETS	22
2		4				



ASSEMBLED BY: W.K. FISCHER	DATE: 5/7/04
CHECKED BY: S. WANCE	DATE: 5/13/04
DRAWN BY: LES 8/01	REV. 10/17/00 RWW/LES
CHECKED BY: RDR 8/01	REV. 7/10/01 LES/RDR
	REV. 5/7/03 RWW/JTE