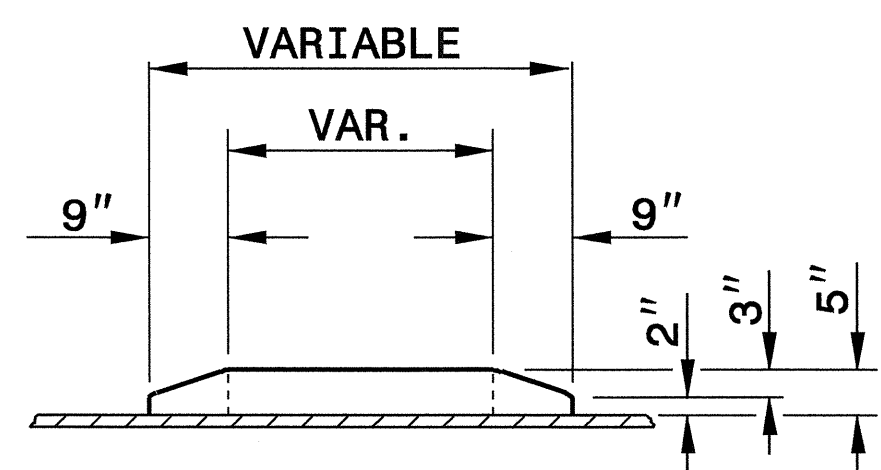
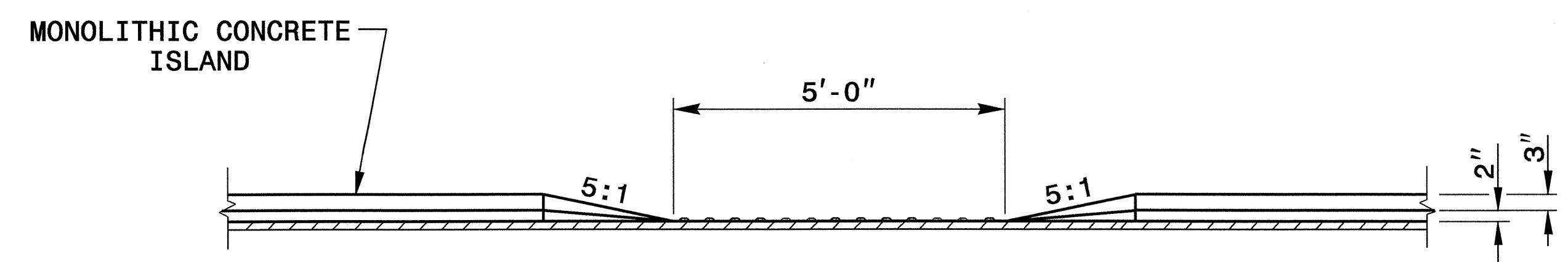


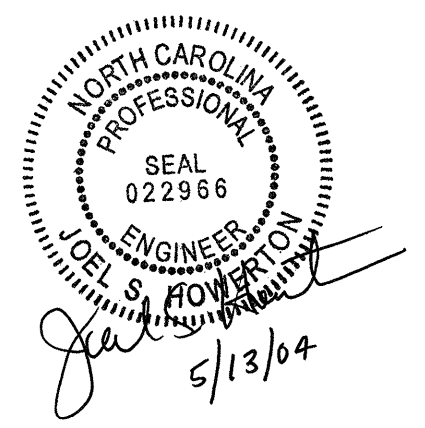
ISOMETRIC VIEW



**MONOLITHIC CONCRETE ISLAND
REFER TO STD.852.01**



ELEVATION



DESIGN SERVICES UNIT STANDARDS AND SPECIAL DESIGN	
Office 919-250-4128	FAX 919-250-4119
CROSSWALK THRU MONOLITHIC ISLAND	
ORIGINAL BY: T.Spell	DATE: 2-5-02
MODIFIED BY:	DATE:
CHECKED BY: C.P. [Signature]	DATE: 4-12-04
FILE SPEC.: w:details\stand\island.eng.dgn	

08-APR-2004 11:05
 W:\S:\4010\Stand\stand\island.eng.dgn
 T.Spell AT 05:20:55