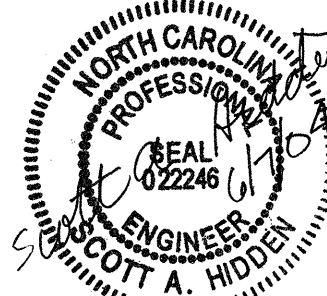
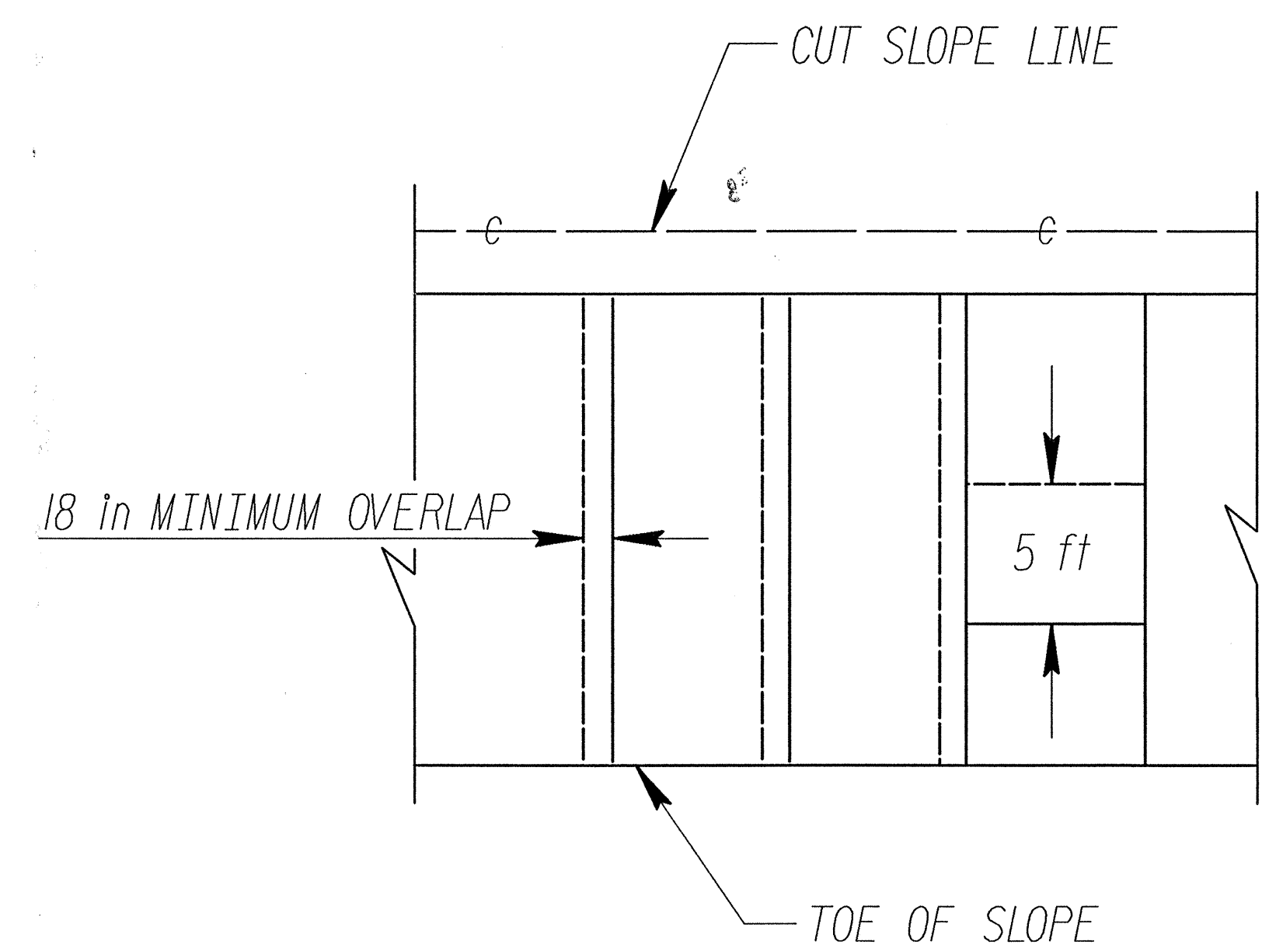
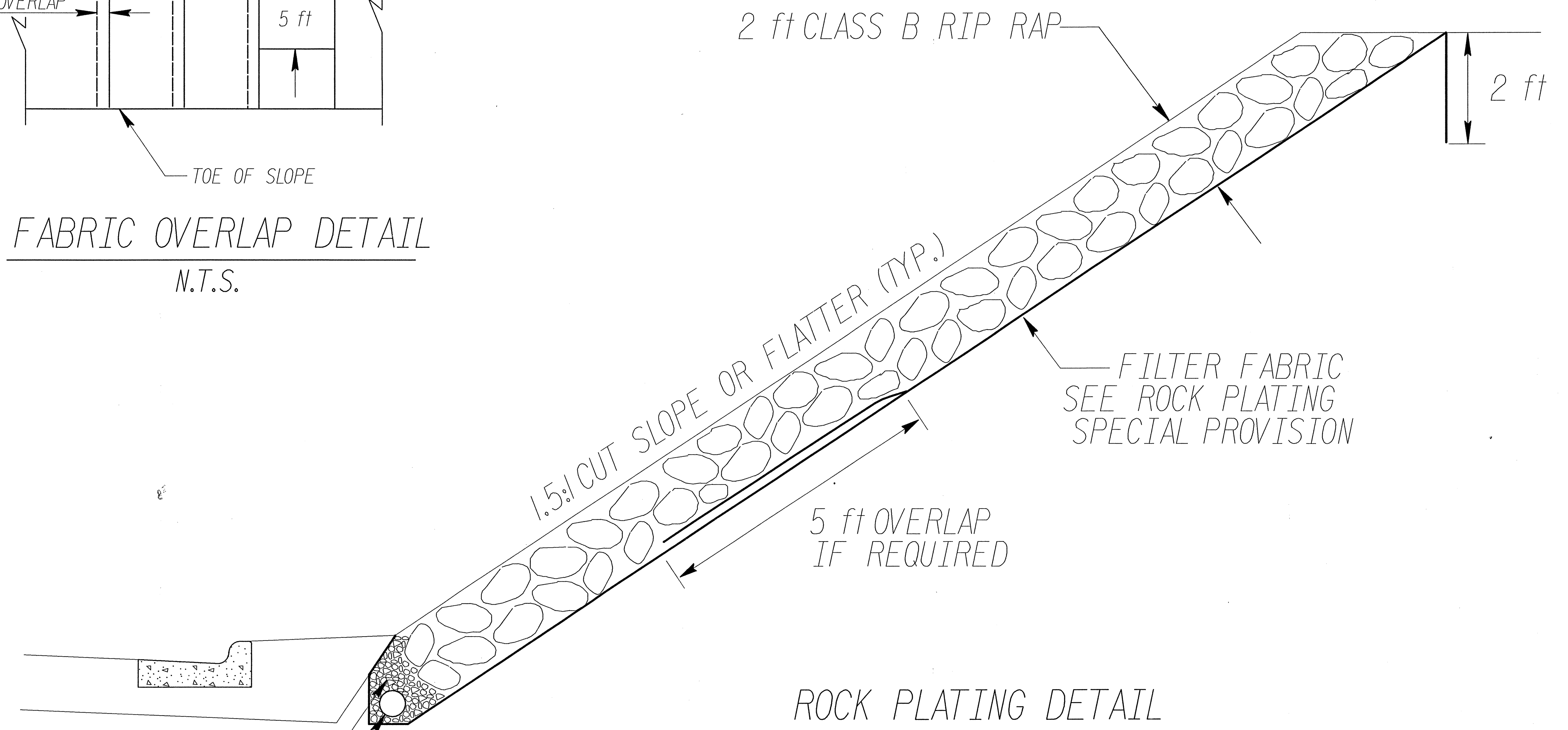


PROJECT REFERENCE NO. B-3157	SHEET NO. 2-T
SOIL & FOUNDATION DESIGN ENGINEER	
	



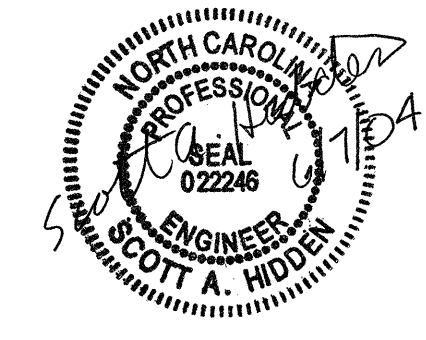
FABRIC OVERLAP DETAIL
N.T.S.



ROCK PLATING DETAIL
N.T.S.

6 in DIA. PERFORATED
DRAIN PIPE AS DIRECTED
BY THE ENGINEER

PROJECT B-3157
DAVIDSON COUNTY
STATIONS 10+00 TO 12+50 -Y4-, RT



DRAWN BY SAH DATE 11/2002
CHECKED BY CAK DATE 11/2002

STATE OF NORTH CAROLINA
DEPARTMENT OF TRANSPORTATION
RALEIGH
TYPICAL ROCK
PLATING CROSS
SECTION