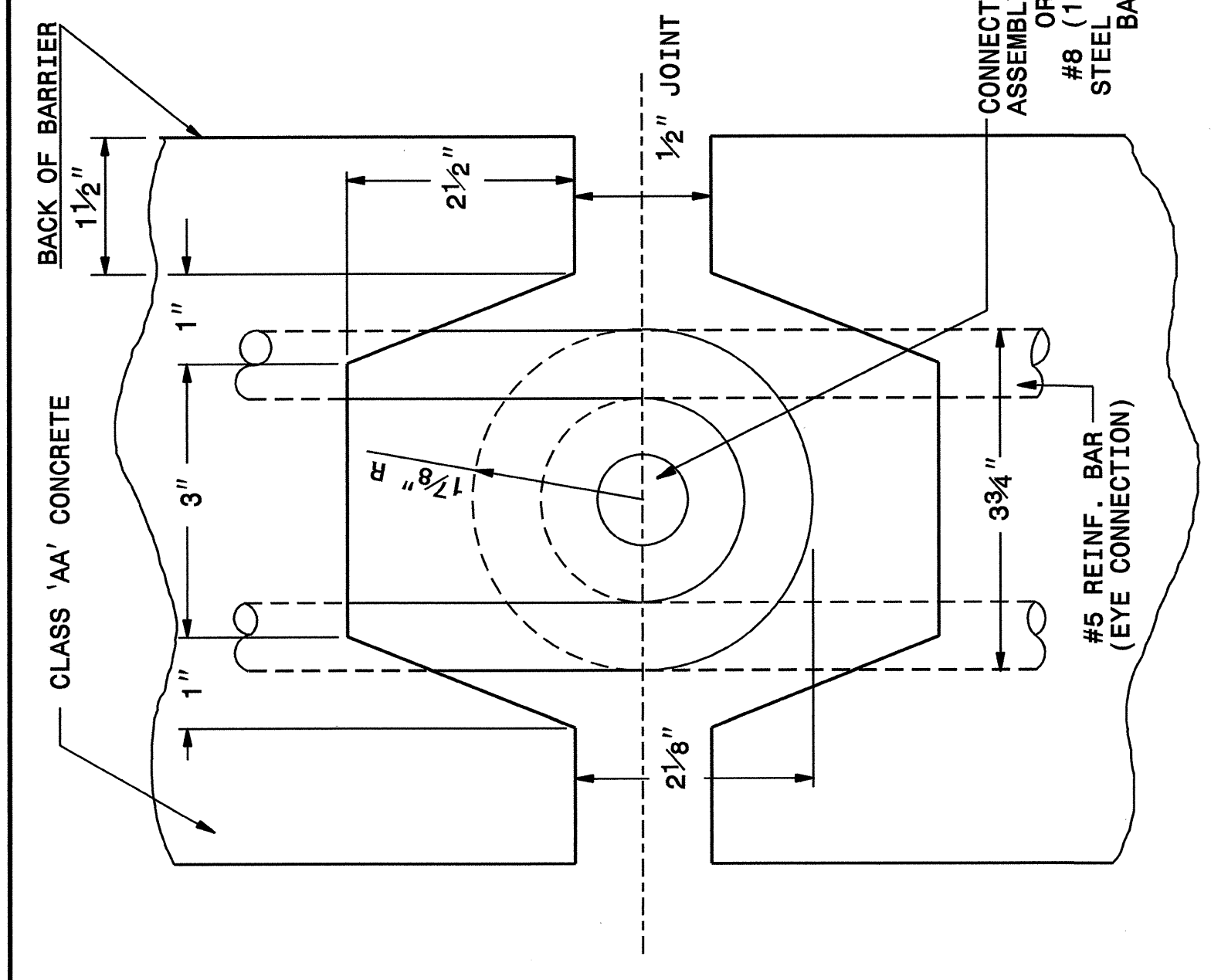


18-001-2002-1557
 State of North Carolina
 Dept. of Transportation
 Raleigh, N.C.

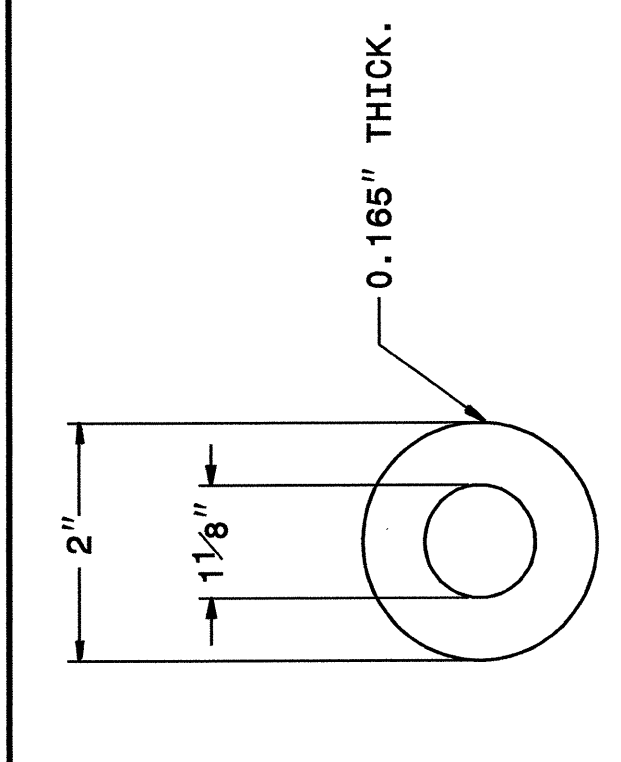
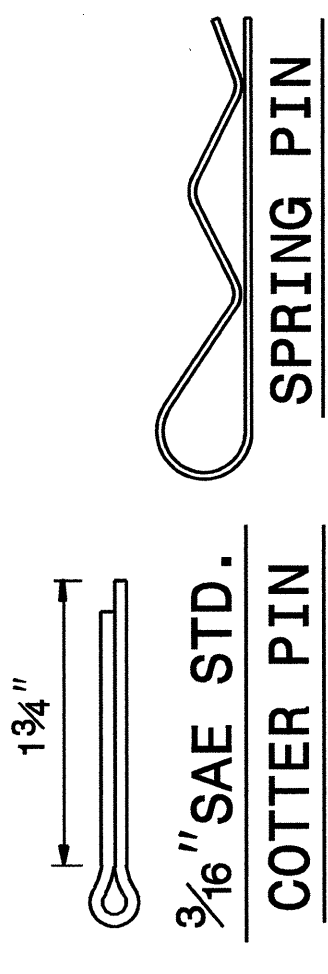
STATE OF NORTH CAROLINA
 DEPT. OF TRANSPORTATION
 DIVISION OF HIGHWAYS
 RALEIGH, N.C.

ENGLISH DETAIL DRAWING FOR
PRECAST REINFORCED CONCRETE BARRIER
 41" SINGLE FACED

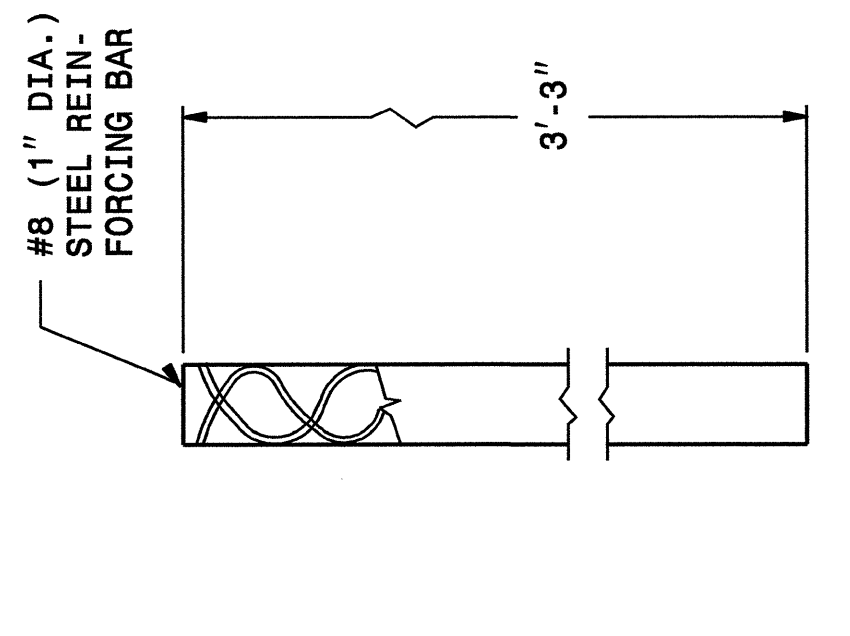
SHEET 7 OF 8
857D01



GROOVE END AND
 PIN & EYE CONNECTION DETAILS

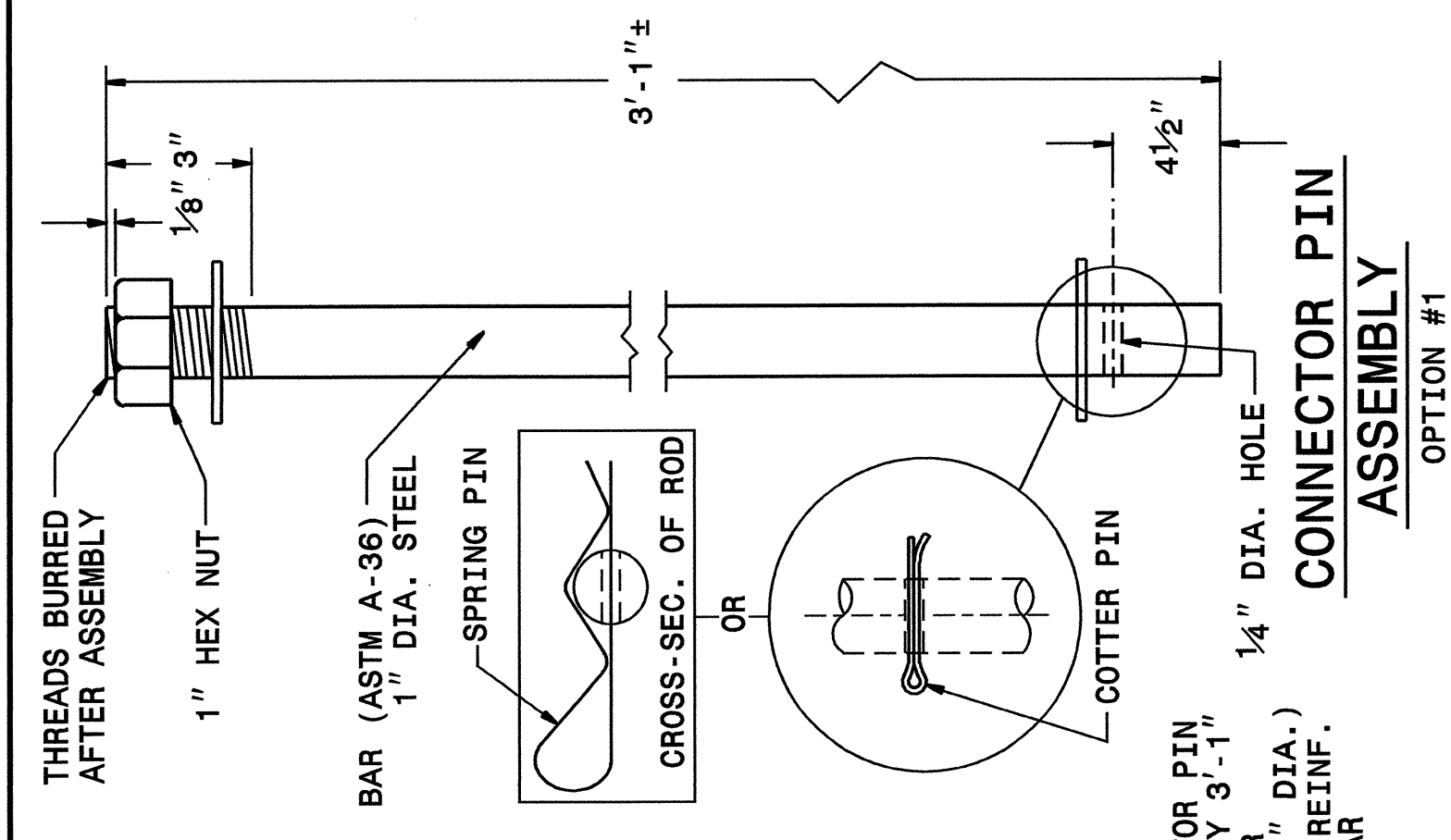


PLAIN GALVANIZED
 STEEL WASHER
 FOR 1" PIN

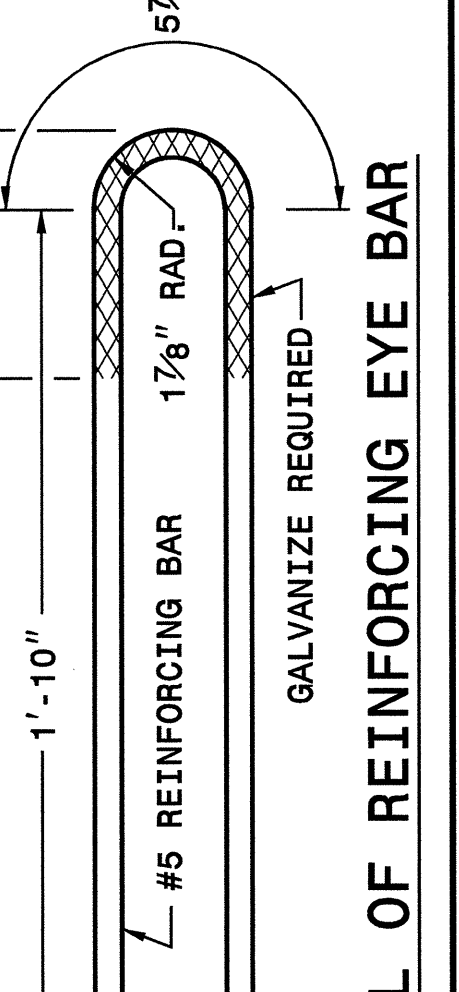


#8 REINFORCING
 STEEL BAR
 CONNECTOR PIN

OPTION #2 - REQUIRES
 SAME HARDWARE AS OPT. #1
 GALVANIZE ALL PARTS IN ACCORDANCE
 WITH ASTM A-153 SPEC.



OPTION #1
 GALVANIZE ALL PARTS IN ACCORDANCE
 WITH ASTM A-153 SPEC.



DETAIL OF REINFORCING EYE BAR

STATE OF NORTH CAROLINA
 DEPT. OF TRANSPORTATION
 DIVISION OF HIGHWAYS
 RALEIGH, N.C.

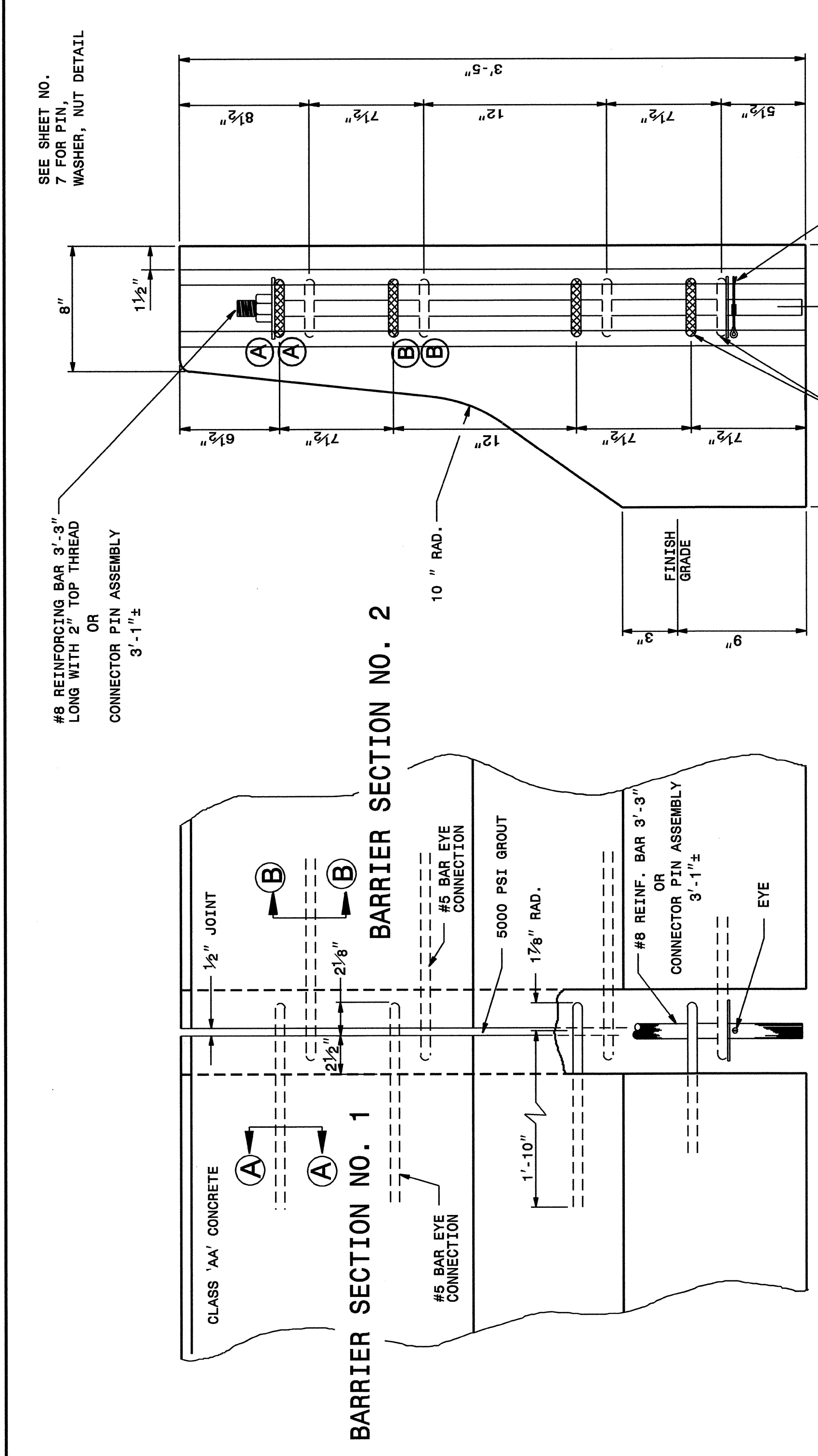
ENGLISH DETAIL DRAWING FOR
PRECAST REINFORCED CONCRETE BARRIER
 41" SINGLE FACED

SHEET 7 OF 8
857D01

STATE OF NORTH CAROLINA
 DEPT. OF TRANSPORTATION
 DIVISION OF HIGHWAYS
 RALEIGH, N.C.

ENGLISH DETAIL DRAWING FOR
PRECAST REINFORCED CONCRETE BARRIER
 41" SINGLE FACED

SHEET 8 OF 8
857D01



NOTE: SEE SHEET 9 FOR DETAILS OF
 CONNECTOR PIN ASSEMBLIES.

JOINT VIEW ELEVATION

STATE OF NORTH CAROLINA
 DEPT. OF TRANSPORTATION
 DIVISION OF HIGHWAYS
 RALEIGH, N.C.

ENGLISH DETAIL DRAWING FOR
PRECAST REINFORCED CONCRETE BARRIER
 41" SINGLE FACED

SHEET 8 OF 8
857D01



DESIGN SERVICES UNIT
STANDARDS AND SPECIAL DESIGN
 Office 919-250-4128 FAX 919-250-4119

SEE PLATE FOR TITLE

ORIGINAL BY: 2002 STD. 857.01 DATE: _____
 MODIFIED BY: E.E. WARD DATE: 5-23-02
 CHECKED BY: *[Signature]* DATE: _____
 FILE SPEC.: /usr/stds/02tdetail/eng/lish/85701/857d01.dgn