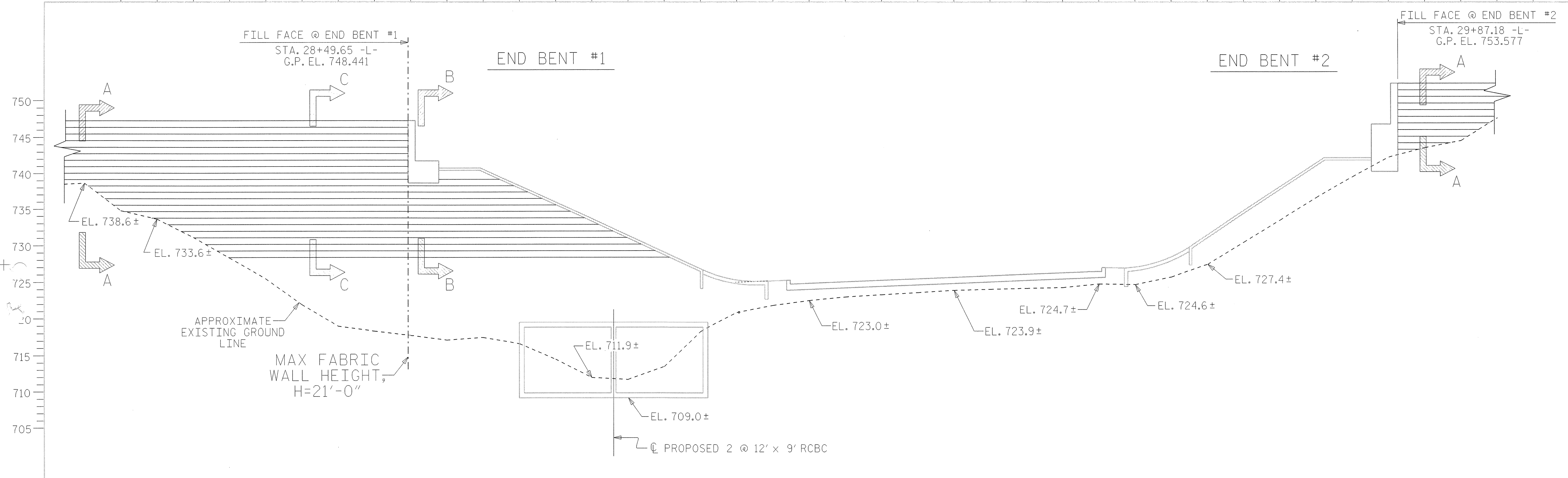
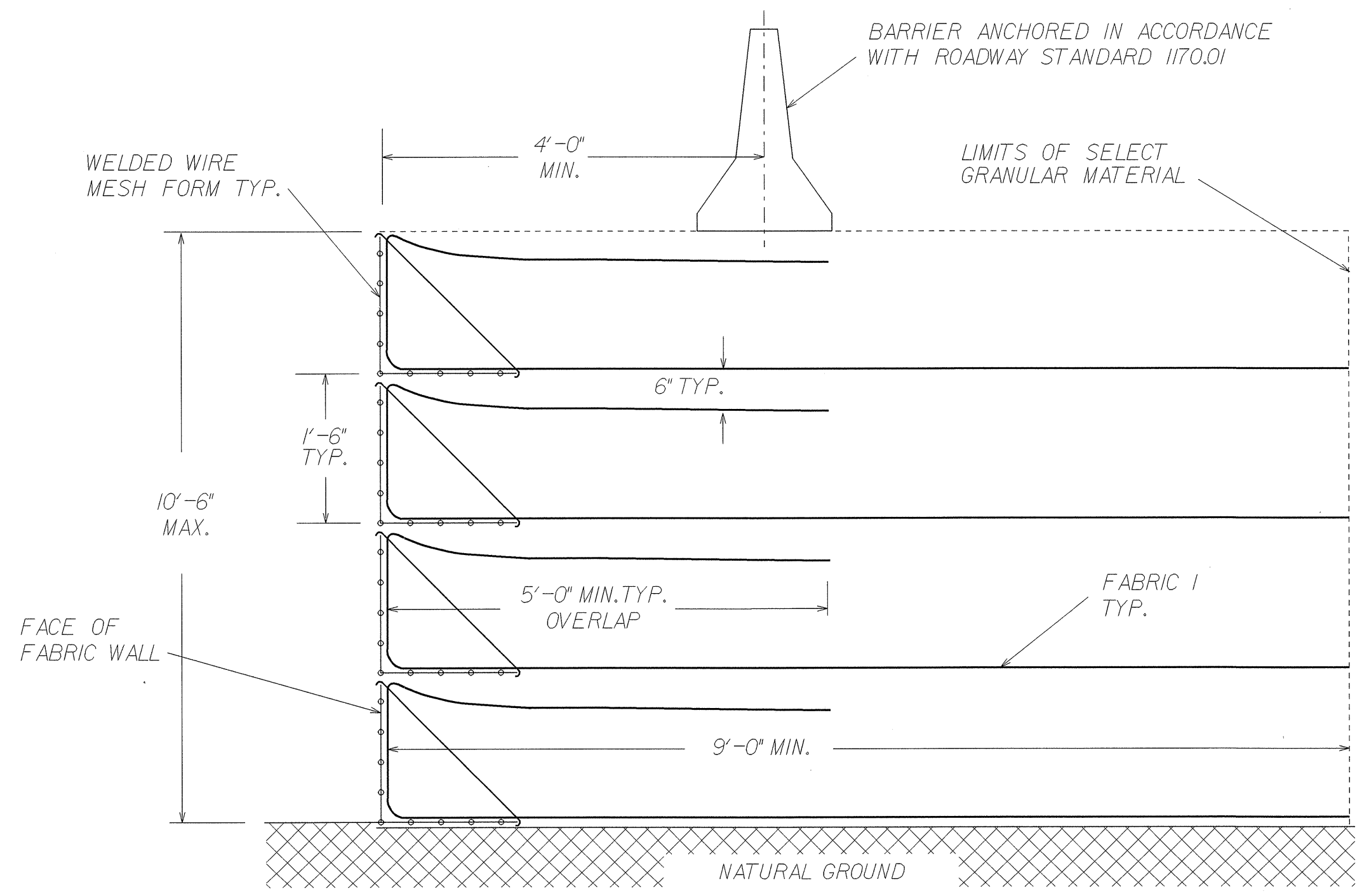


PROJ. REFERENCE NO. B-3157	SHEET NO. 2-RR	TOTAL SHEETS
STATE PROJ. NO.	F.A. PROJ. NO.	DESCRIPTION



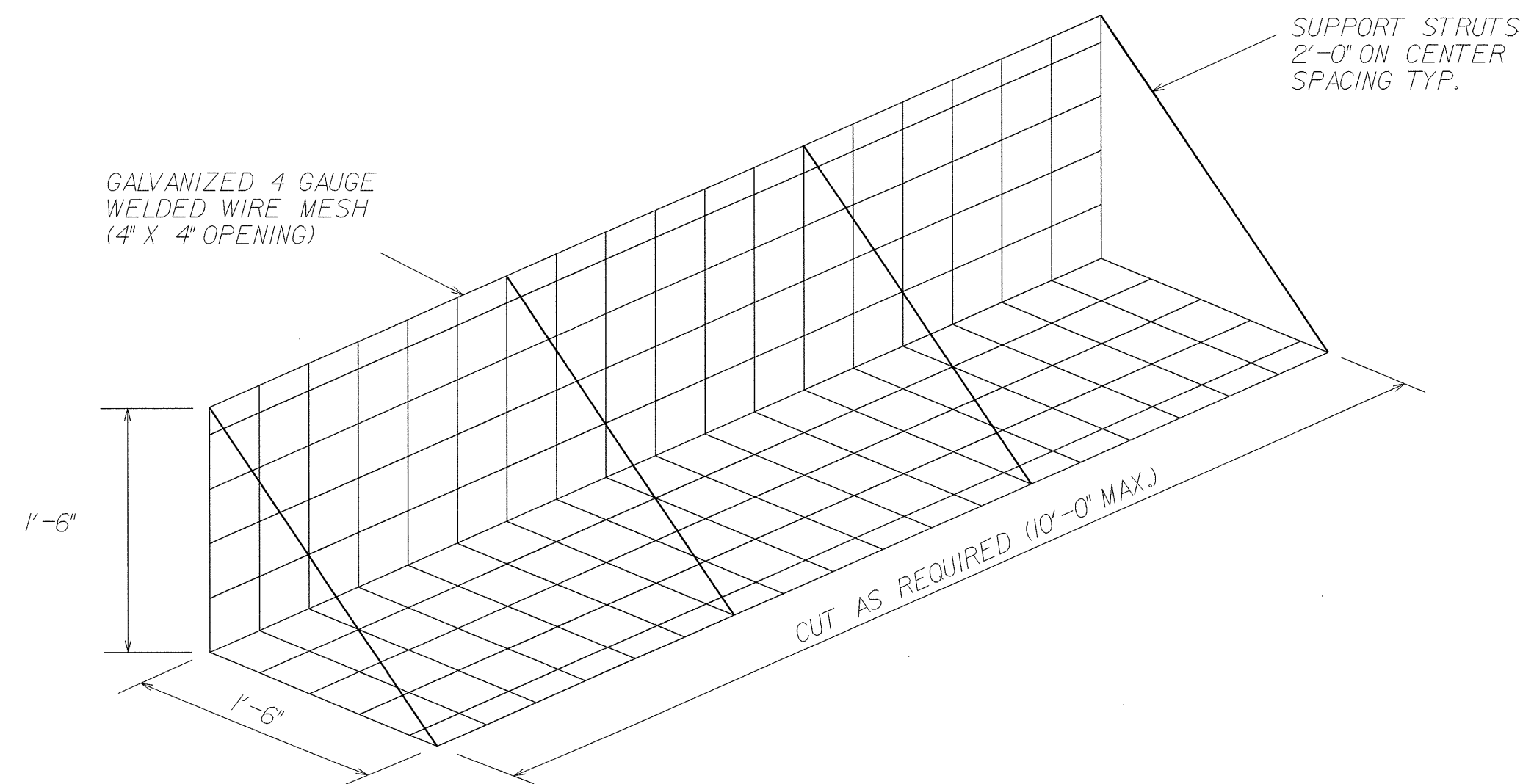
TYPICAL PROFILE SECTION ALONG LEFT LANE CONTROL LINE

NOTE: PILES NOT SHOWN FOR CLARITY.



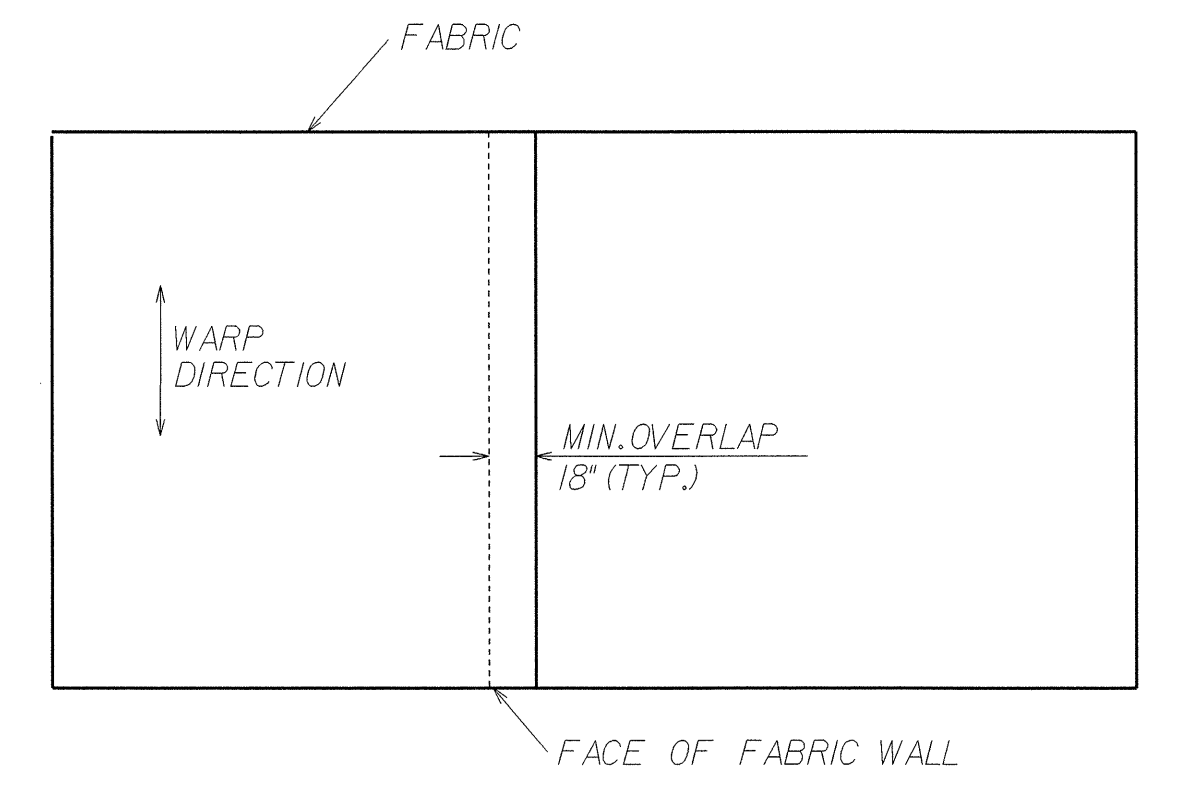
SECTION A-A:
TYPICAL FABRIC WALL CROSS SECTION
(STA. 23+75 -L- ± TO STA. 28+05 -L- ±;
STA. 29+88 -L- ± TO STA. 34+00 -L- ±)

N.T.S.



WELDED WIRE MESH FORM

N.T.S.



PLAN VIEW OF FABRIC OVERLAP

N.T.S.

PROJECT NO. B-3157
DAVIDSON COUNTY
STATION: SEE TYPICAL SECTIONS



STATE OF NORTH CAROLINA
DEPARTMENT OF TRANSPORTATION
RALEIGH
TEMPORARY FABRIC WALL PLAN AND DETAILS
SHEET 1 OF 2