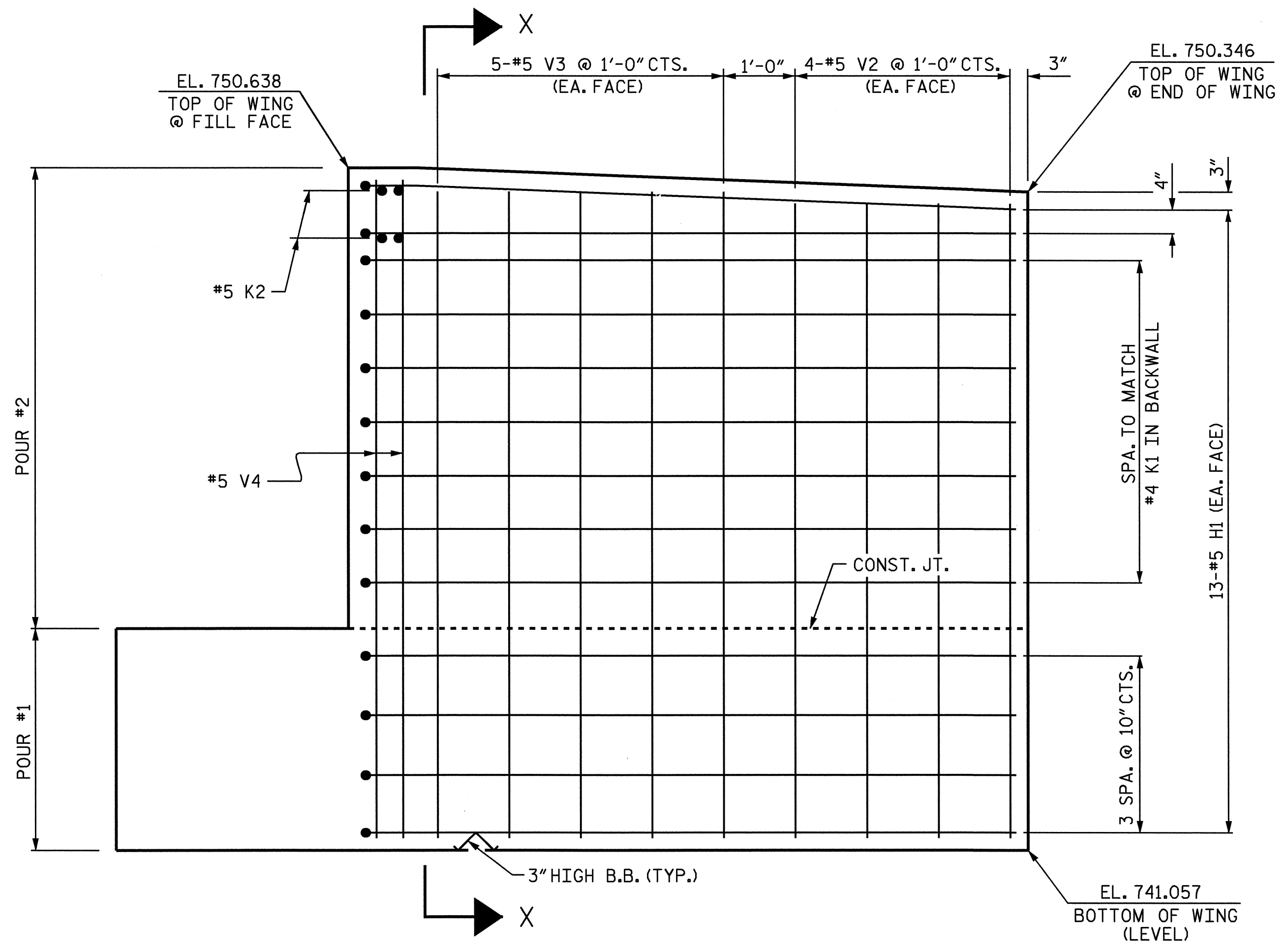
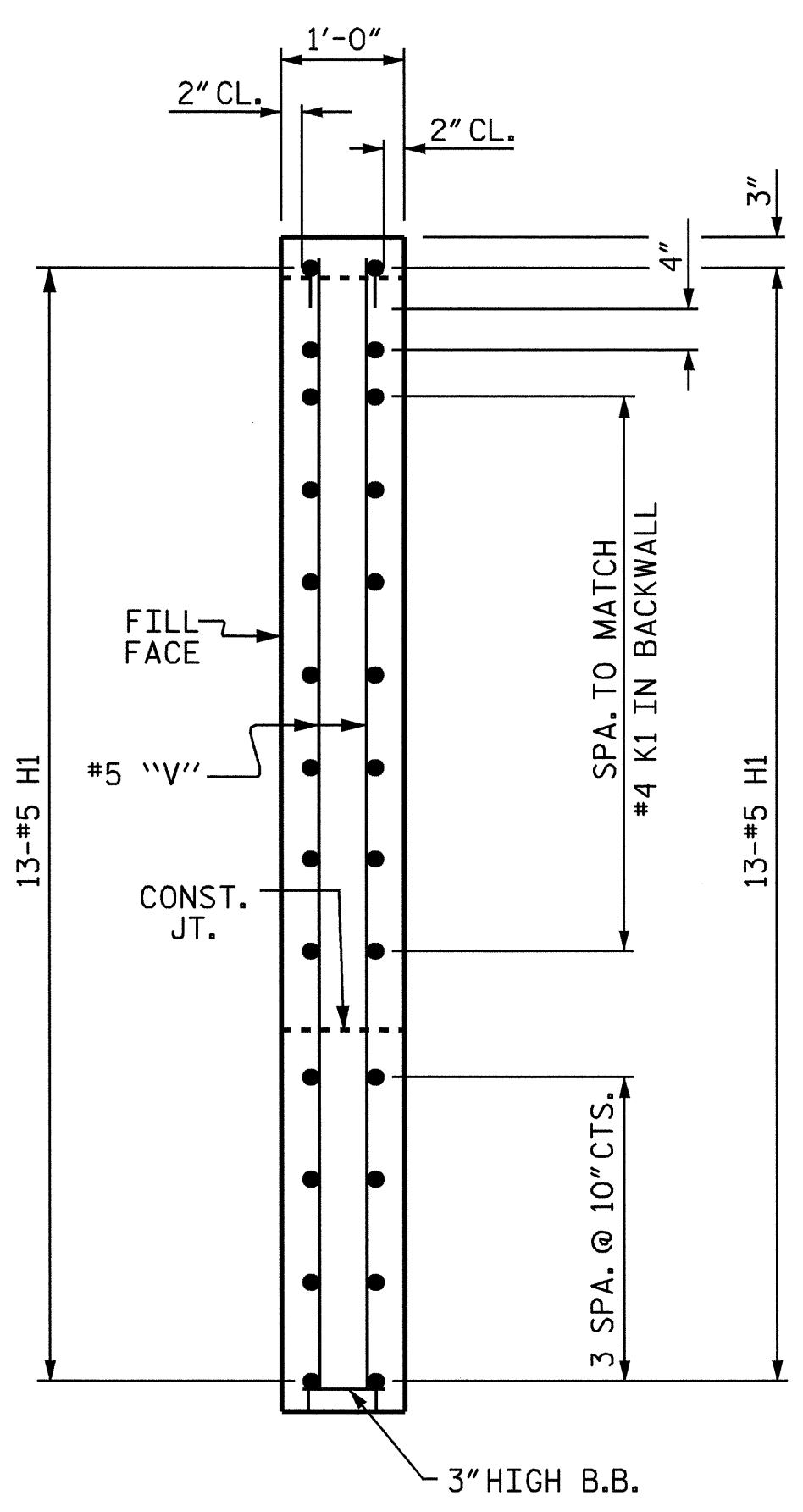


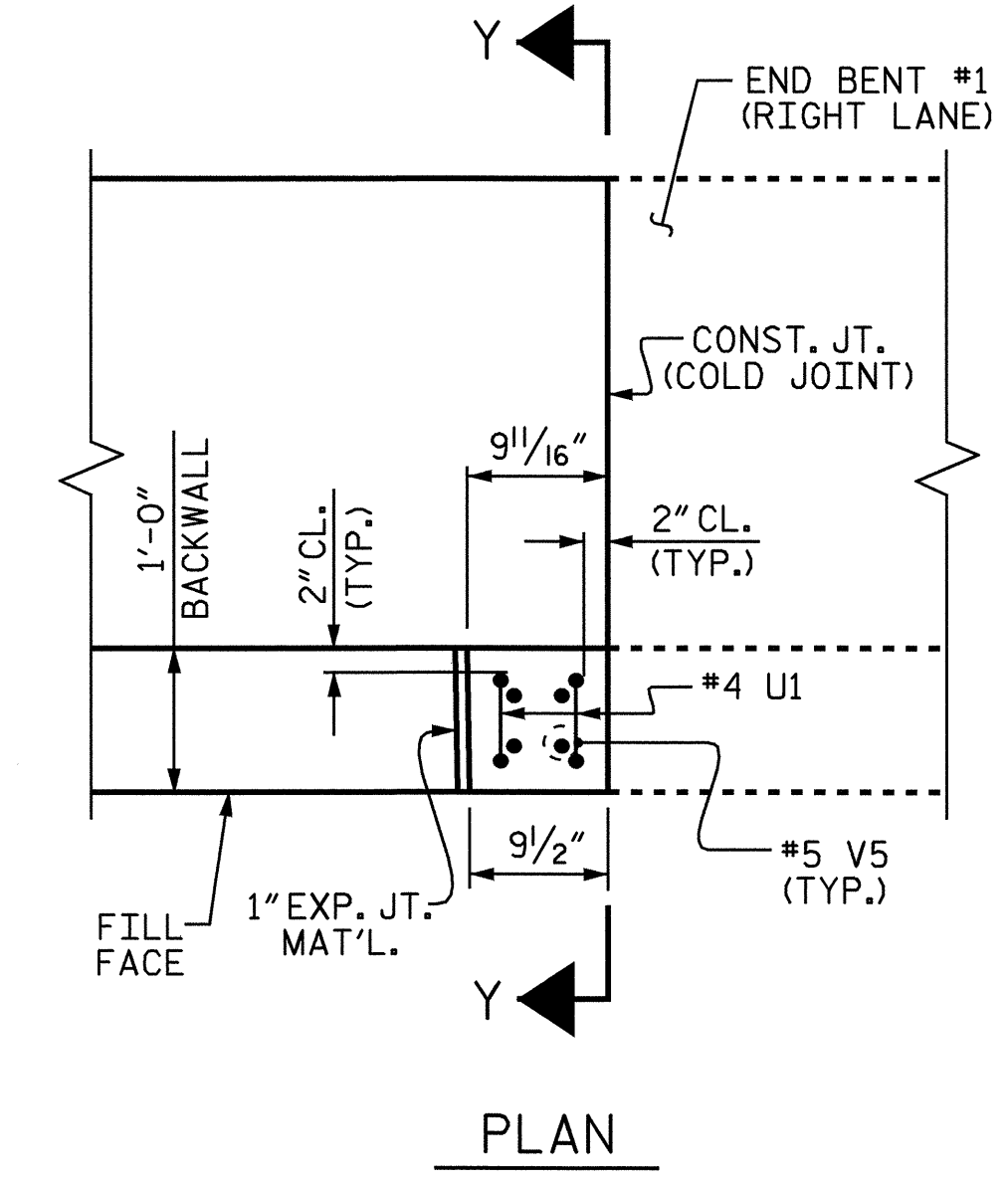
PLAN OF LEFT WING (W1)



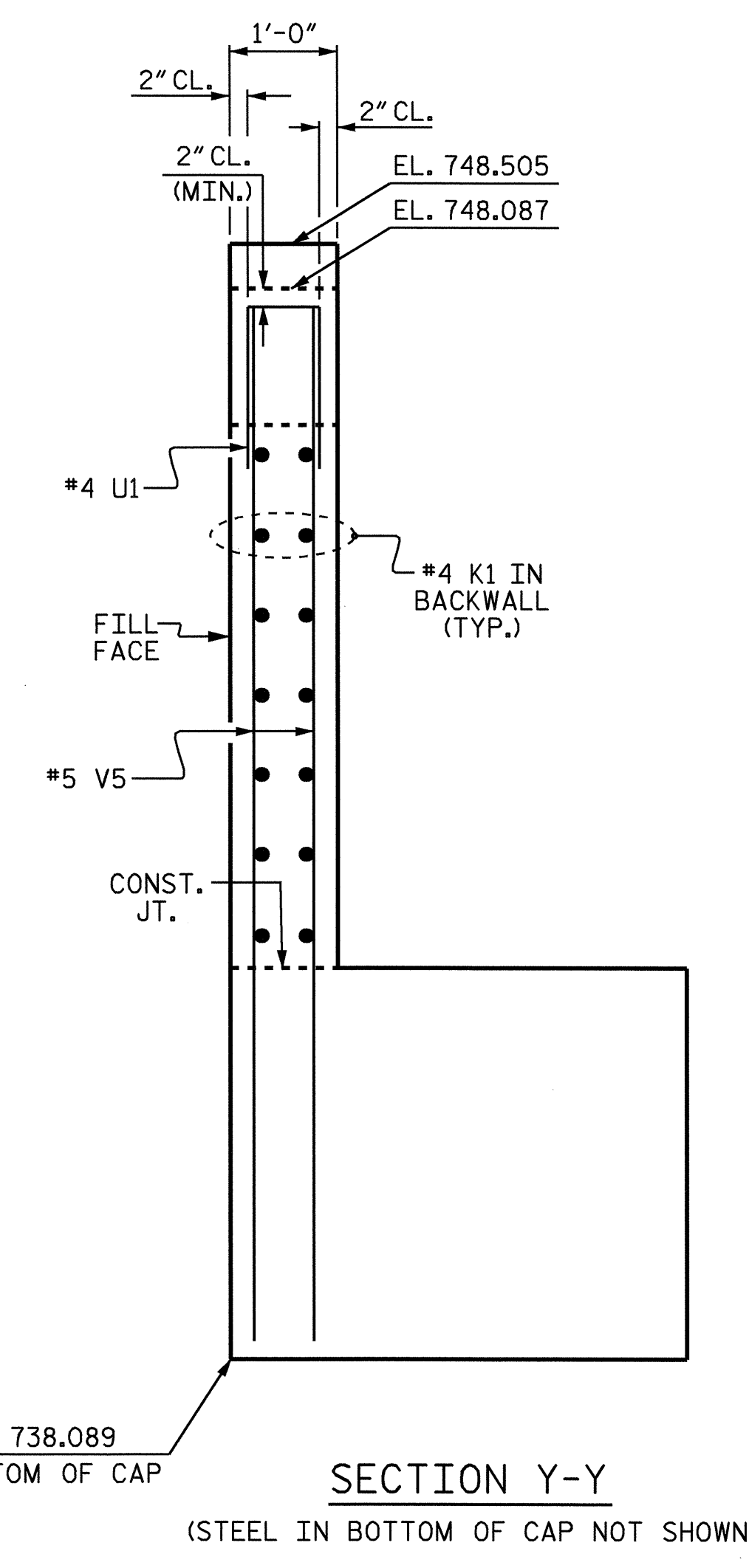
ELEVATION OF LEFT WING (W1)



SECTION X-X



DETAIL "B"



PROJECT NO. B-3157
DAVIDSON COUNTY
STATION: 29+25.37 -L-
SHEET 2 OF 3

STATE OF NORTH CAROLINA
DEPARTMENT OF TRANSPORTATION
RALEIGH
SUBSTRUCTURE
END BENT #1
LEFT LANE



REVISIONS						SHEET NO.
NO.	BY:	DATE:	NO.	BY:	DATE:	S-19
1			3			TOTAL SHEETS
2			4			56

DRAWN BY: T.L. AVERETTE DATE: 05-03
CHECKED BY: W.D. CRUTCHER DATE: 07-03