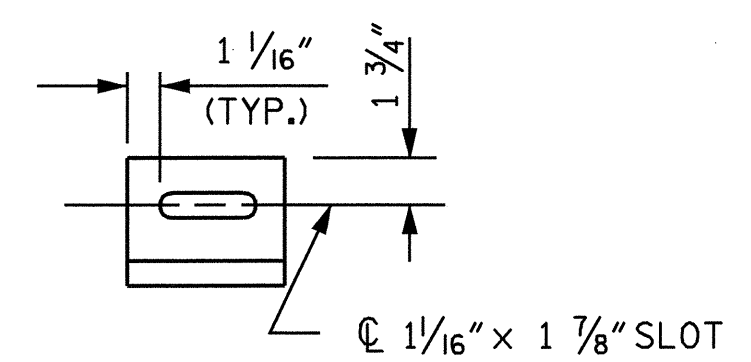
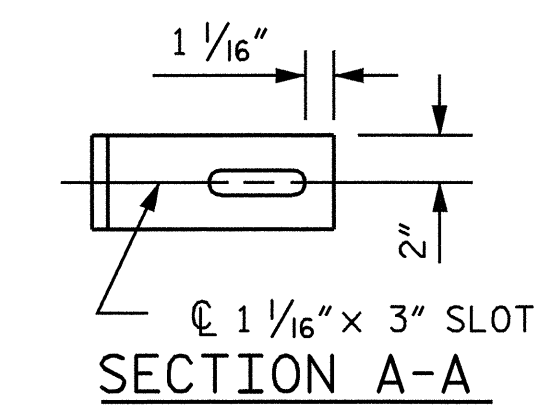


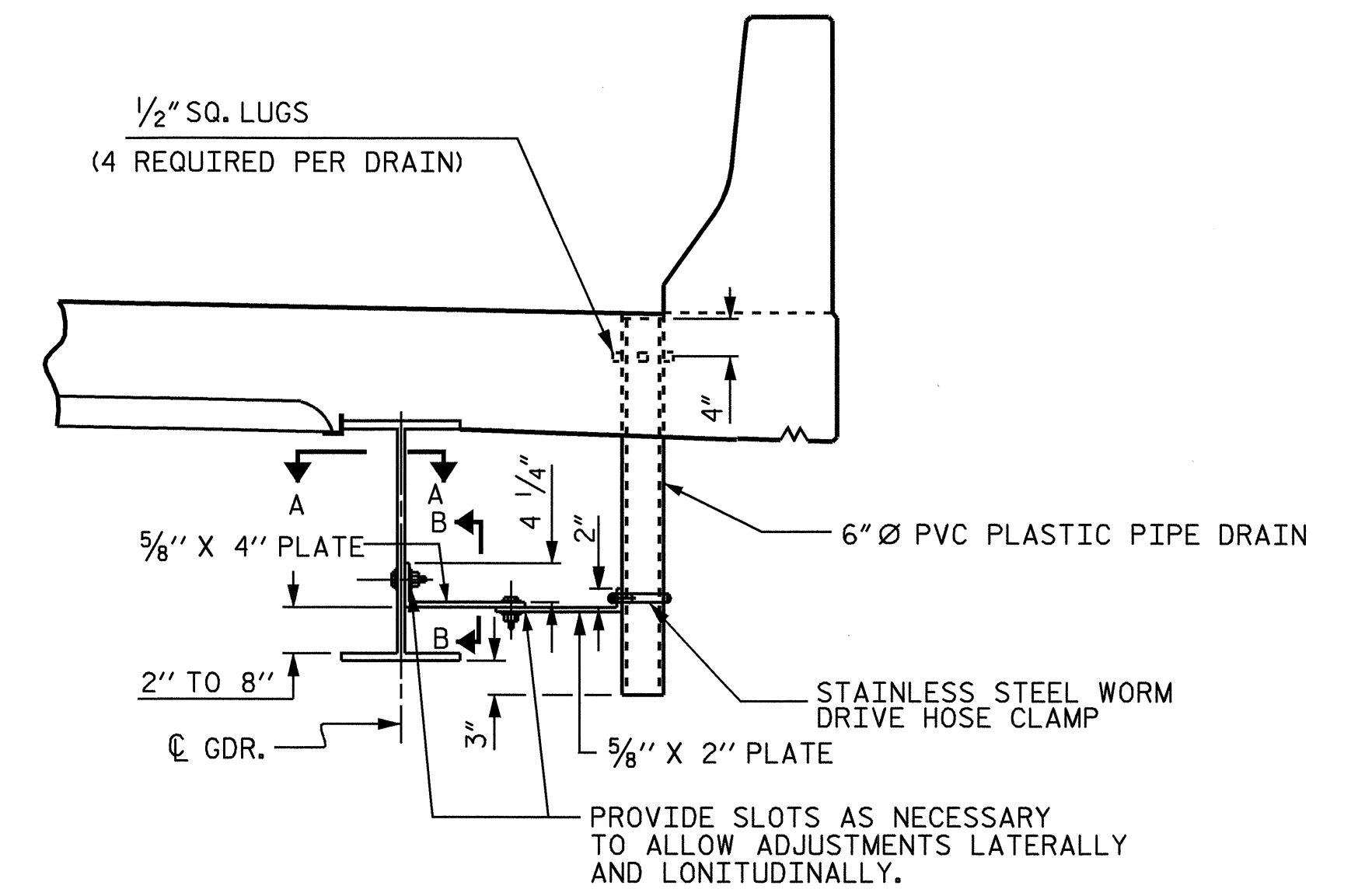
PLAN OF GIRDER @ END BENT



SECTION B-B



SECTION A-A



DRAIN CONNECTOR DETAIL

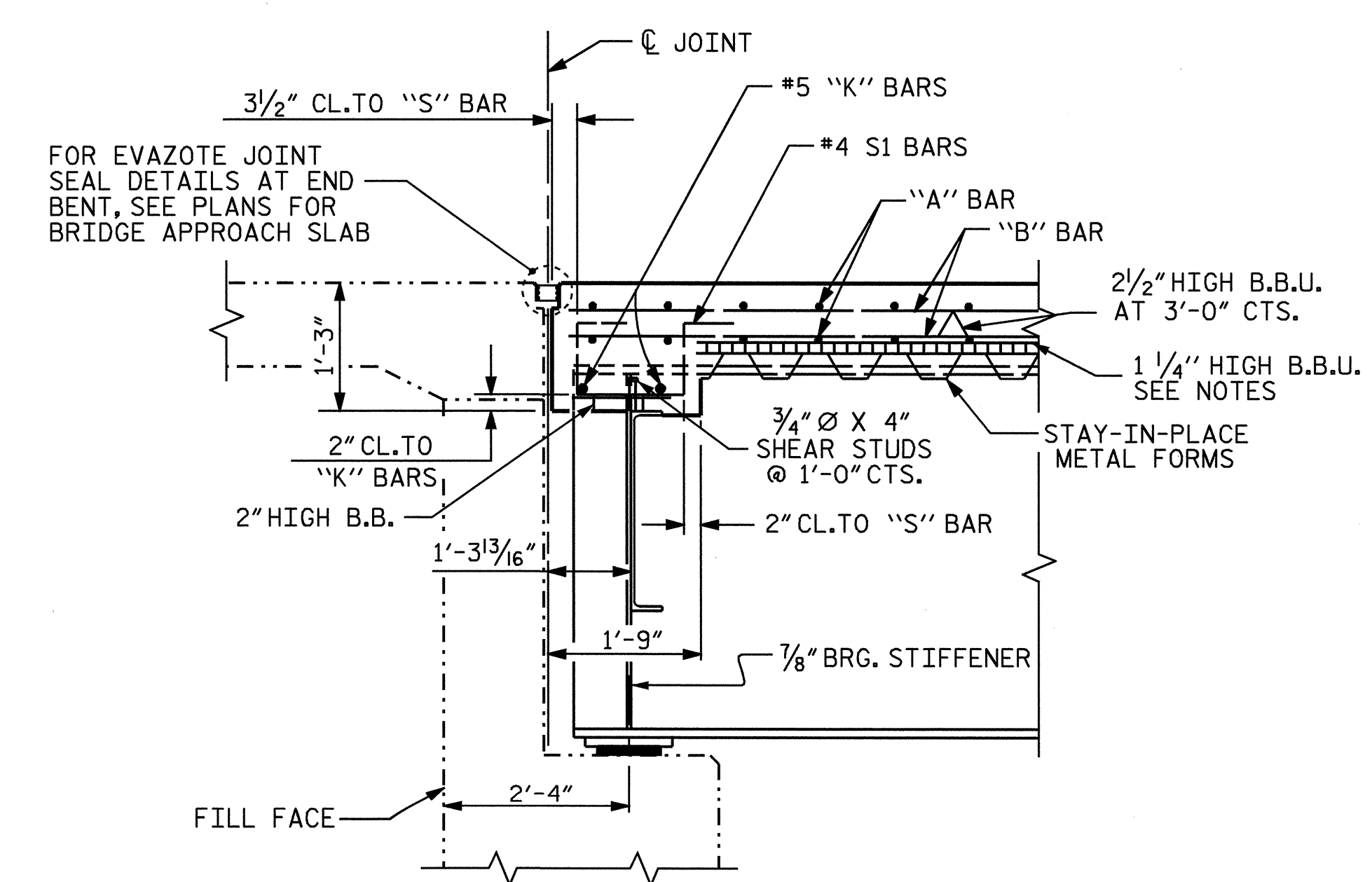
( 4 DRAINS REQUIRED )

COUPLING IN DRAIN PIPE WILL BE PERMITTED AS APPROVED BY THE ENGINEER.

TOP OF FLOOR DRAIN TO BE SET 3/8" BELOW SURFACE OF SLAB.

4 - 1/2" SQUARE LUGS TO BE GLUED TO THE PVC PLASTIC PIPE AT EQUAL SOACES AROUND THE PIPE DRAIN APPROXIMATELY 4" FROM THE TOP OF THE PIPE.

BOLT SIZE TO BE SAME AS DIAPHRAGM AND CROSSFRAME CONNECTIONS. STAINLESS STEEL WORM DRIVE HOSE CLAMP SHALL BE COMMERCIAL QUALITY.



SECTION THRU END BENT DIAPHRAGM

PROJECT NO. B-3157  
DAVIDSON COUNTY  
 STATION: 29+25.37 -L-

SHEET 2 OF 2

STATE OF NORTH CAROLINA  
 DEPARTMENT OF TRANSPORTATION  
 RALEIGH  
 SUPERSTRUCTURE  
 TYPICAL SECTION  
 DETAILS  
 RIGHT LANE



REVISIONS						SHEET NO.
NO.	BY:	DATE:	NO.	BY:	DATE:	S-34
1			3			TOTAL SHEETS
2			4			56

DRAWN BY : PEGGY ADKINS DATE : 2-03  
 CHECKED BY : M. M. PARSONS DATE : 5-03