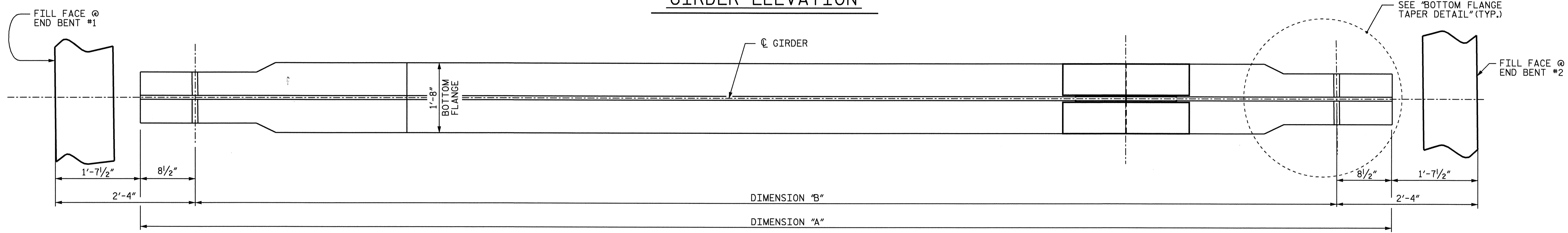
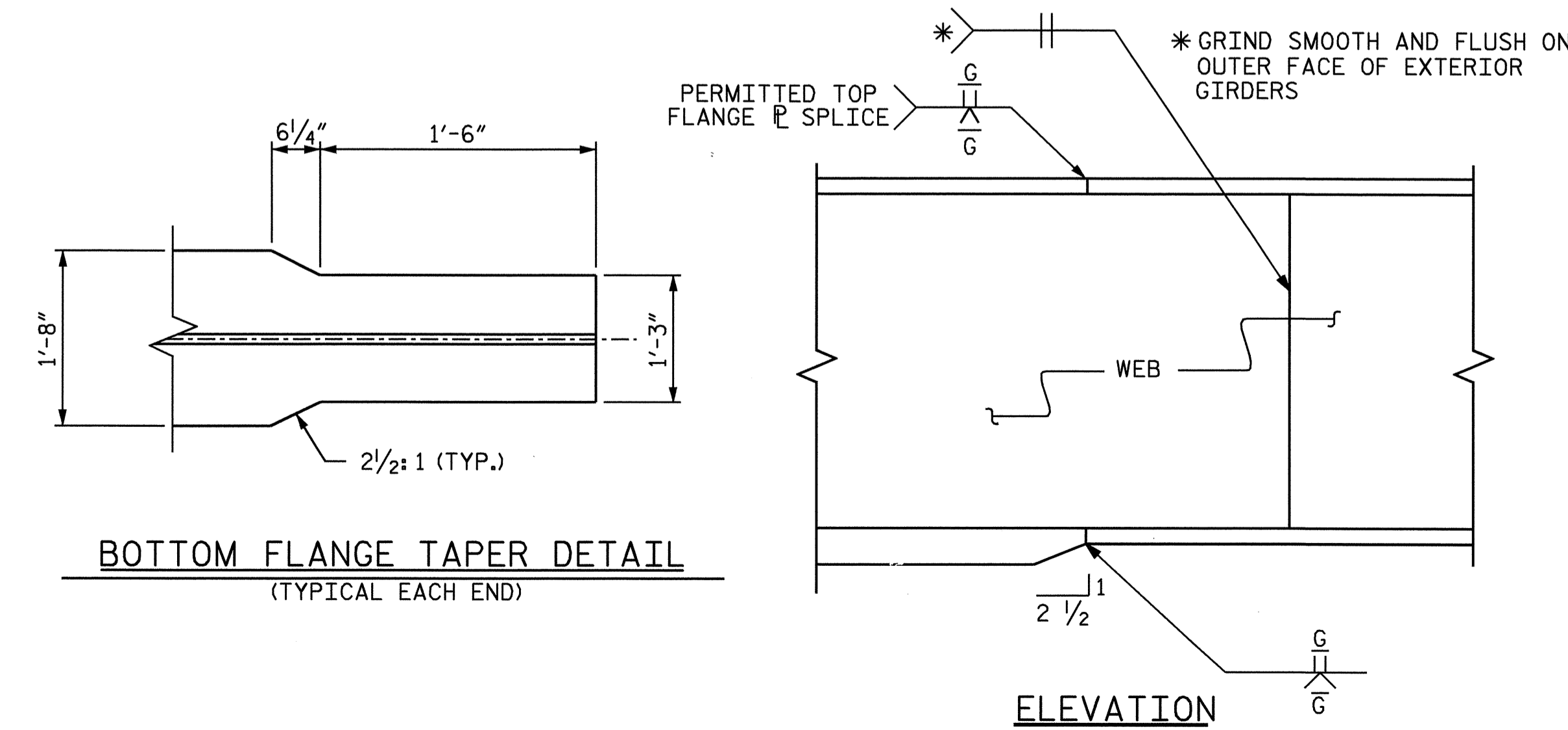


GIRDER ELEVATION

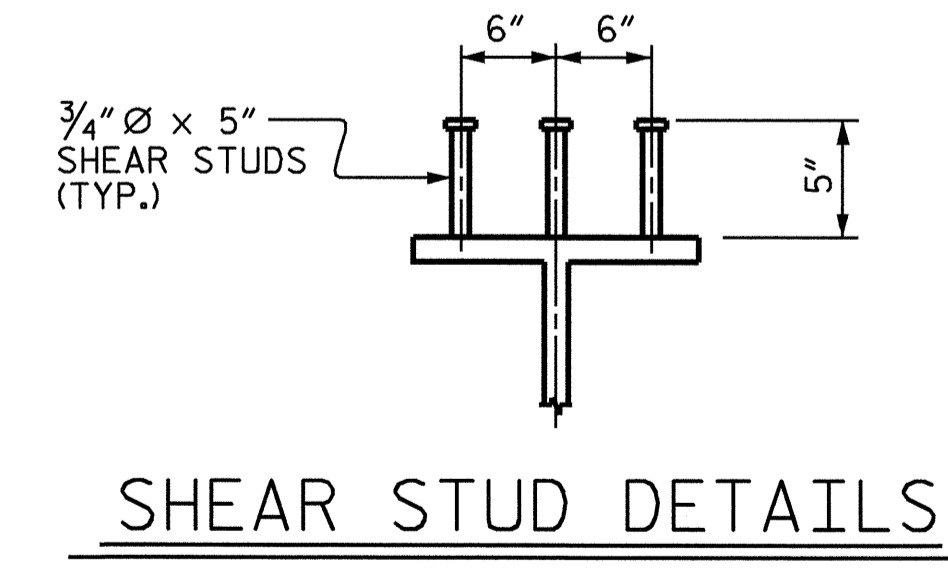


BOTTOM FLANGE DETAIL

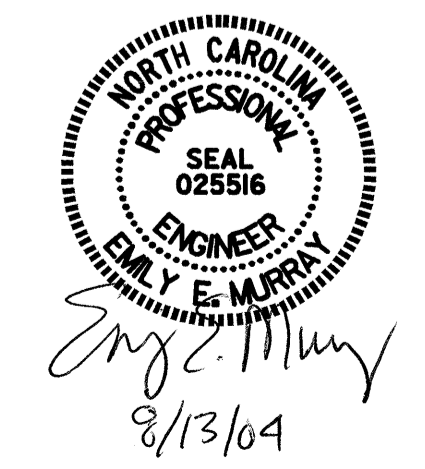


TYPICAL FLANGE AND WEB BUTT JOINT

GIRDER	DIMENSION			
	A		B	
	HORIZ.	SLOPED	HORIZ.	SLOPED
1	134'-10"	134'-10 13/16"	133'-5"	133'-5 13/16"
2	134'-10"	134'-10 7/8"	133'-5"	133'-5 7/8"
3	134'-10"	134'-10 5/16"	133'-5"	133'-5 5/16"
4	134'-10"	134'-11"	133'-5"	133'-6"
5	134'-10"	134'-11 1/16"	133'-5"	133'-6 1/16"
6	134'-10"	134'-11 1/8"	133'-5"	133'-6 1/8"



PROJECT NO. B-3157
 DAVIDSON COUNTY
 STATION: 29+25.37 -L-
 SHEET 1 OF 4



STATE OF NORTH CAROLINA
 DEPARTMENT OF TRANSPORTATION
 RALEIGH
 SUPERSTRUCTURE
 STRUCTURAL STEEL
 DETAILS
 RIGHT LANE

REVISIONS						SHEET NO.
NO.	BY:	DATE:	NO.	BY:	DATE:	S-38
1			3			TOTAL SHEETS 56
2			4			

DRAWN BY : PEGGY ADKINS DATE : 4-03
 CHECKED BY : M. M. PARSONS DATE : 5-03