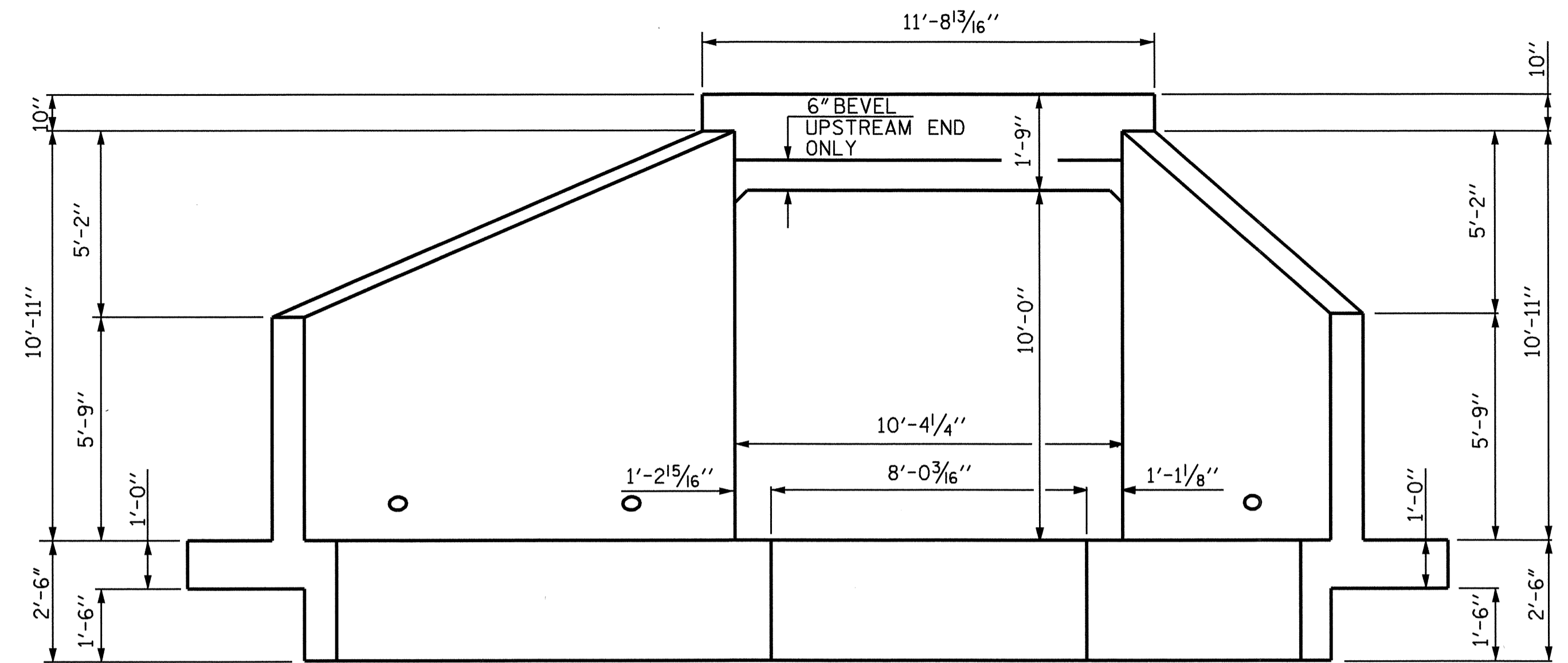
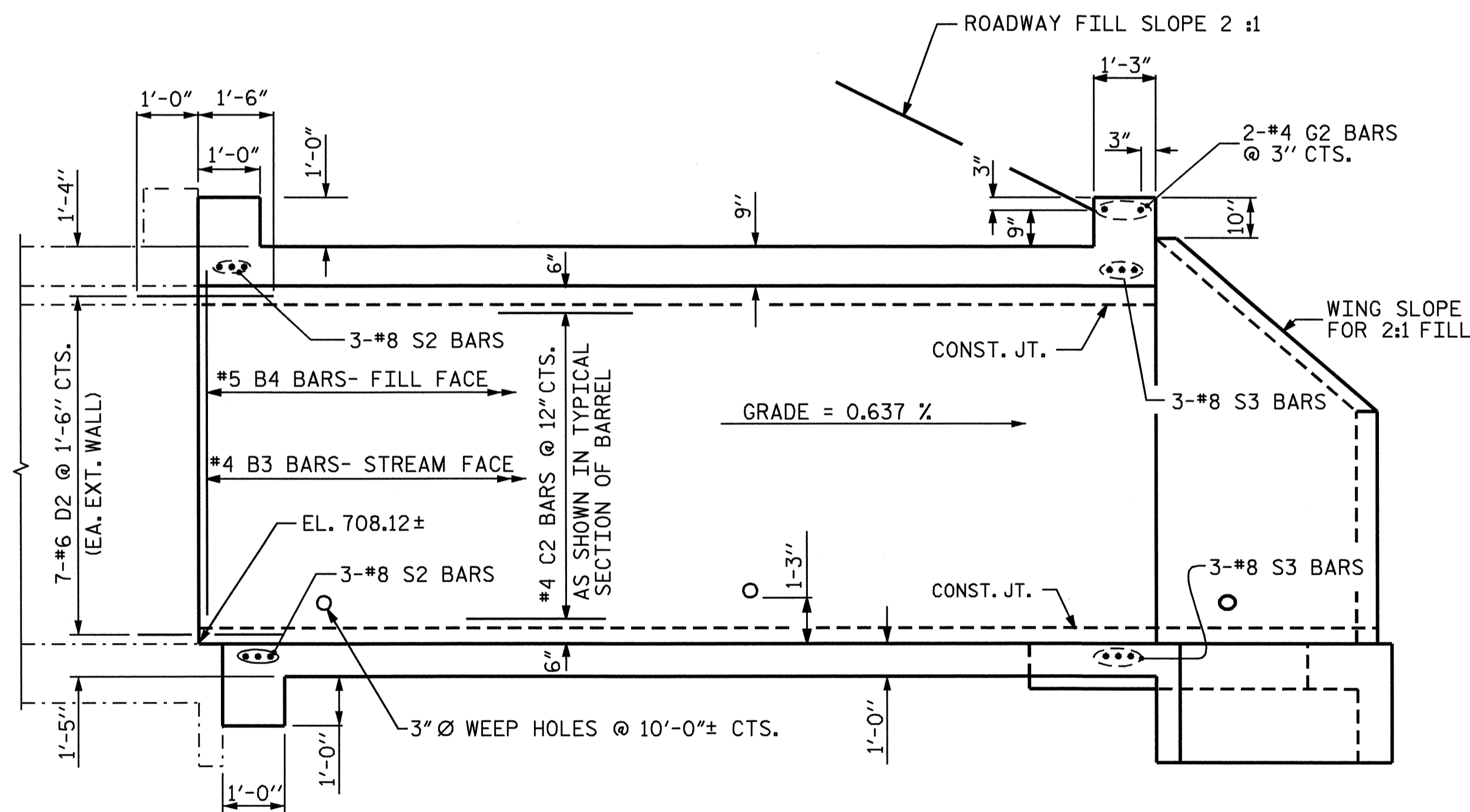


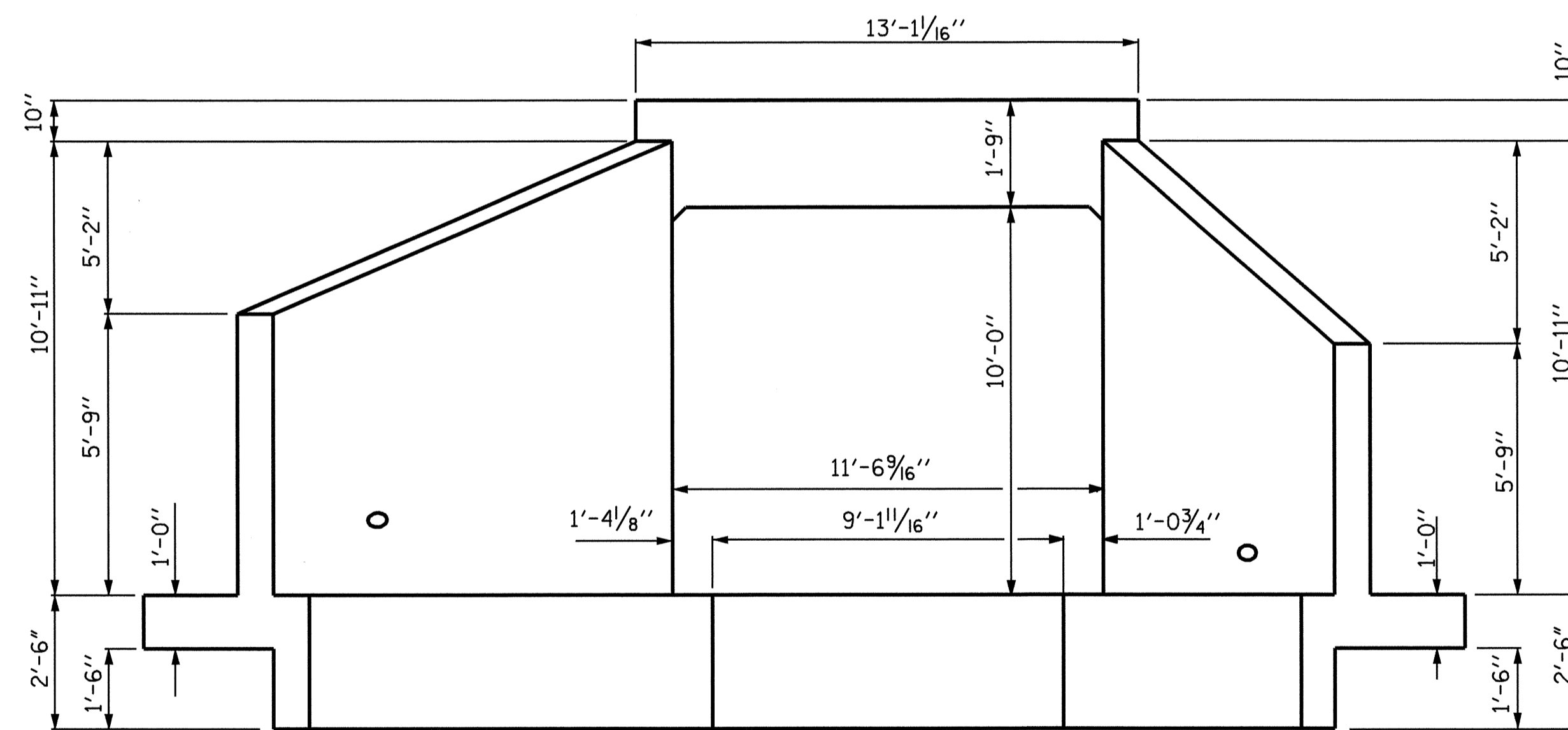
CULVERT SECTION NORMAL TO ROADWAY
LEFT EXTENSION



END ELEVATION NORMAL TO SKEW
LEFT EXTENSION



CULVERT SECTION NORMAL TO ROADWAY
RIGHT EXTENSION



END ELEVATION NORMAL TO SKEW
RIGHT EXTENSION

PROJECT NO. B-3157
DAVIDSON COUNTY

STATION: 20+81.50-Y6-

SHEET 2 OF 8

STATE OF NORTH CAROLINA
DEPARTMENT OF TRANSPORTATION
RALEIGH
BARREL STANDARD
SINGLE 10 FT. X 10 FT.
CONCRETE BOX CULVERT
LEFT AND RIGHT EXTENSIONS



Emily E. Murray
6/29/04

ASSEMBLED BY : M.D.PISO	DATE : 7/03	SPECIAL
CHECKED BY : D.CRUTCHER	DATE : 7/03	
DRAWN BY : R.W. WRIGHT	DATE : AUG. 1989	STANDARD
CHECKED BY : A.R. BISSETTE	DATE : AUG. 1989	

REVISIONS						SHEET NO. C-13
NO.	BY:	DATE:	NO.	BY:	DATE:	
1			3			TOTAL SHEETS 19
2			4			

REVISED 8-28-92 BY E.L.R. CHECKED BY G.R.P.
 REVISED 8-22-93 BY A.R.B. CHECKED BY C.R.K.
 REVISED 11-19-99 BY M.M. CHECKED BY R.W.W.