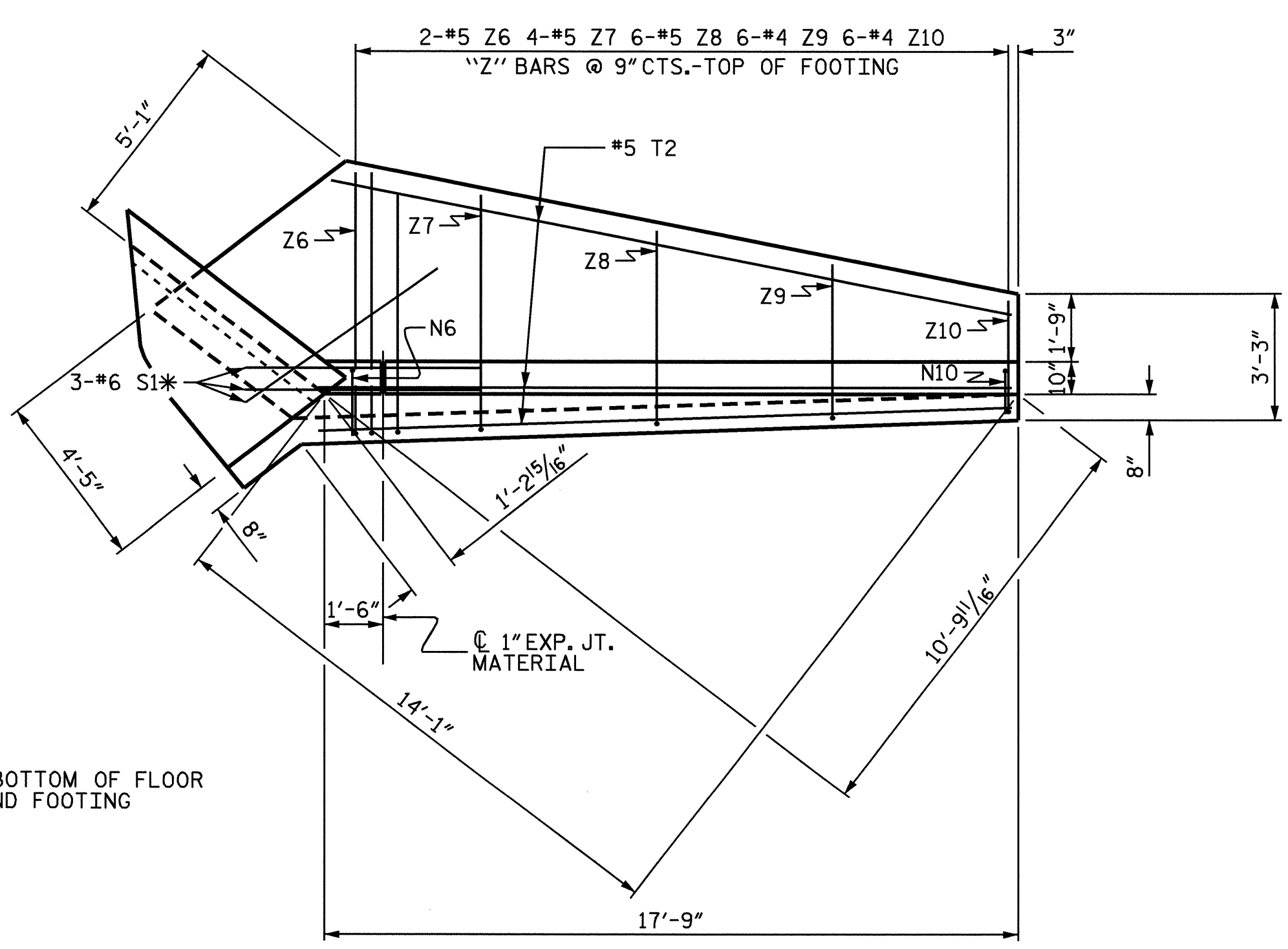
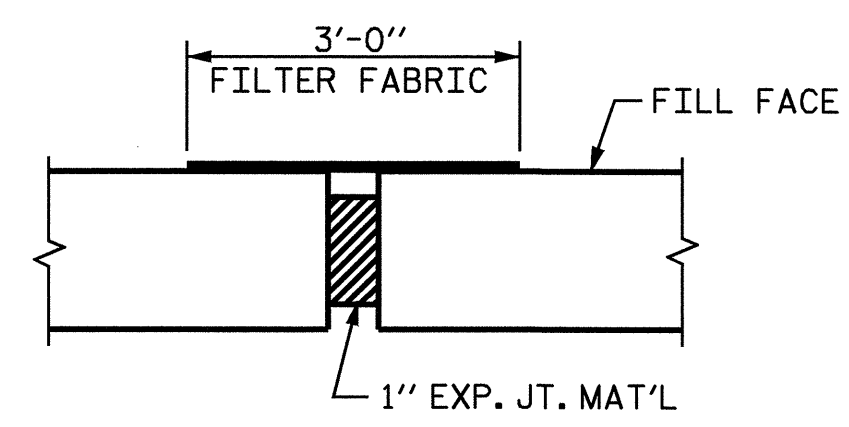


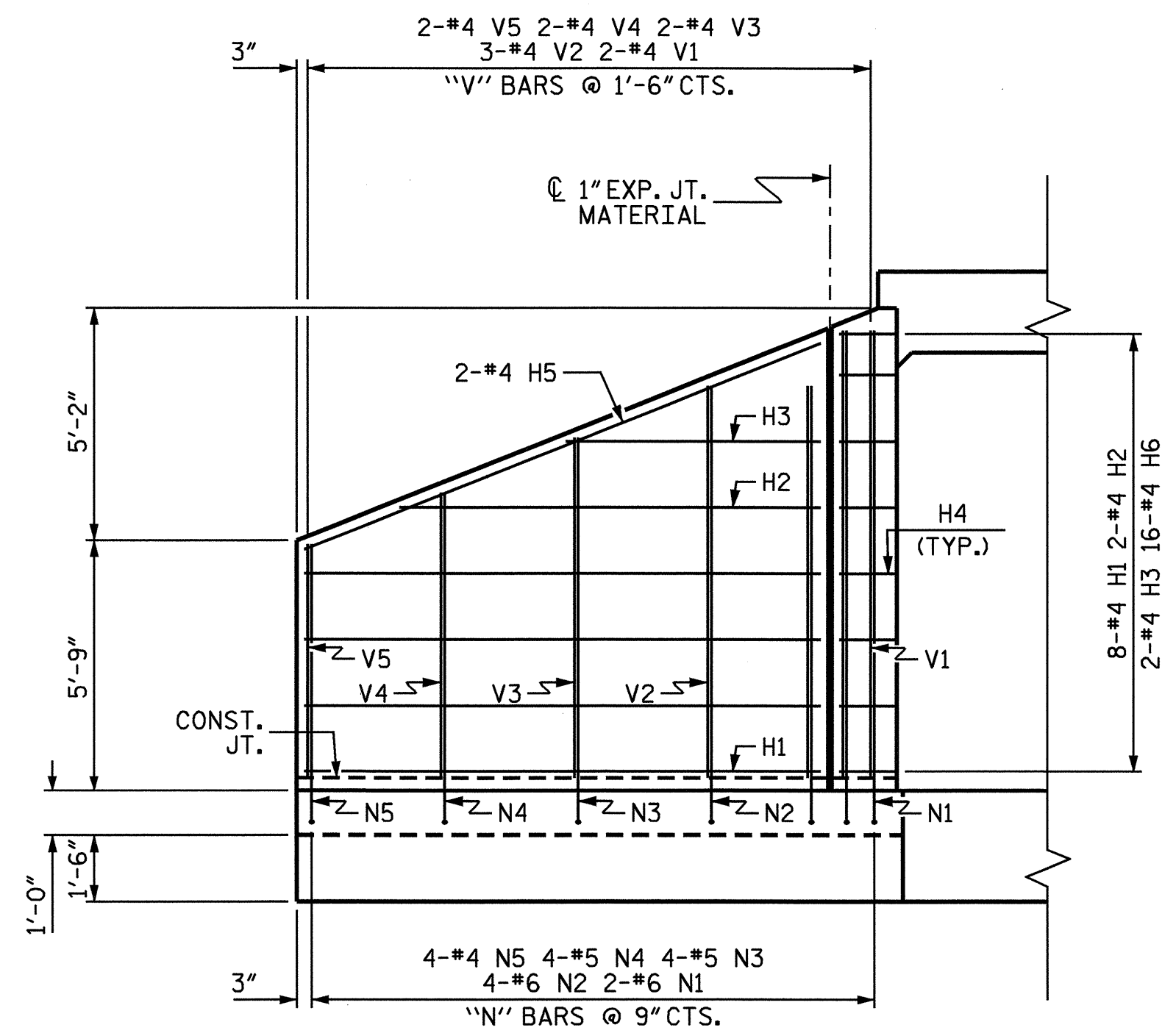
PLAN W2



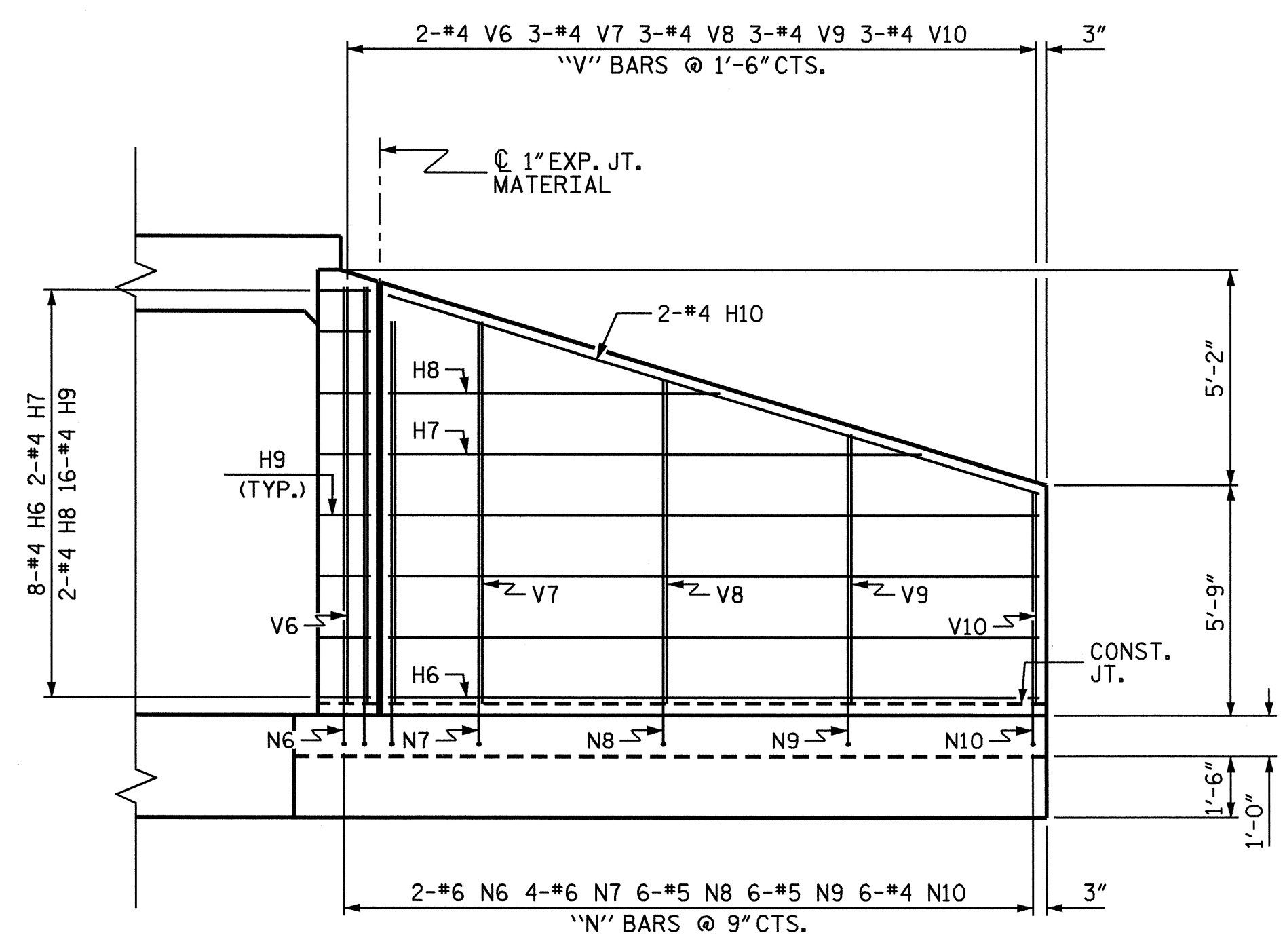
PLAN W1



FABRIC DETAIL



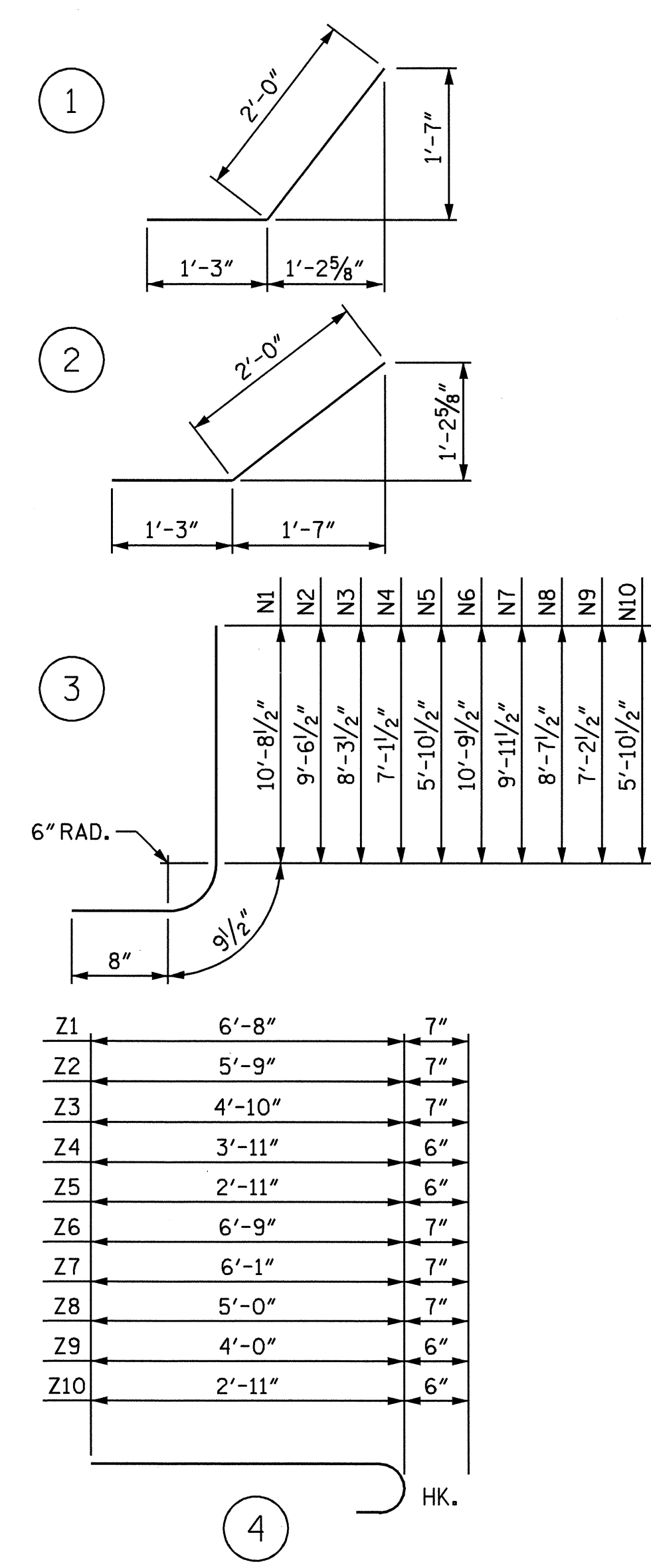
ELEVATION W2



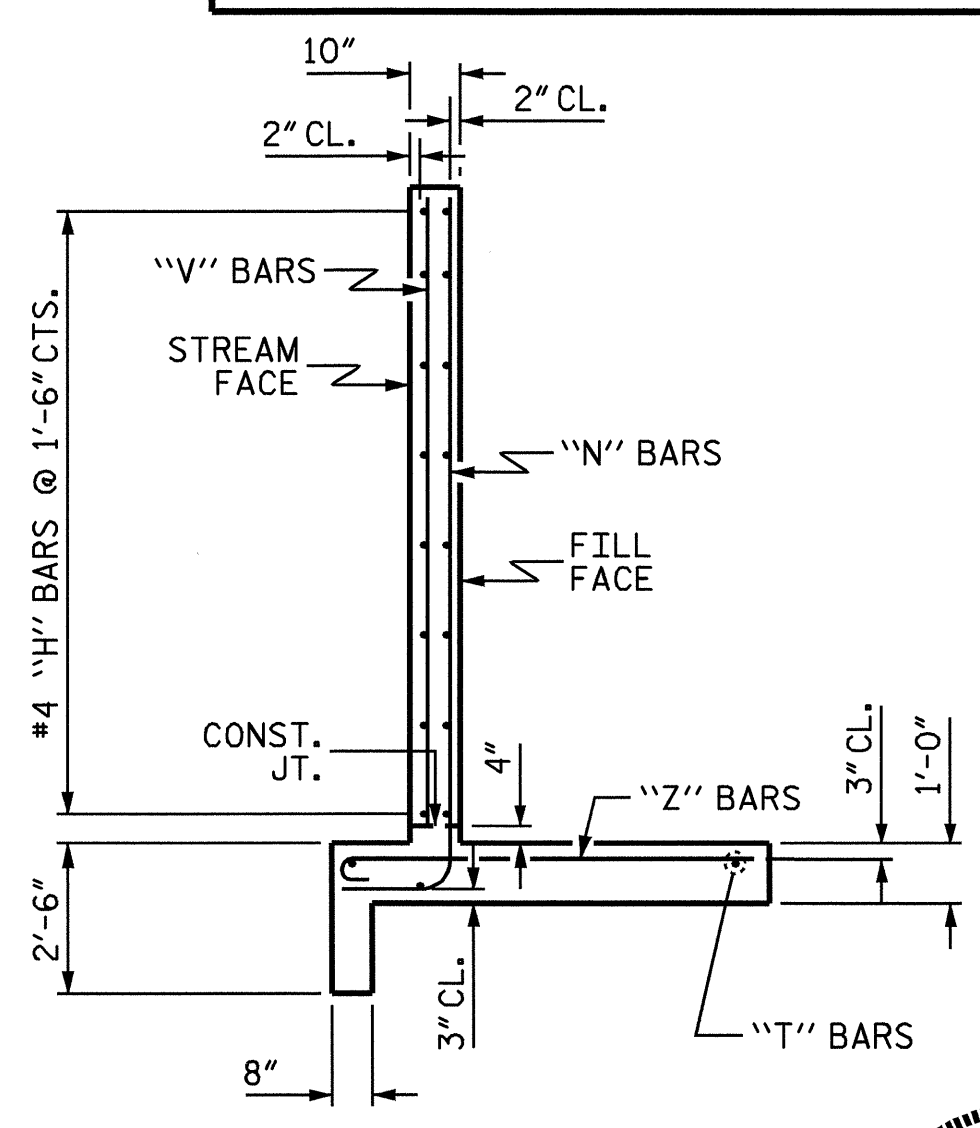
ELEVATION W1

BAR TYPES

ALL BAR DIMENSIONS ARE OUT TO OUT.



TYPICAL WING SECTION



BILL OF MATERIAL

BAR NO.	SIZE	TYPE	LENGTH	WEIGHT
H1	#4	STR	11'-7"	62
H2	#4	STR	9'-5"	13
H3	#4	STR	5'-8"	8
H4	#4	1	3'-3"	35
H5	#4	STR	12'-6"	17
H6	#4	STR	15'-10"	85
H7	#4	STR	13'-0"	17
H8	#4	STR	8'-1"	11
H9	#4	2	3'-3"	35
H10	#4	STR	16'-7"	22
N1	#6	3	12'-2"	37
N2	#6	3	11'-0"	66
N3	#5	3	9'-9"	41
N4	#5	3	8'-7"	36
N5	#4	3	7'-4"	20
N6	#6	3	12'-3"	37
N7	#6	3	11'-5"	69
N8	#5	3	10'-1"	63
N9	#5	3	8'-8"	54
N10	#4	3	7'-4"	29
S1	#6	STR	6'-0"	54
T1	#5	STR	13'-6"	42
T2	#5	STR	17'-9"	56
V1	#4	STR	10'-2"	14
V2	#4	STR	8'-11"	18
V3	#4	STR	7'-9"	10
V4	#4	STR	6'-6"	9
V5	#4	STR	5'-4"	7
V6	#4	STR	10'-3"	14
V7	#4	STR	9'-5"	19
V8	#4	STR	8'-0"	16
V9	#4	STR	6'-8"	13
V10	#4	STR	5'-3"	11
Z1	#5	4	7'-3"	15
Z2	#5	4	6'-4"	26
Z3	#5	4	5'-5"	23
Z4	#4	4	4'-5"	12
Z5	#4	4	3'-5"	9
Z6	#5	4	7'-4"	15
Z7	#5	4	6'-8"	28
Z8	#5	4	5'-7"	35
Z9	#4	4	4'-6"	18
Z10	#4	4	3'-5"	14

REINFORCING STEEL 1235 LBS FOR 2 WINGS

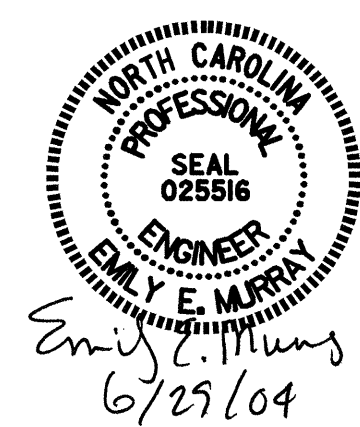
CLASS A CONCRETE

2 WINGS	16.4	CY
1 HEADWALL	0.5	CY
1 END CURTAIN WALL	0.5	CY
2 EDGE BEAMS	0.9	CY
TOTAL	18.3	CY

PROJECT NO. B-3157
 DAVIDSON COUNTY
 STATION: 20+81.50-Y6-

SHEET 7 OF 8

STATE OF NORTH CAROLINA
 DEPARTMENT OF TRANSPORTATION
 RALEIGH
**STANDARD WINGS
 FOR
 CONCRETE BOX CULVERT**
 H = 10'-0" SLOPE = 2:1
 105° SKEW (LEFT EXT.)



REVISIONS						SHEET NO.
NO.	BY:	DATE:	NO.	BY:	DATE:	C-18
1			3			TOTAL SHEETS 19
2			4			

ASSEMBLED BY: M.D.PISO DATE: 7/03
 CHECKED BY: D.CRUTCHER DATE: 7/03
 DRAWN BY: CCJ 01/00
 CHECKED BY: RWJ 03/00