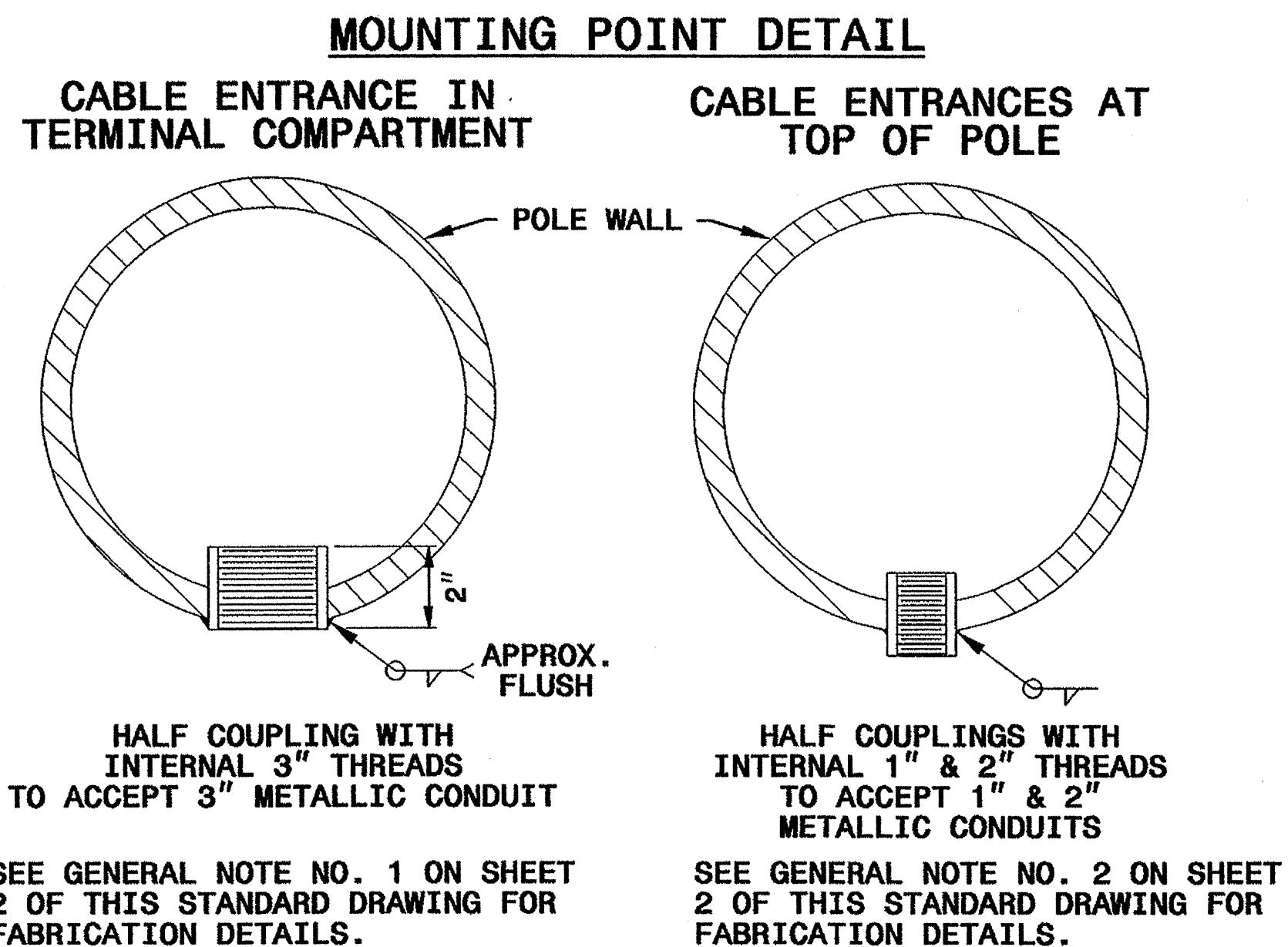


STATE OF  
NORTH CAROLINA  
DEPT. OF TRANSPORTATION  
DIVISION OF HIGHWAYS  
RALEIGH, N.C.

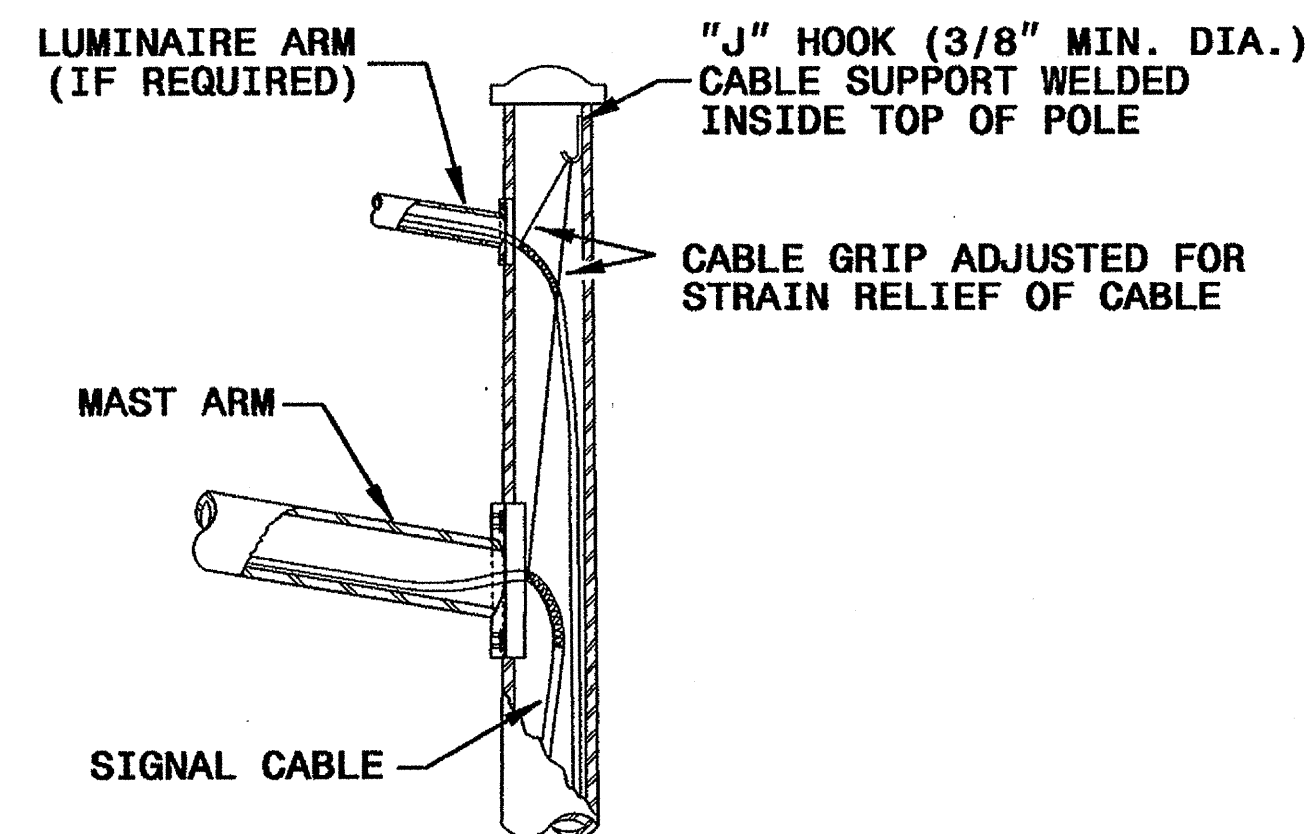
9-03

ENGLISH STANDARD DRAWING FOR  
METAL POLES  
MISCELLANEOUS DETAILS

SHEET 3 OF 3  
1740.01



### CABLE STRAIN RELIEF

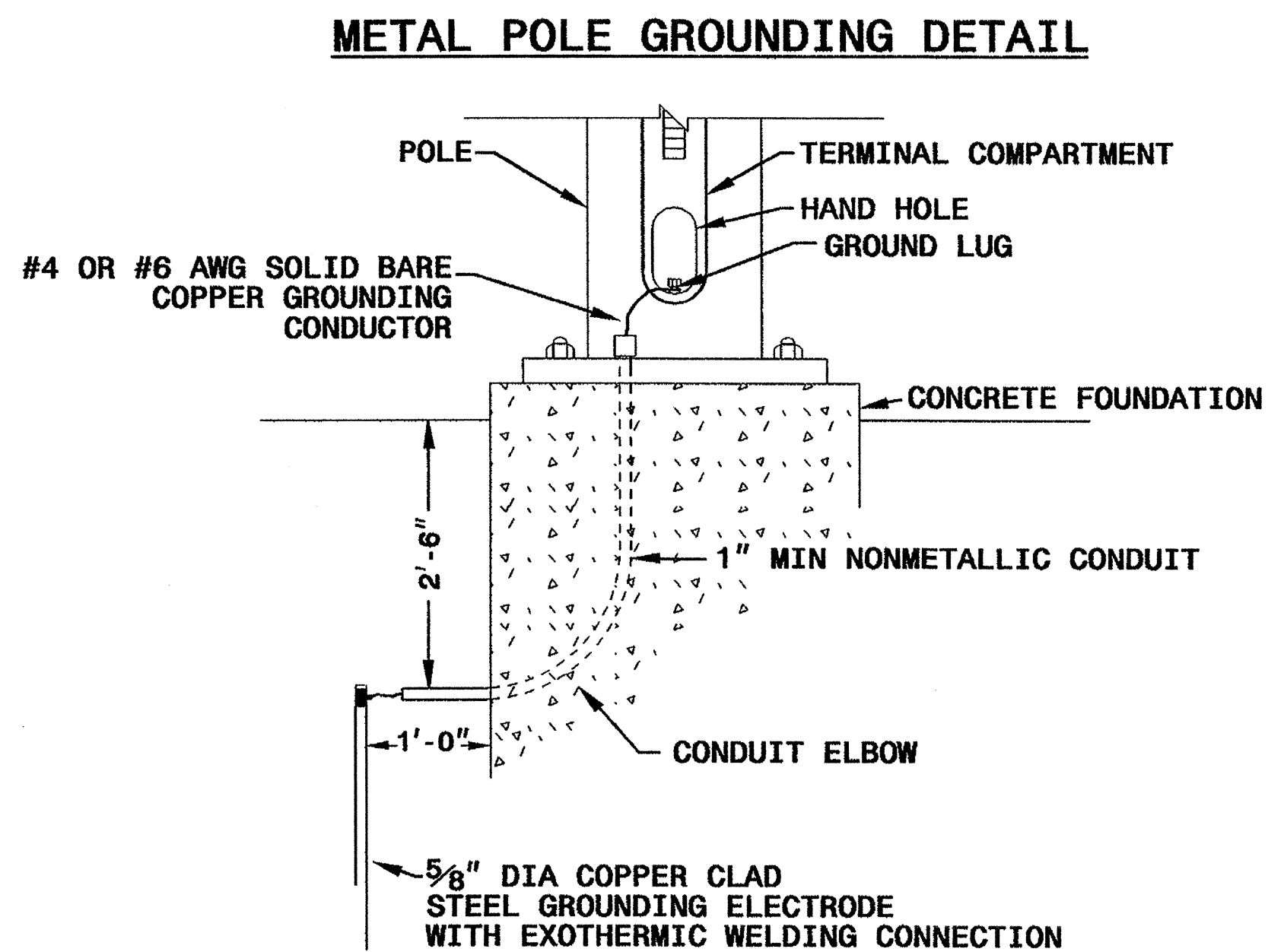


STATE OF  
NORTH CAROLINA  
DEPT. OF TRANSPORTATION  
DIVISION OF HIGHWAYS  
RALEIGH, N.C.

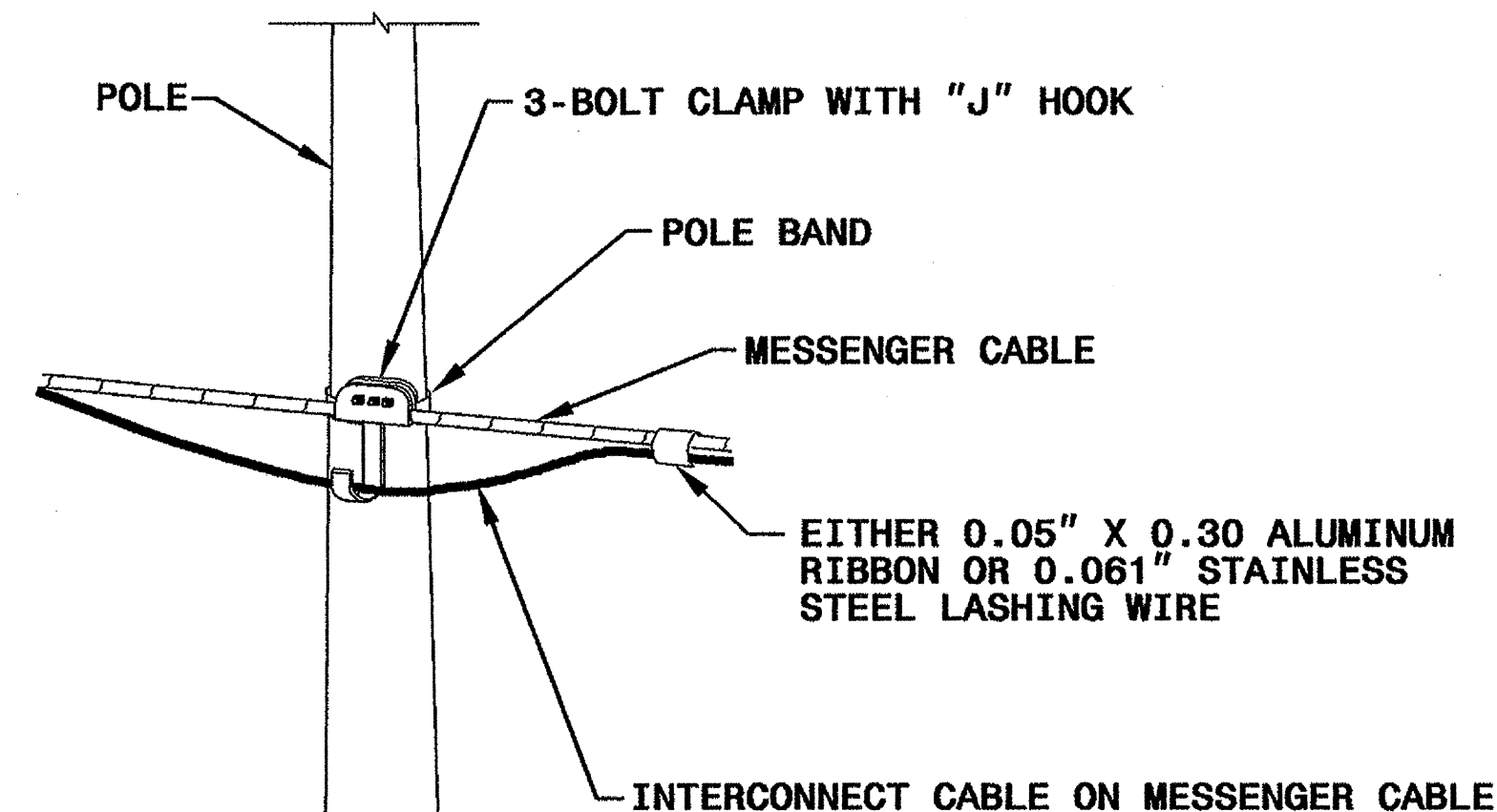
9-03

ENGLISH STANDARD DRAWING FOR  
METAL POLES  
MISCELLANEOUS DETAILS

SHEET 3 OF 3  
1740.01



### ATTACHMENT OF CABLE TO INTERMEDIATE METAL POLE



<p>Structural Engineer</p> <p>DEVEESH C. SARRAF</p> <p>9/19/2003</p>	<p>Electrical Engineer</p> <p>MILTON DEAN</p> <p>9/22/03</p>
<p>Standard Drawings</p> <p>Traffic Management and Signal Systems Unit</p> <p>122 N. McDowell St., Raleigh, NC 27603</p>	
<p>See Plate for Title</p>	
<p>Original: 2002 Standards</p>	