

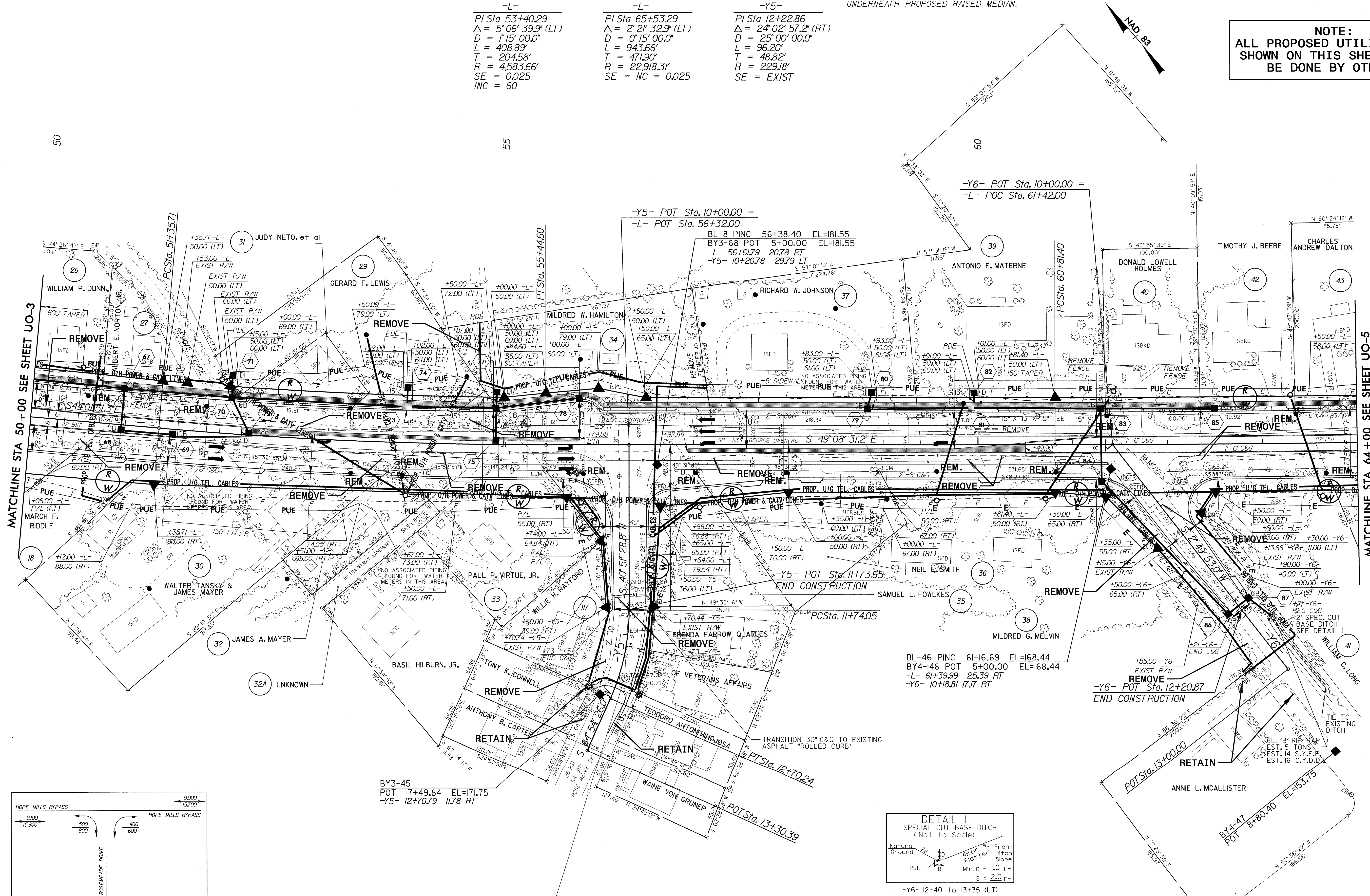
UTILITIES BY OTHERS

NOTE:
ALL PROPOSED UTILITY WORK SHOWN ON THIS SHEET WILL BE DONE BY OTHERS

ALL DRIVEWAYS ARE 20' WIDE UNLESS OTHERWISE NOTED
BREAK UP AND REMOVE EXISTING PAVEMENT UNDERNEATH PROPOSED RAISED MEDIAN.

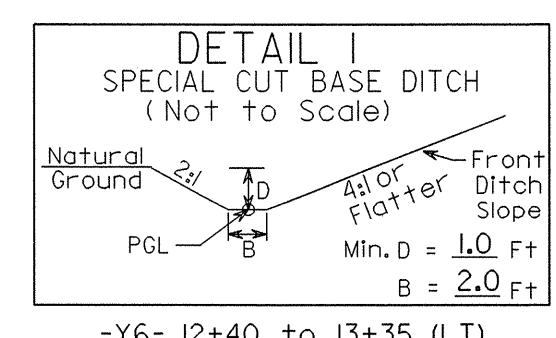
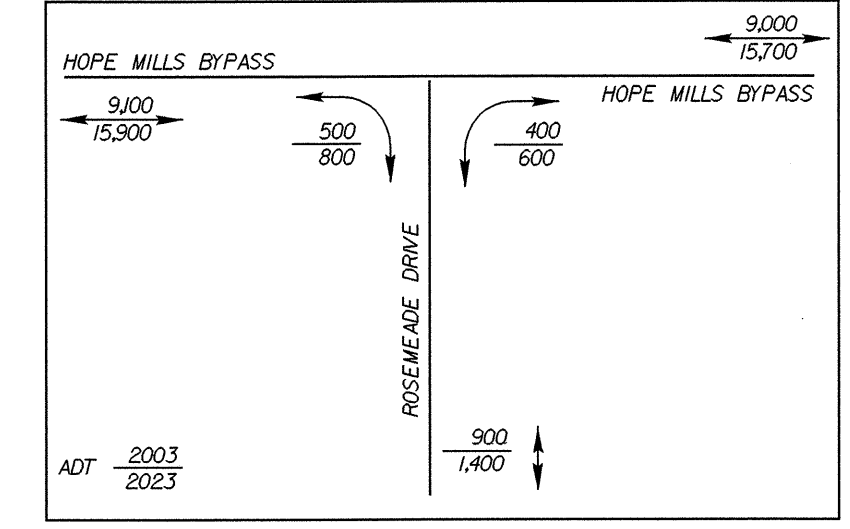
SEE SHEET 26 FOR -L- PROFILE
SEE SHEET 34 FOR -Y5- PROFILE
SEE SHEET 34 FOR -Y6- PROFILE

-L- PI Sta 53+40.29 Δ = 5° 06' 39.9" (LT) D = 1' 15' 00.0" L = 408.89' T = 204.58' R = 4,583.66' SE = 0.025 INC = 60	-L- PI Sta 65+53.29 Δ = 2° 21' 32.9" (LT) D = 0' 15' 00.0" L = 943.66' T = 471.90' R = 22,918.31' SE = NC = 0.025	-Y5- PI Sta 12+22.86 Δ = 24° 02' 57.2" (RT) D = 25' 00' 00.0" L = 96.20' T = 48.82' R = 229.18' SE = EXIST
--	--	---



MATCHLINE STA 50+00 SEE SHEET UO-3

MATCHLINE STA 64+00 SEE SHEET UO-5



- 5' MONOLITHIC ISLAND (KEYED IN) & SIDEWALK
- PAINT STRIPED LANE CLOSURE
- PAVEMENT REMOVAL