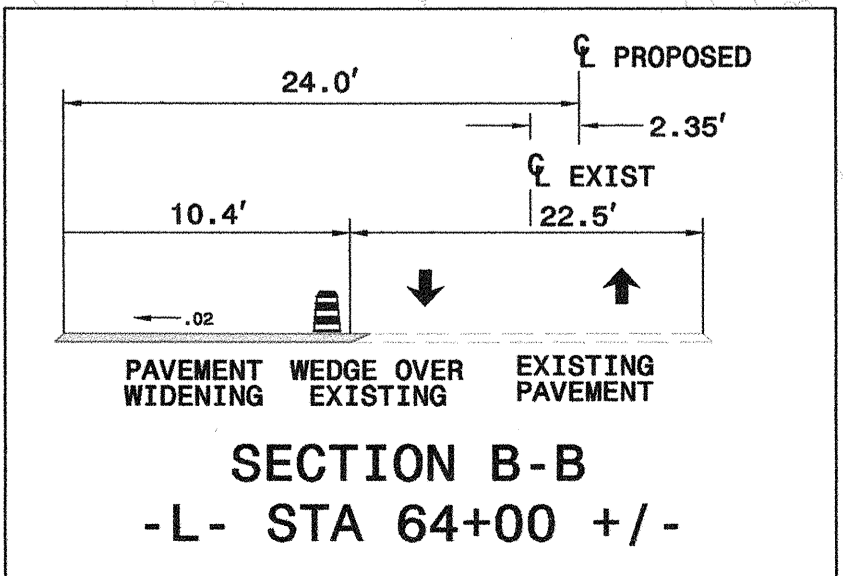
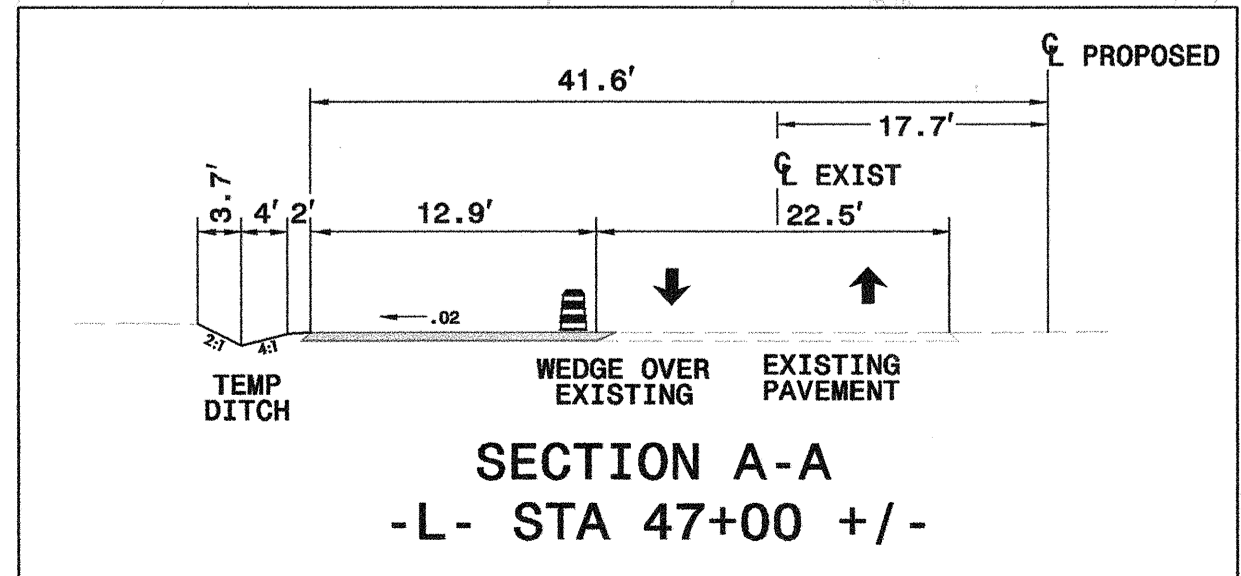


NEW PAVEMENT

PAVEMENT WIDENING



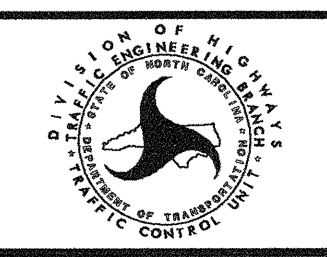
12/05/09 PM 04:06/2005 \\Roadview\Projects\U0620\TrafficControl\TCP\U0620_TCP_TCP07_PSH.DGN

APPROVED: SHANE D. YORK, PE. DATE: 04/05/05

SEAL

**PHASE ONE
DETAIL THREE**

SCALE: N.A.
DATE: 12/03/03
DWG. BY: S. YORK
DESIGN BY: S. YORK
REVIEWED BY: A.D. SARVIS



REVISIONS	
SDY - 040505	