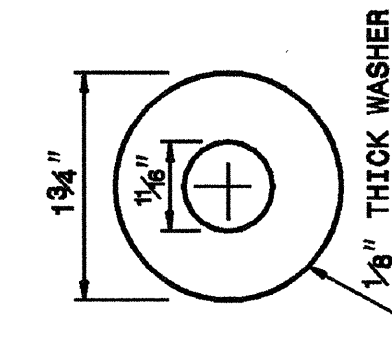
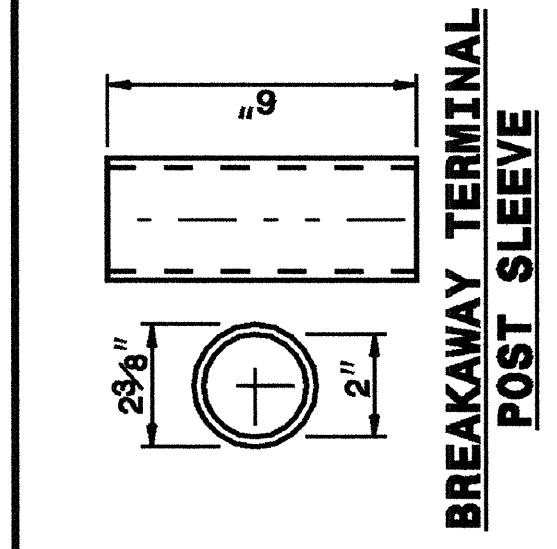


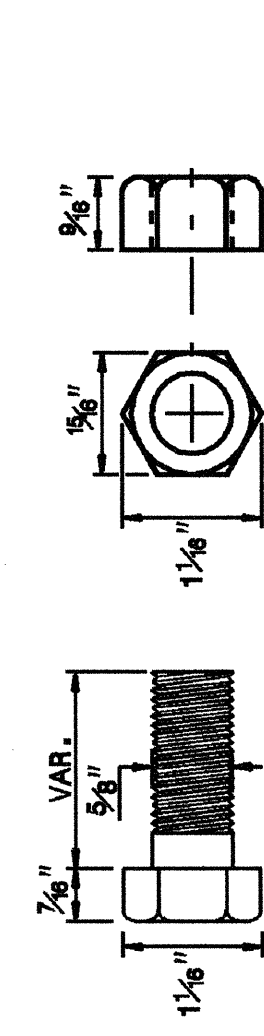
STATE OF NORTH CAROLINA  
DEPT. OF TRANSPORTATION  
DIVISION OF HIGHWAYS  
RALEIGH, N.C.

ENGLISH DETAIL DRAWING FOR  
GUARDRAIL INSTALLATION

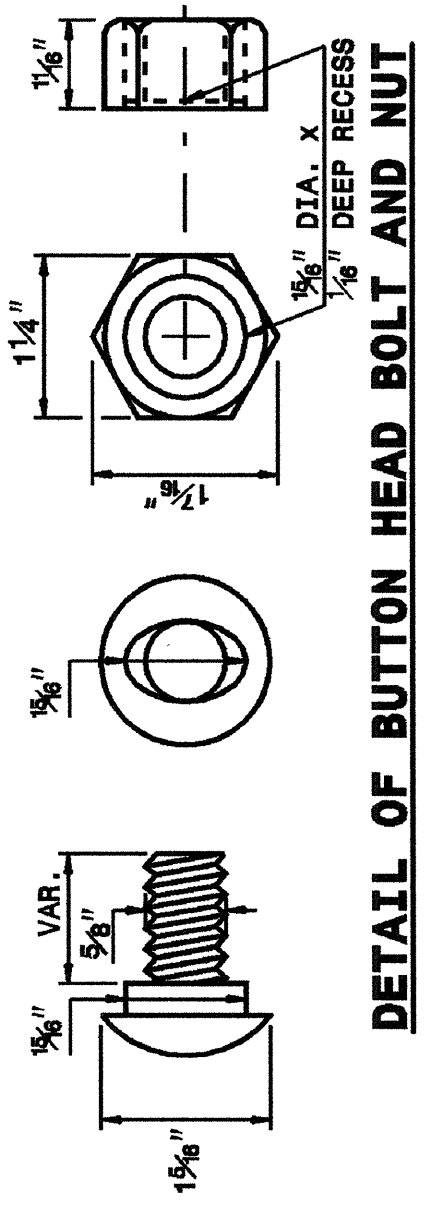
SHEET 5 OF 7  
862D02



DETAIL OF STANDARD WASHER  
STANDARD WASHER: TYPICAL USE UNDER NUT WITH WOOD POST

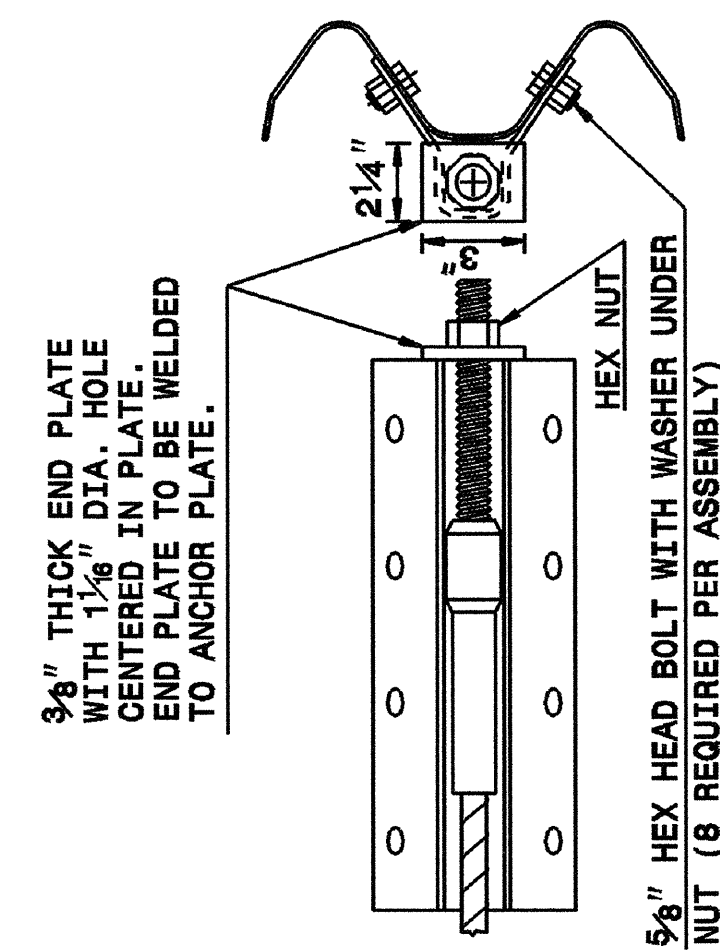


DETAIL OF STANDARD HEX BOLT AND NUT

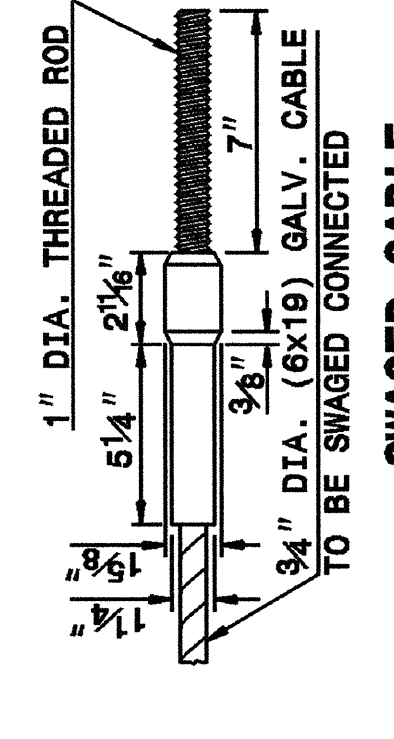


DETAIL OF BUTTON HEAD BOLT AND NUT

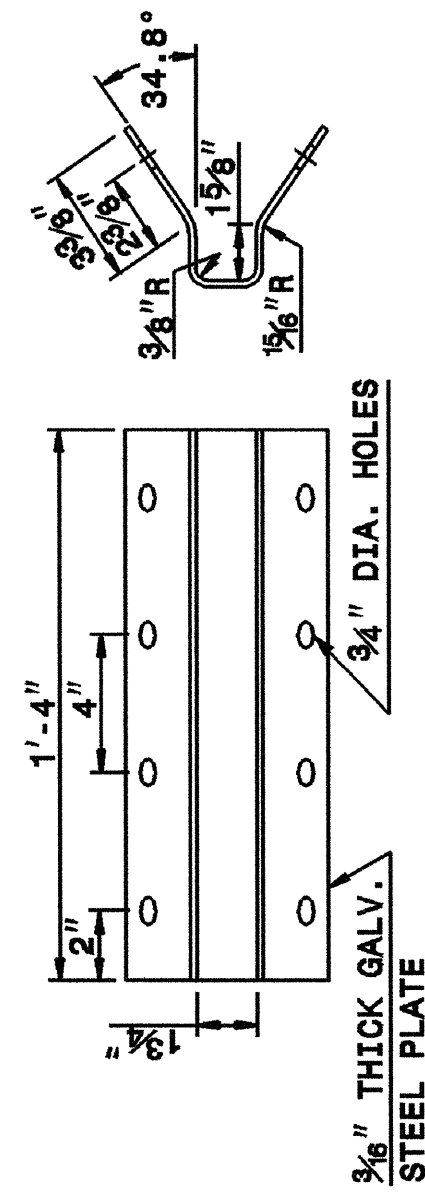
SYSTEM PARTS



ANCHOR PLATE ASSEMBLY



SWAGED CABLE



CABLE ASSEMBLY

STATE OF NORTH CAROLINA  
DEPT. OF TRANSPORTATION  
DIVISION OF HIGHWAYS  
RALEIGH, N.C.

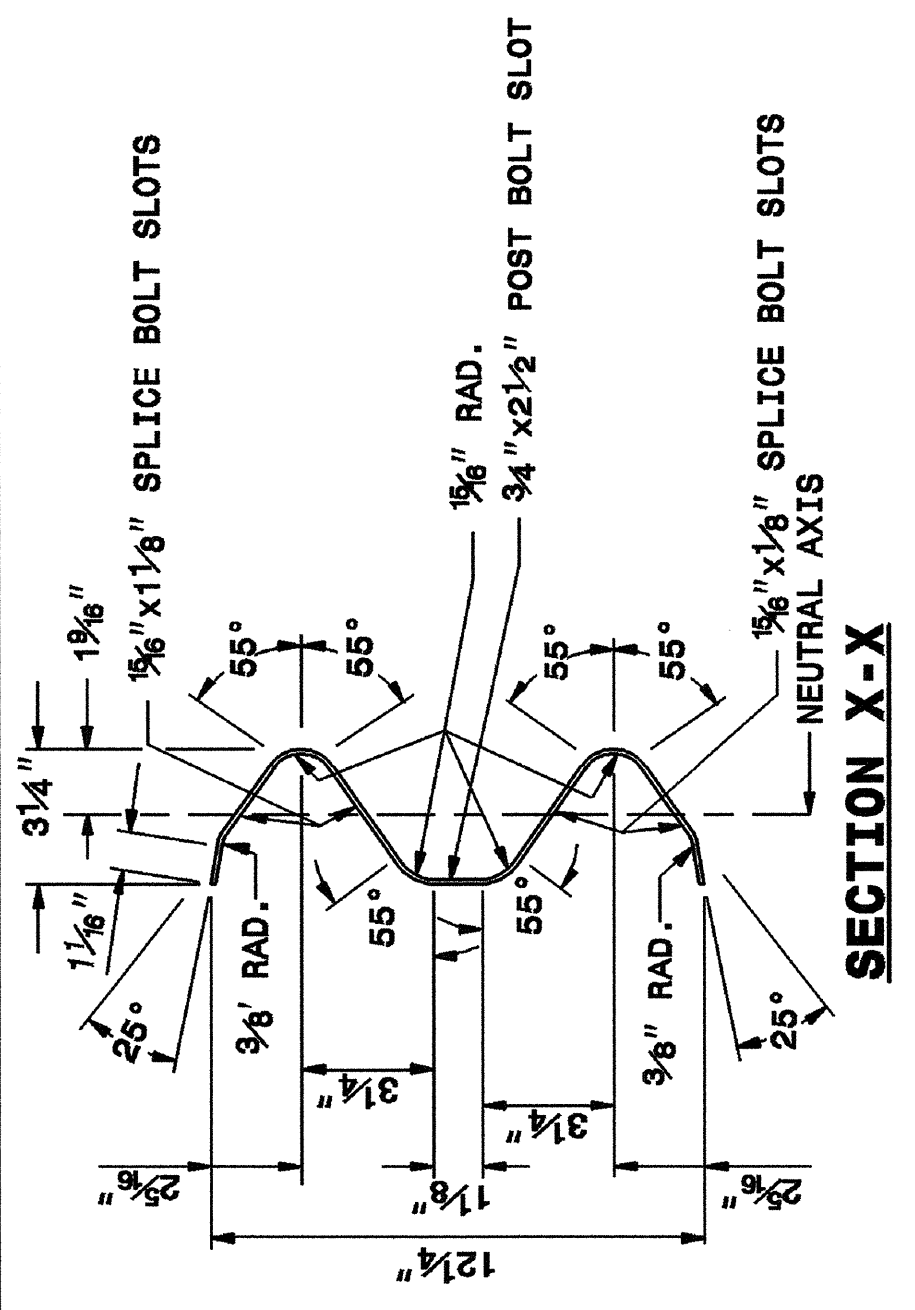
ENGLISH DETAIL DRAWING FOR  
GUARDRAIL INSTALLATION

SHEET 5 OF 7  
862D02

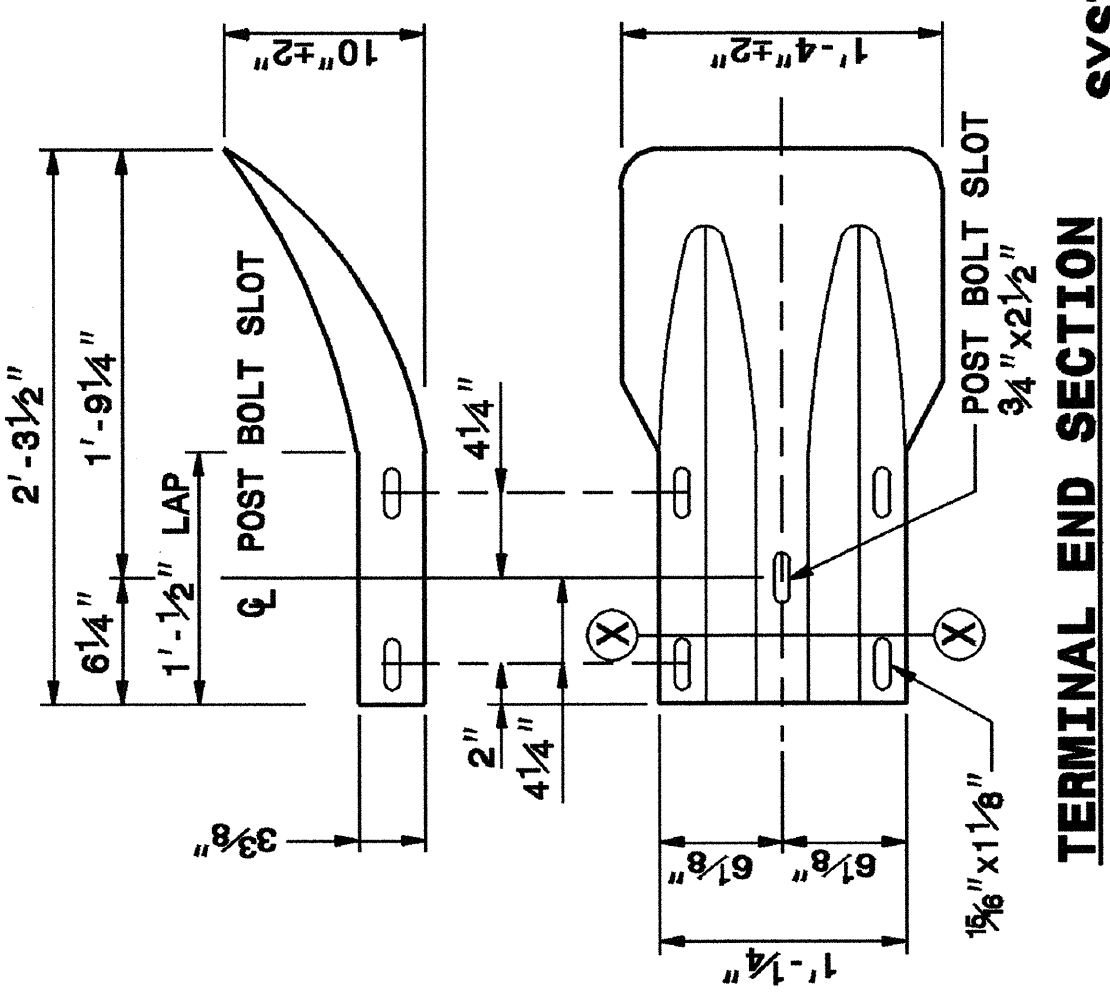
STATE OF NORTH CAROLINA  
DEPT. OF TRANSPORTATION  
DIVISION OF HIGHWAYS  
RALEIGH, N.C.

ENGLISH DETAIL DRAWING FOR  
GUARDRAIL INSTALLATION

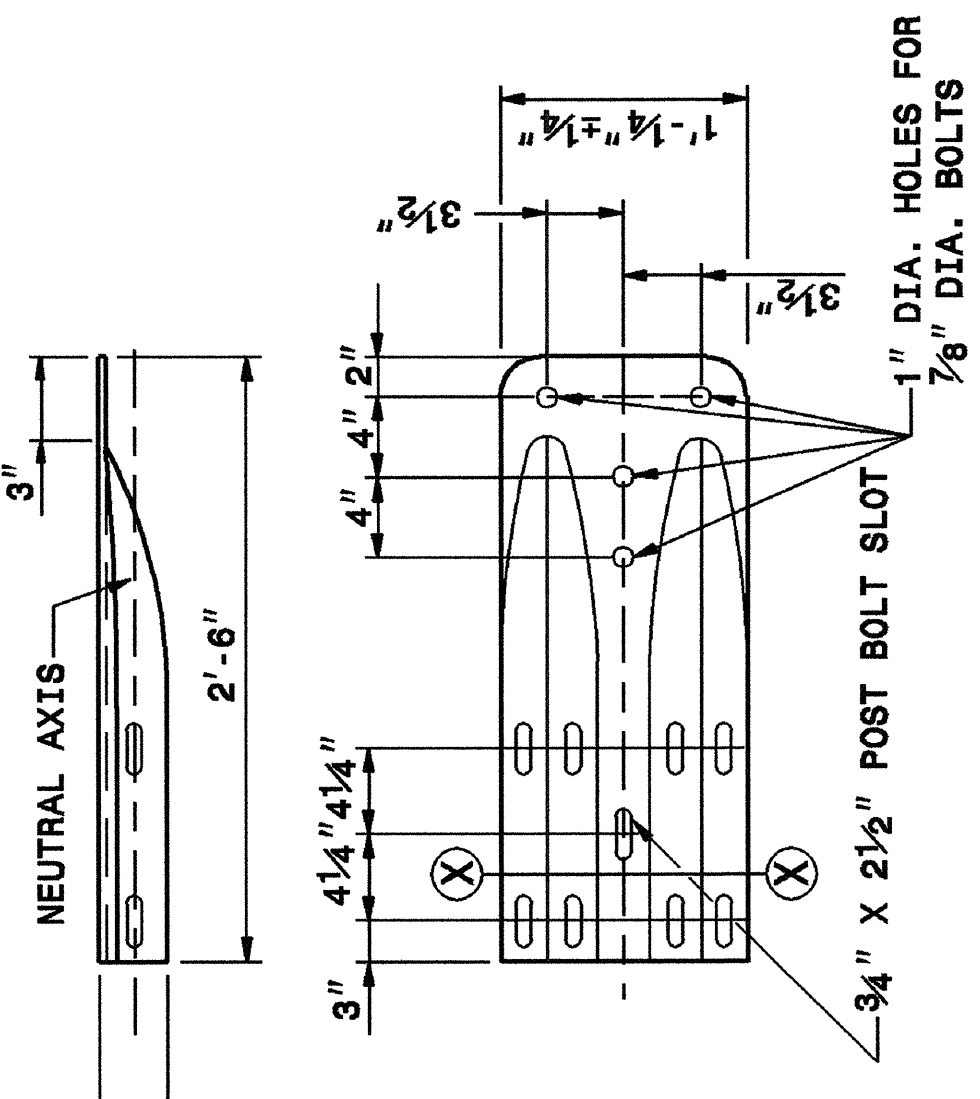
SHEET 6 OF 7  
862D02



SECTION X-X



TERMINAL END SECTION



TYPICAL END SHOE

STATE OF NORTH CAROLINA  
DEPT. OF TRANSPORTATION  
DIVISION OF HIGHWAYS  
RALEIGH, N.C.

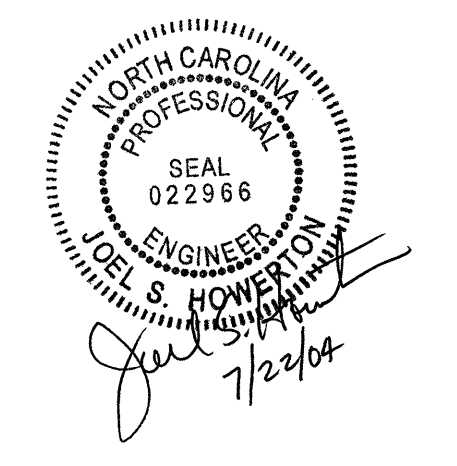
ENGLISH DETAIL DRAWING FOR  
GUARDRAIL INSTALLATION

SHEET 6 OF 7  
862D02

DESIGN SERVICES UNIT  
STANDARDS AND SPECIAL DESIGN  
Office 919-250-4128 FAX 919-250-4119

SEE PLATE FOR TITLE

ORIGINAL BY: 2002 STD.862.02 DATE:  
 MODIFIED BY: E.E. WARD DATE: 02-09-03  
 CHECKED BY: J.S. [Signature] DATE: 6/04  
 FILE SPEC.: \\sfr\stds\02\todetail\EngLish\86202\862d02.dgn



PROJECT REFERENCE NO.	SHEET NO.
U-0620	2-Q