

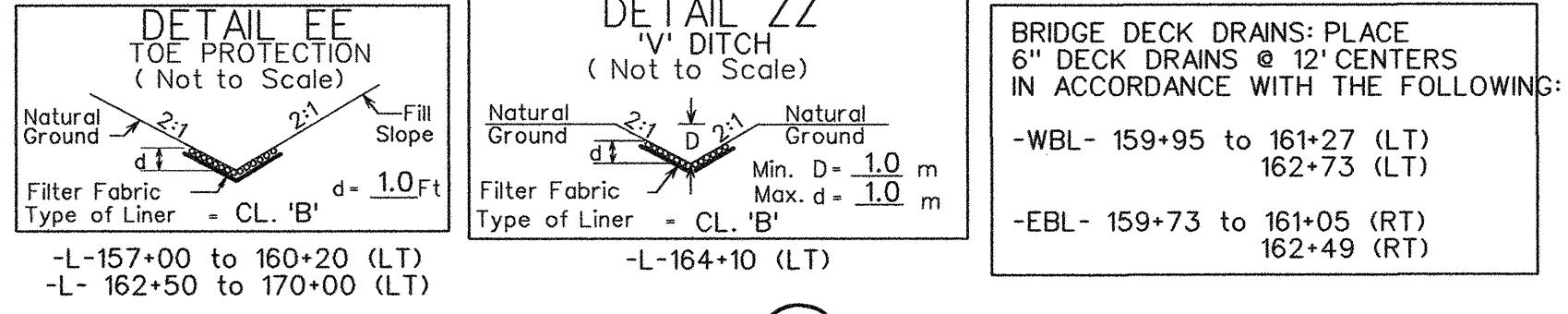
SEE SHEET 30 FOR -L-PROFILE
SEE SHEET 37 FOR -Y13-PROFILE

PROJECT REFERENCE NO. U-0620		SHEET NO. 15	
RW SHEET NO.			
ROADWAY DESIGN ENGINEER NORTH CAROLINA PROFESSIONAL SEAL DONALD HULL		HYDRAULICS ENGINEER NORTH CAROLINA PROFESSIONAL SEAL 18442 LEON ROSS	
7/19/04		7-28-04	

Carter Burgess
Consultants in Planning, Engineering, Architecture, Construction Management and Related Services
5811 Glenwood Avenue, Suite 300
Raleigh, North Carolina 27612

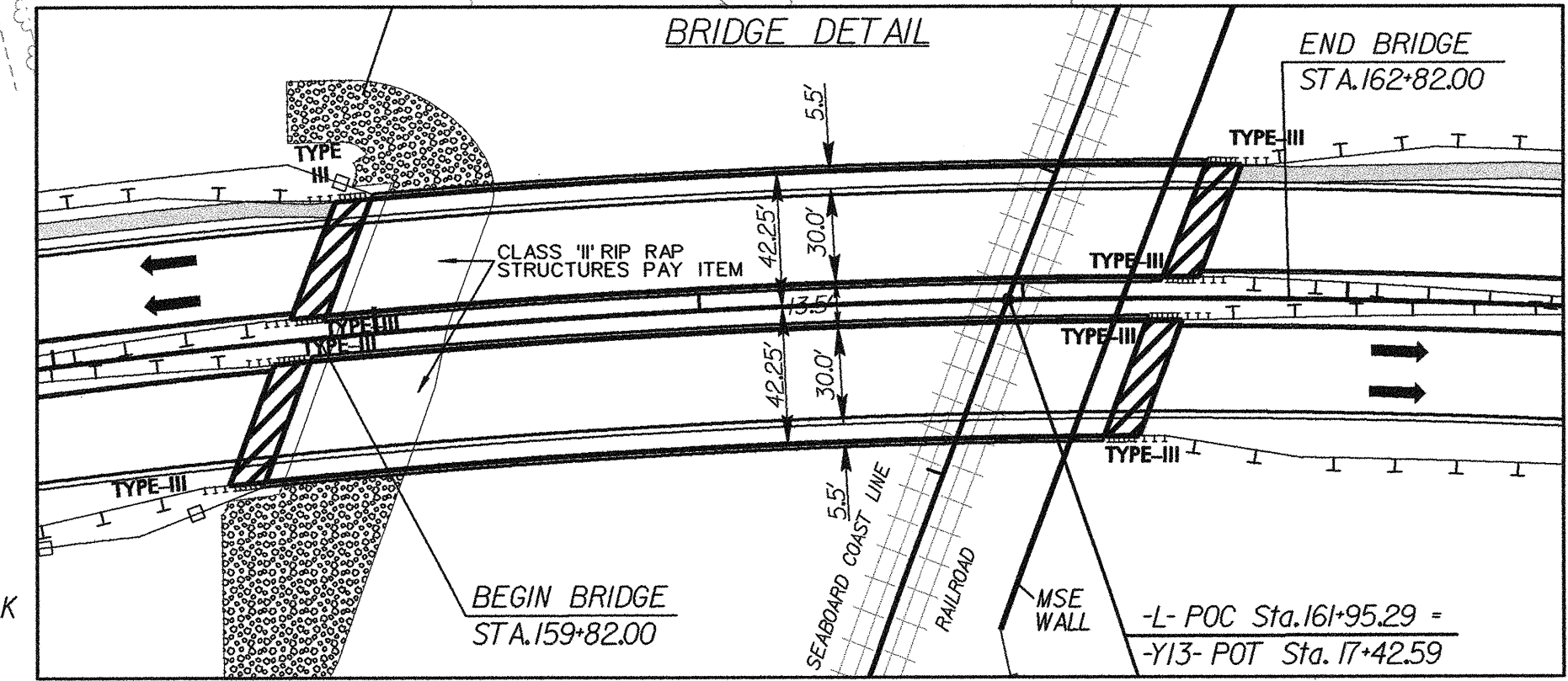
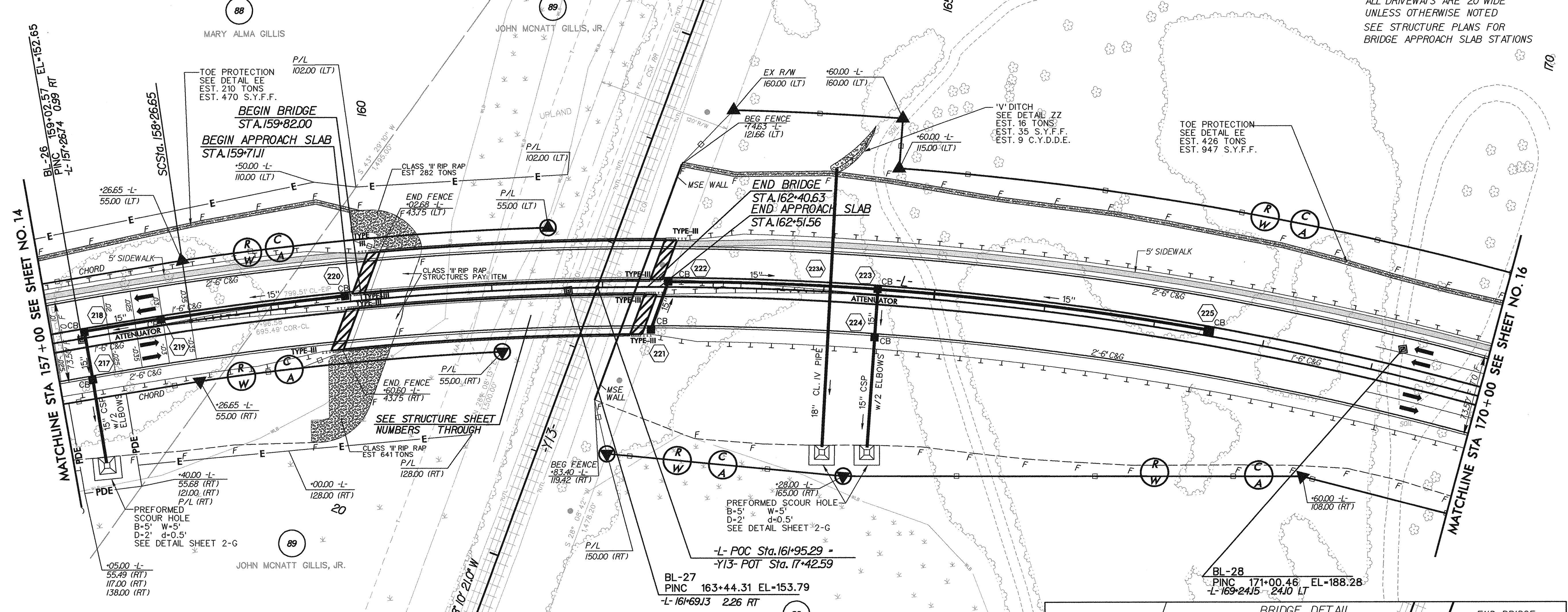
TRANSITE CONSULTING
ENGINEERS, INCORPORATED
ENGINEERS + PLANNERS + CEI
1300 Padlock Drive, Suite G-10
Raleigh, N.C. 27609
OFFICE 919-873-2401 FAX 919-873-2404

ALL DRIVEWAYS ARE 20' WIDE UNLESS OTHERWISE NOTED
SEE STRUCTURE PLANS FOR BRIDGE APPROACH SLAB STATIONS



BRIDGE DECK DRAINS: PLACE 6" DECK DRAINS @ 12' CENTERS IN ACCORDANCE WITH THE FOLLOWING:
-WBL- 159+95 to 161+27 (LT)
162+73 (LT)
-EBL- 159+73 to 161+05 (RT)
162+49 (RT)

-L-
Pls Sta 157+68.32
Øs = 1' 45" 00.0"
Ls = 175.00'
LT = 116.67'
ST = 58.34'
PI Sta 172+07.60
Δ = 51' 28" 19.8" (RT)
D = 2' 00" 00.0"
L = 2573.61'
T = 1380.95'
R = 2864.79'
SE = 0.035
INC = 50
Pls Sta 184+58.60
Øs = 1' 45" 00.0"
Ls = 175.00'
LT = 116.67'
ST = 58.34'



- 5' MONOLITHIC ISLAND (KEYED IN) & SIDEWALK
- PAINT STRIPED LANE CLOSURE
- PAVEMENT REMOVAL & OBLITERATION

7/12/09
01:49:22 PM Proj:\U0620.RDY_PSH-15.DGN
15/07/19/2004