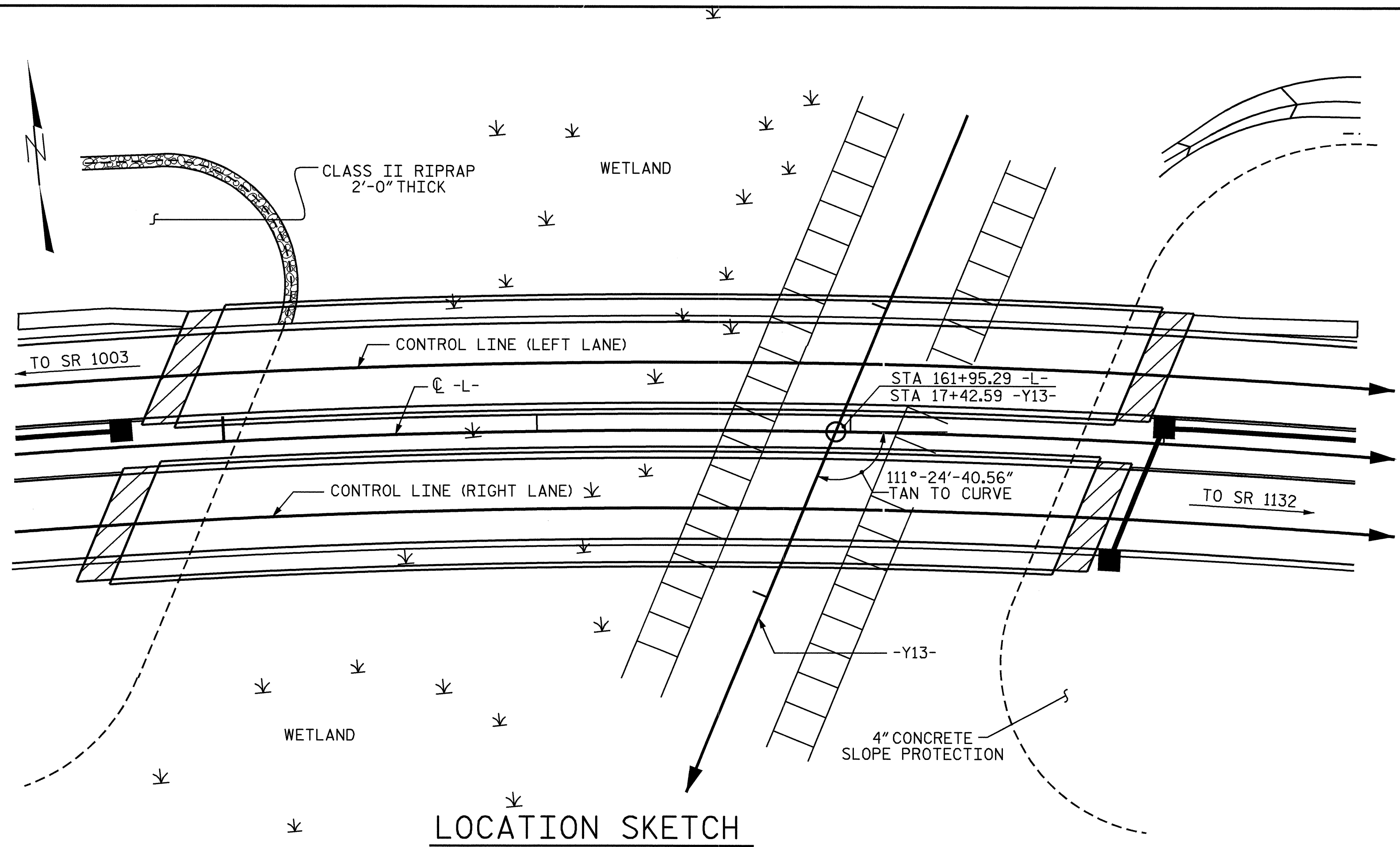


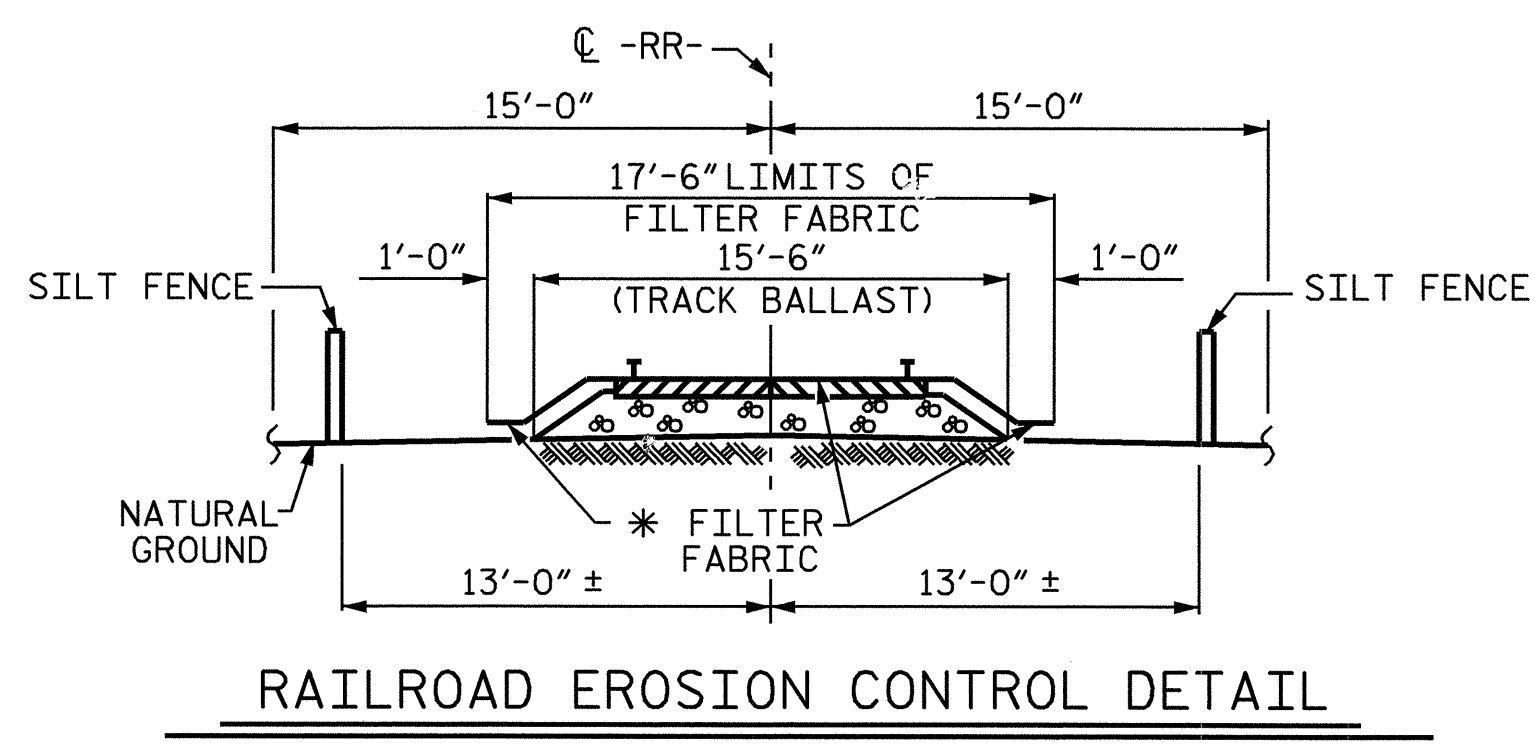
B. M. #105 EL = 189.05 R/R SPIKE IN BASE OF 8" PINE 1.00' RIGHT OF
-BL-STA. 170+83, 160.66' RIGHT OF -L- STA. 169+37.17



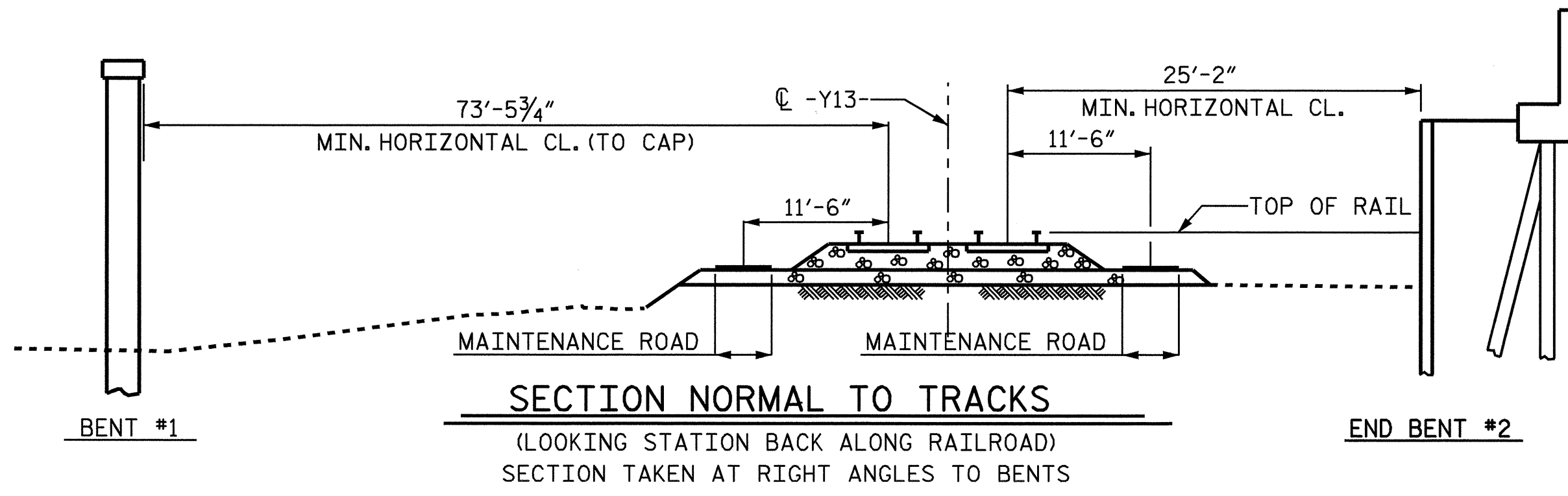
LOCATION SKETCH

FOR UTILITY INFORMATION, SEE UTILITIY PLANS AND SPECIAL PROVISIONS.

TOP OF RAIL ELEVATIONS	
STATION	ELEVATION
15+00.00 -Y13-	157.97
15+50.00 -Y13-	157.64
16+00.00 -Y13-	157.31
16+50.00 -Y13-	156.97
17+00.00 -Y13-	156.64
17+50.00 -Y13-	156.28
18+00.00 -Y13-	155.93
18+50.00 -Y13-	155.58
19+00.00 -Y13-	155.19
19+50.00 -Y13-	154.85
20+00.00 -Y13-	154.49
20+50.00 -Y13-	154.14
21+00.00 -Y13-	153.77



RAILROAD EROSION CONTROL DETAIL

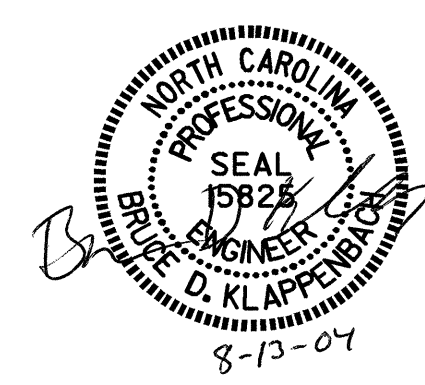


SECTION NORMAL TO TRACKS

PROJECT NO. U-0620
CUMBERLAND COUNTY
STATION: 161+95.29 -L-

SHEET 4 OF 5

STATE OF NORTH CAROLINA
DEPARTMENT OF TRANSPORTATION
RALEIGH
GENERAL DRAWING FOR
BRIDGE OVER CSX RR
ON HOPE MILLS
BYPASS BETWEEN
SR 1003 AND SR 1132
(RIGHT LANE)



REVISIONS						SHEET NO.	
NO.	BY:	DATE:	NO.	BY:	DATE:	5-92	
1			3			TOTAL SHEETS	
2			4			129	

DRAWN BY : M. G. SHAIKH DATE : 10-23-02
CHECKED BY : A. K. PASCHAL DATE : 12-12-02