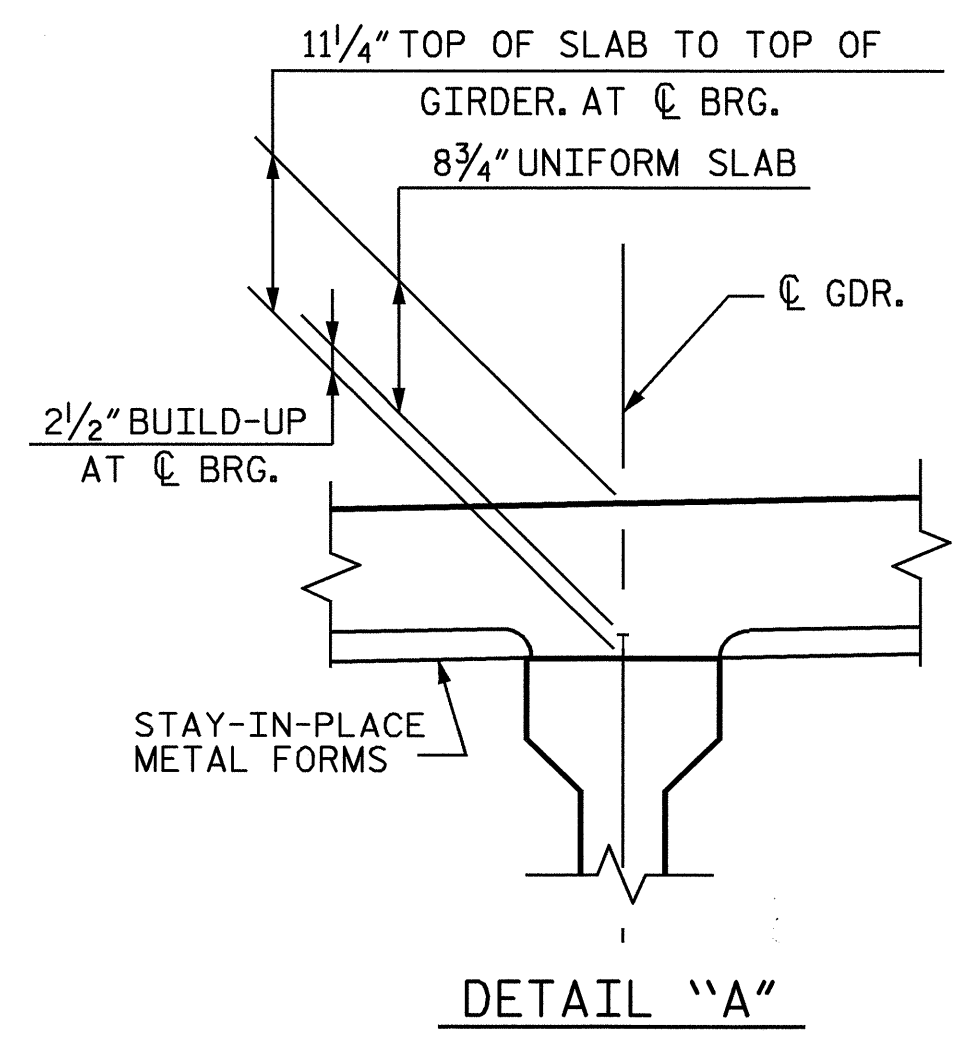


AT INTERMEDIATE DIAPHRAGMS

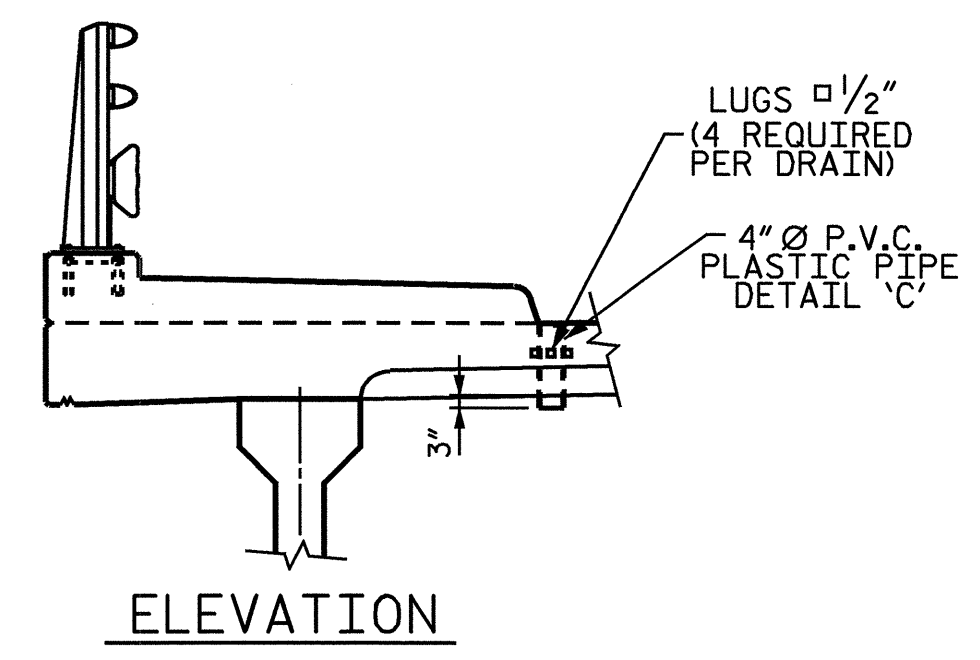
AT END BENT DIAPHRAGMS

TYPICAL SECTION  
 STAGE I

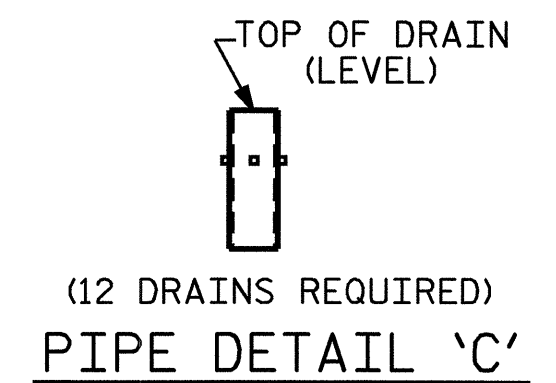
■ DIMENSIONS SHOWN ARE TO CURVES CONCENTRIC WITH C SURVEY -L-, GIRDERS ARE ON THE CHORDS OF THESE CURVES.



DETAIL "A"



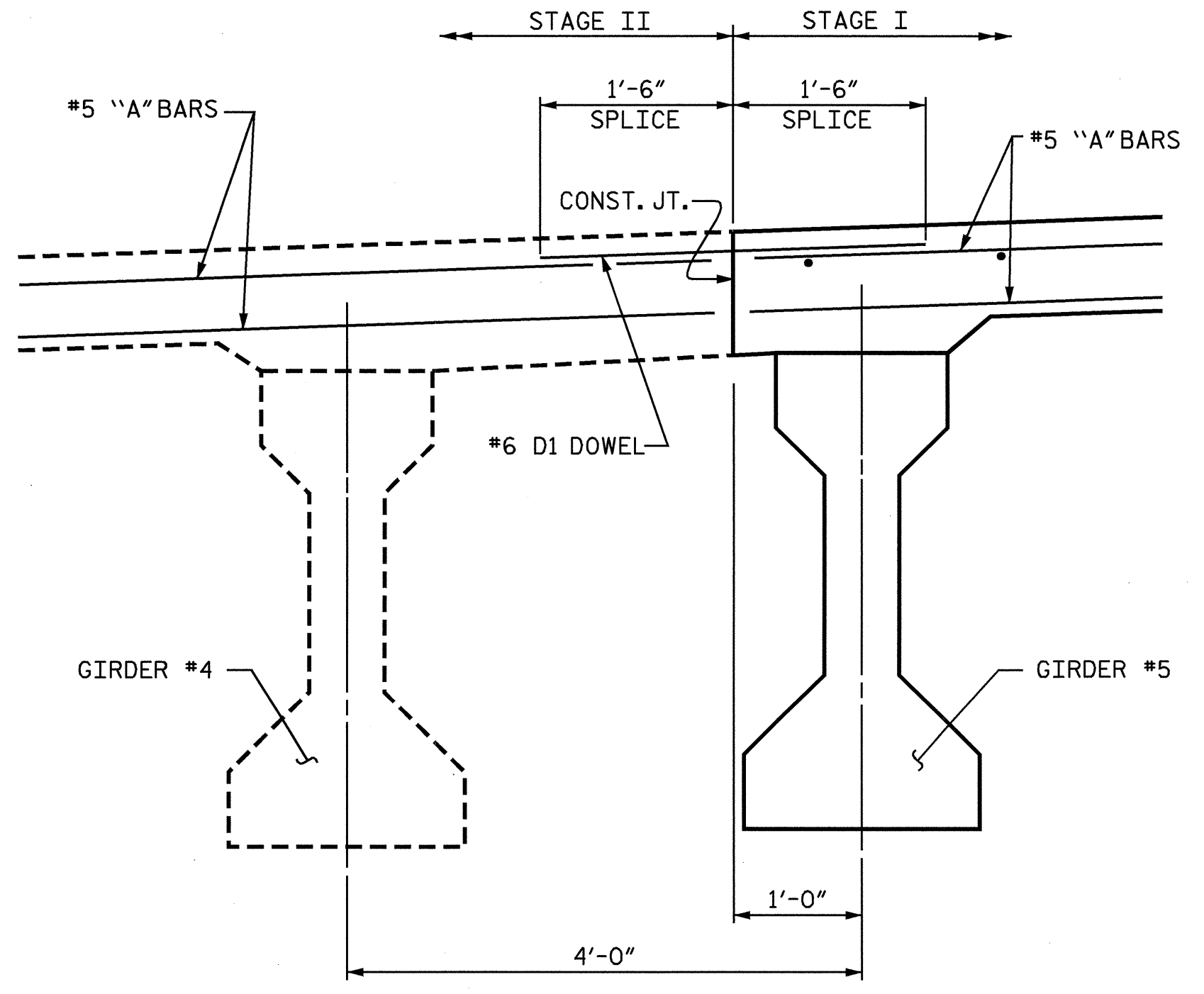
ELEVATION



(12 DRAINS REQUIRED)  
 PIPE DETAIL 'C'

DRAIN DETAILS

TOP OF FLOOR DRAINS TO BE SET 3/8" BELOW SURFACE OF SLAB.  
 4 - 1/2" LUGS TO BE GLUED TO THE P.V.C. PLASTIC PIPE AT EQUAL SPACES AROUND THE PIPE DRAIN.

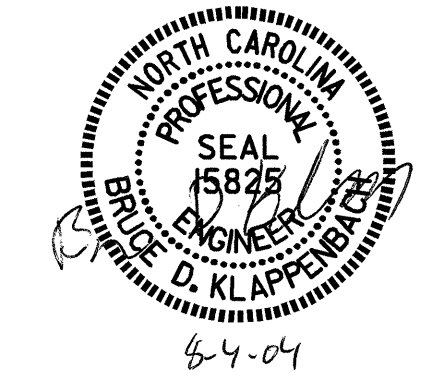


DETAIL "B"

PROJECT NO. U-0620  
 CUMBERLAND COUNTY  
 STATION: 32+18.00-L-

SHEET 1 OF 3

STATE OF NORTH CAROLINA  
 DEPARTMENT OF TRANSPORTATION  
 RALEIGH  
 SUPERSTRUCTURE  
 TYPICAL SECTION  
 (STAGE I)



REVISIONS						SHEET NO.
NO.	BY:	DATE:	NO.	BY:	DATE:	S-5
1			3			TOTAL SHEETS
2			4			129

DRAWN BY : M. G. SHAIKH DATE : 04-23-03  
 CHECKED BY : D. A. GLADDEN DATE : 07-03