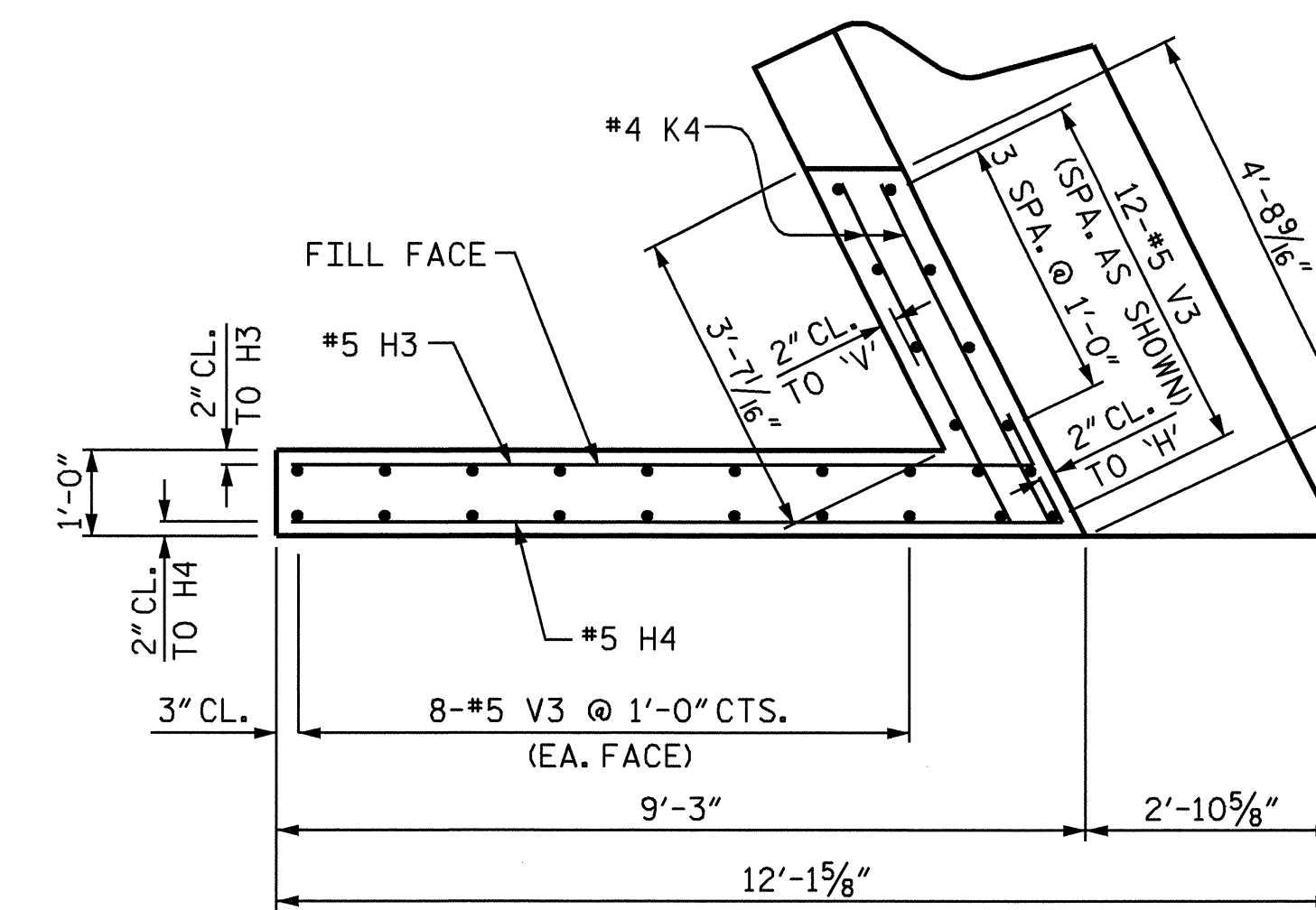
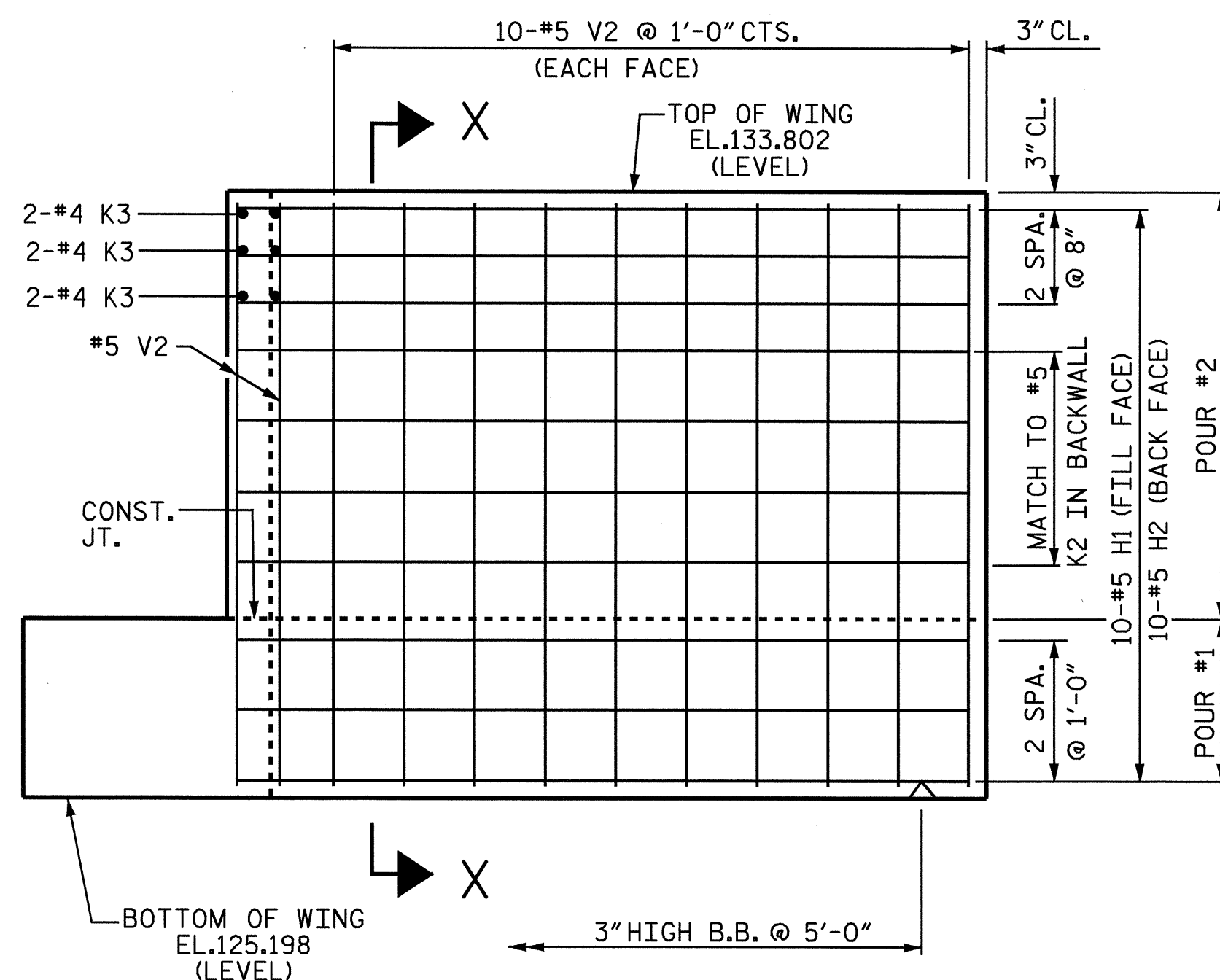


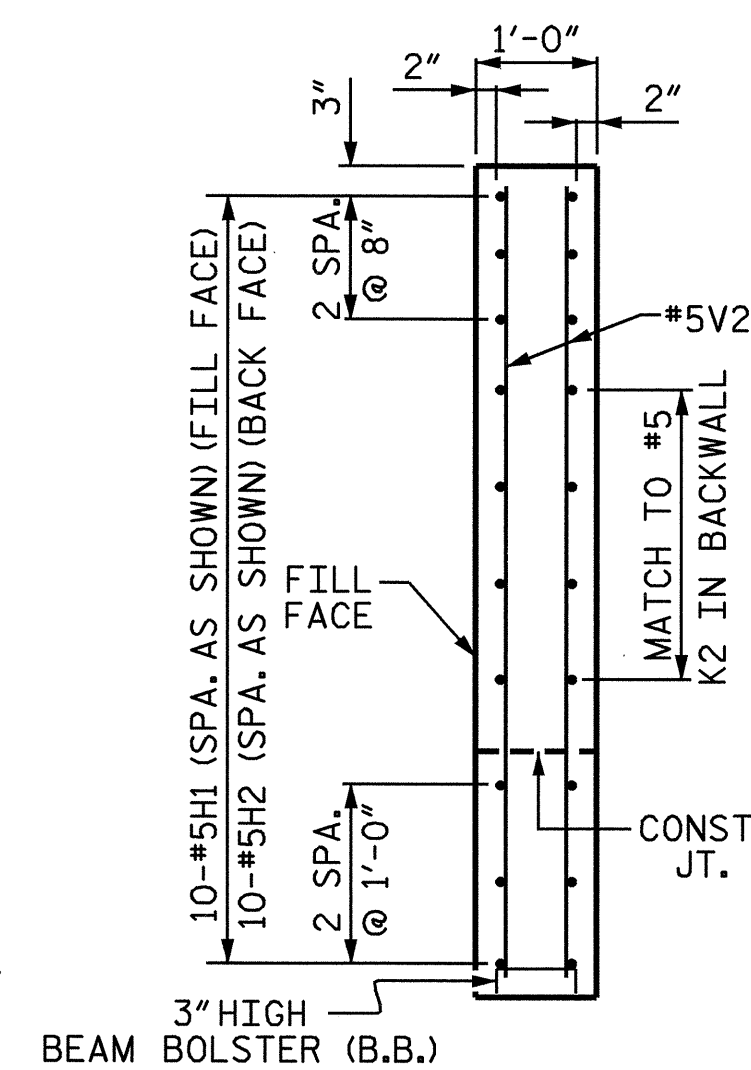
PLAN OF W1



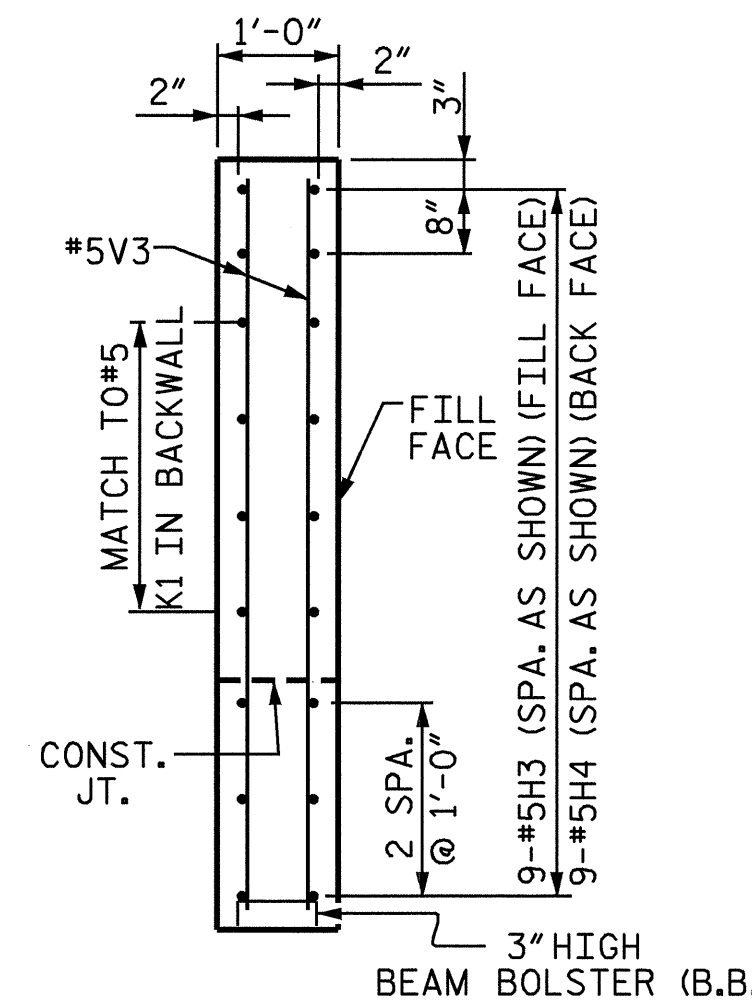
PLAN OF W2



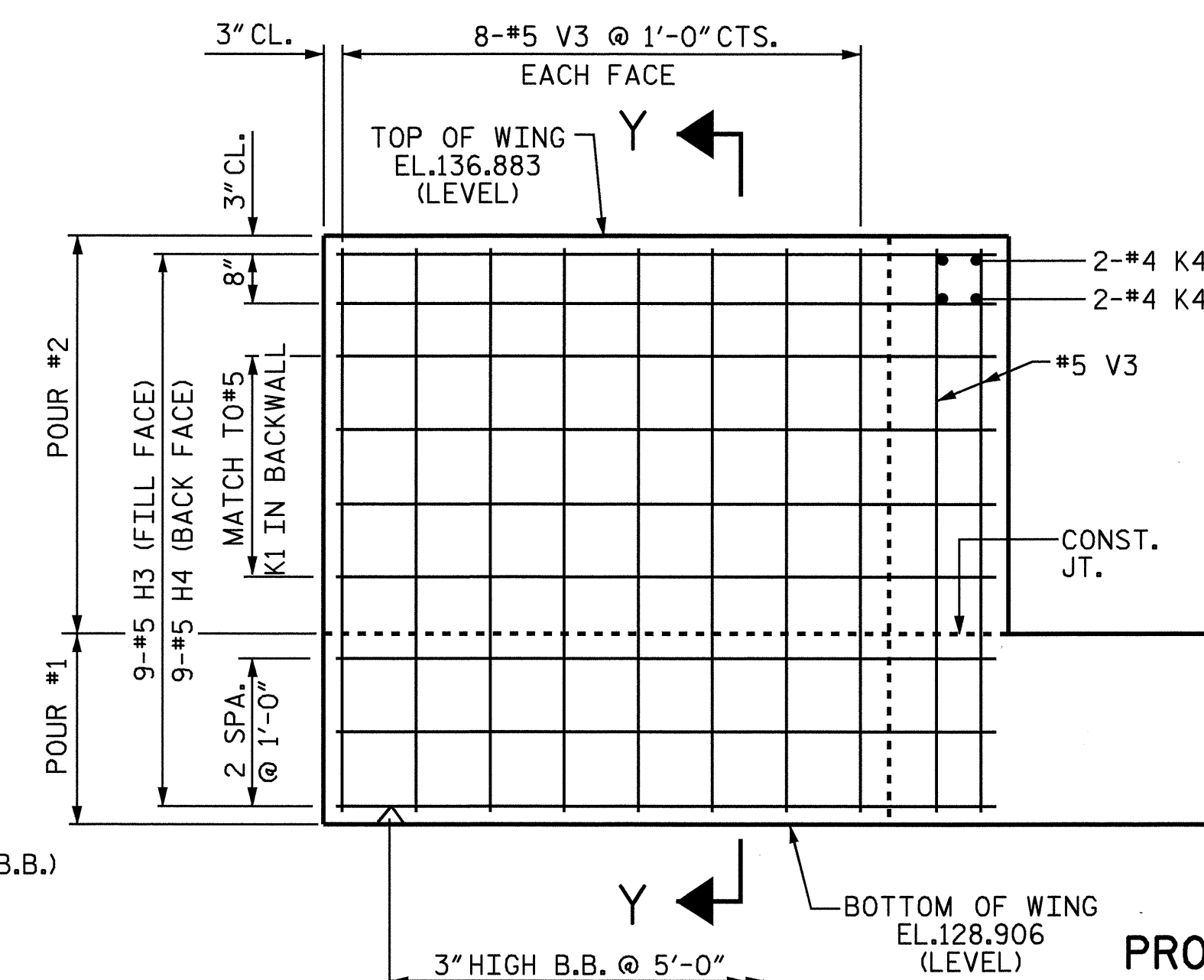
ELEVATION OF W1



SECTION X-X



SECTION Y-Y



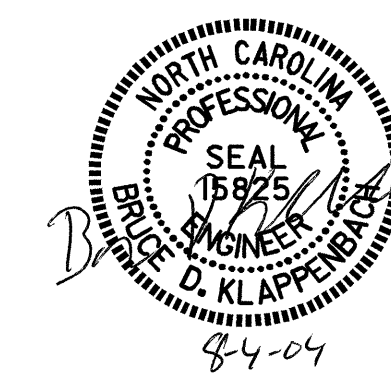
ELEVATION OF W2

PROJECT NO. U-0620
CUMBERLAND COUNTY
 STATION: 32+18.00 -L-

SHEET 2 OF 3

STATE OF NORTH CAROLINA
 DEPARTMENT OF TRANSPORTATION
 RALEIGH

SUBSTRUCTURE
 END BENT #1



DRAWN BY : M. G. SHAIKH DATE : 01-08-04
 CHECKED BY : D. A. GLADDEN DATE : 03-05-04

26-JUL-2004 15:58
 W:\squad\U0620\str1\mshalkh\mlocrostatlon\STG 1 & 2\U-0620_ed.E*.01.dgn
 bklappenbach

REVISIONS						TOTAL SHEETS
NO.	BY:	DATE:	NO.	BY:	DATE:	129
1			3			
2			4			

STR #1