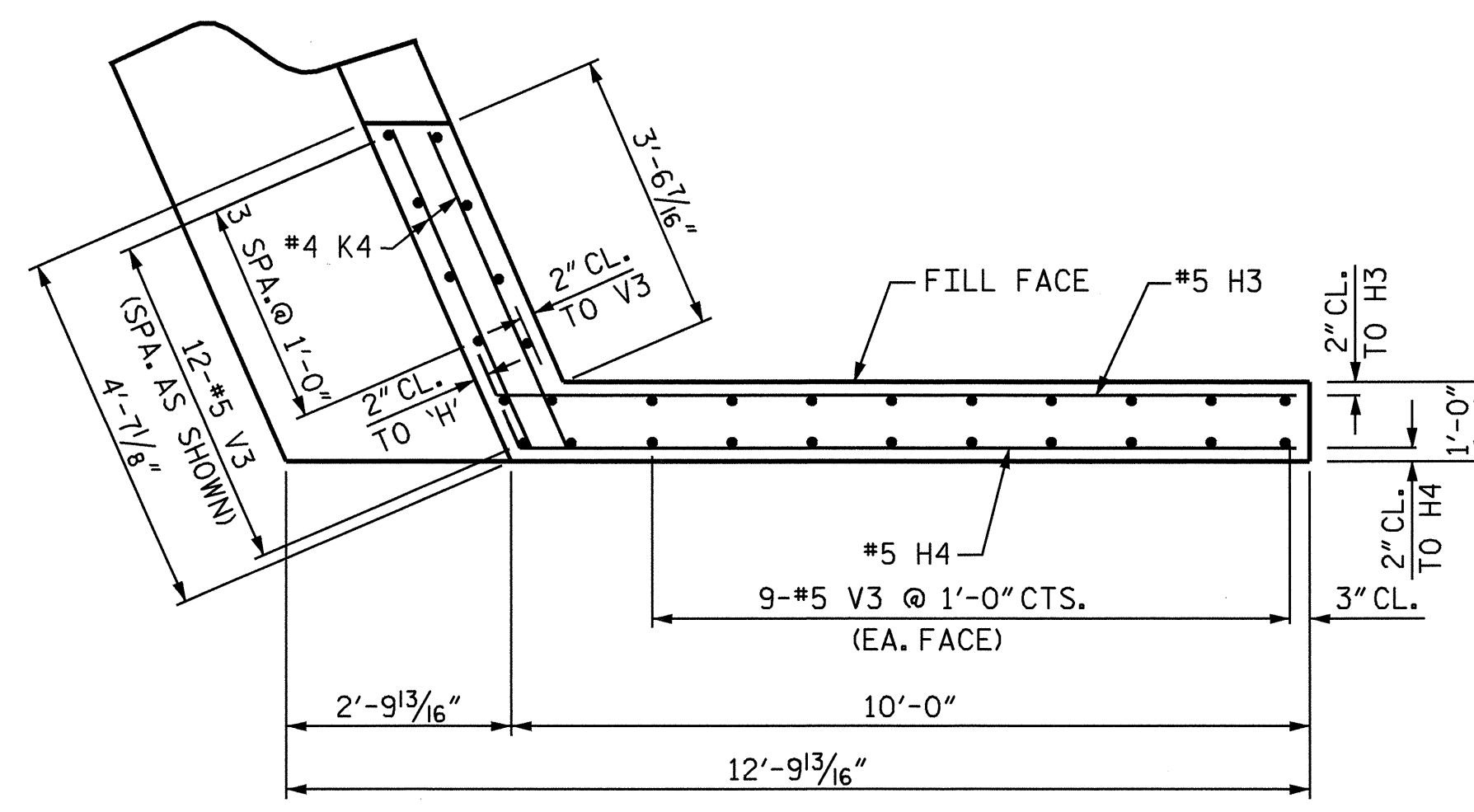
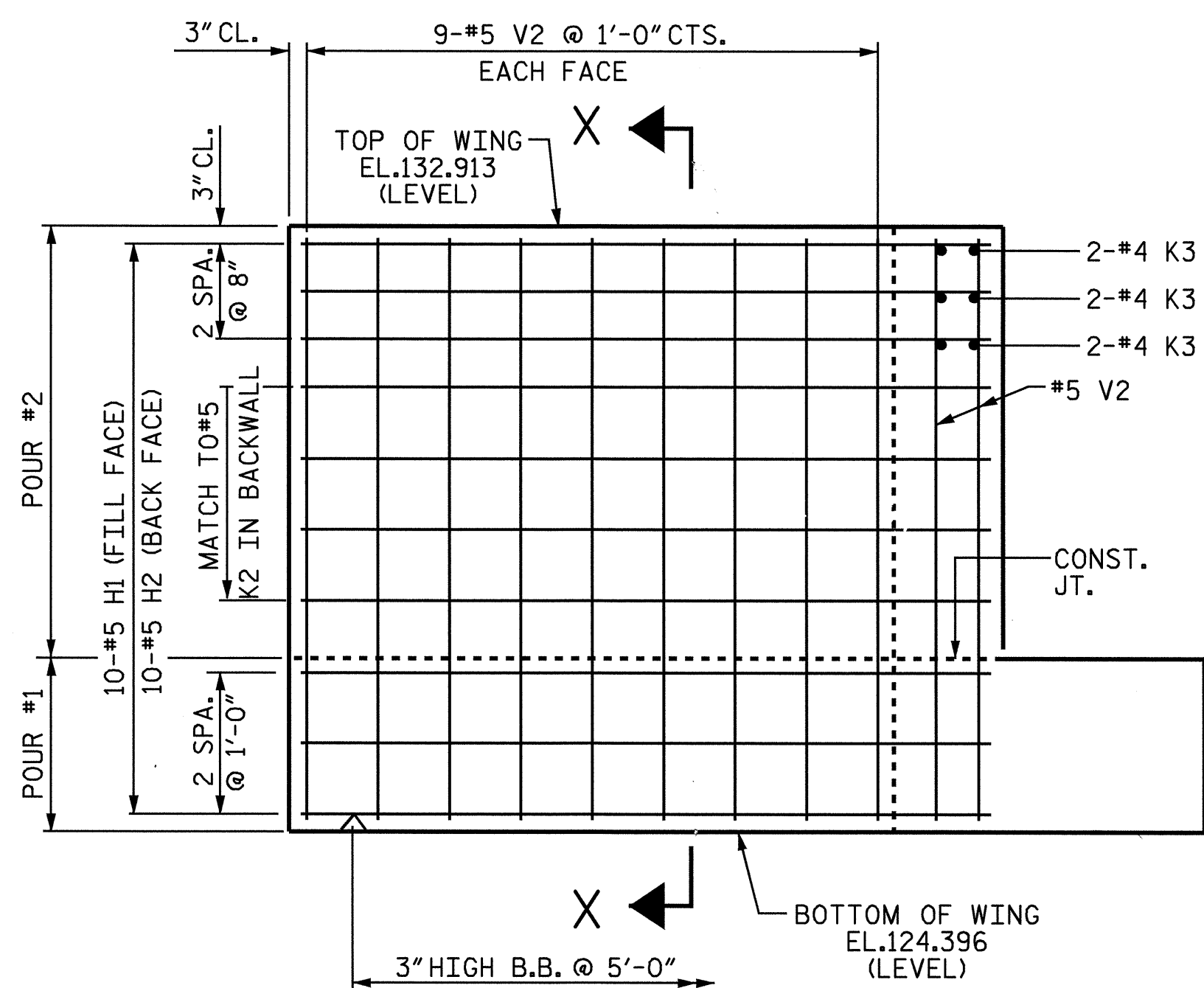


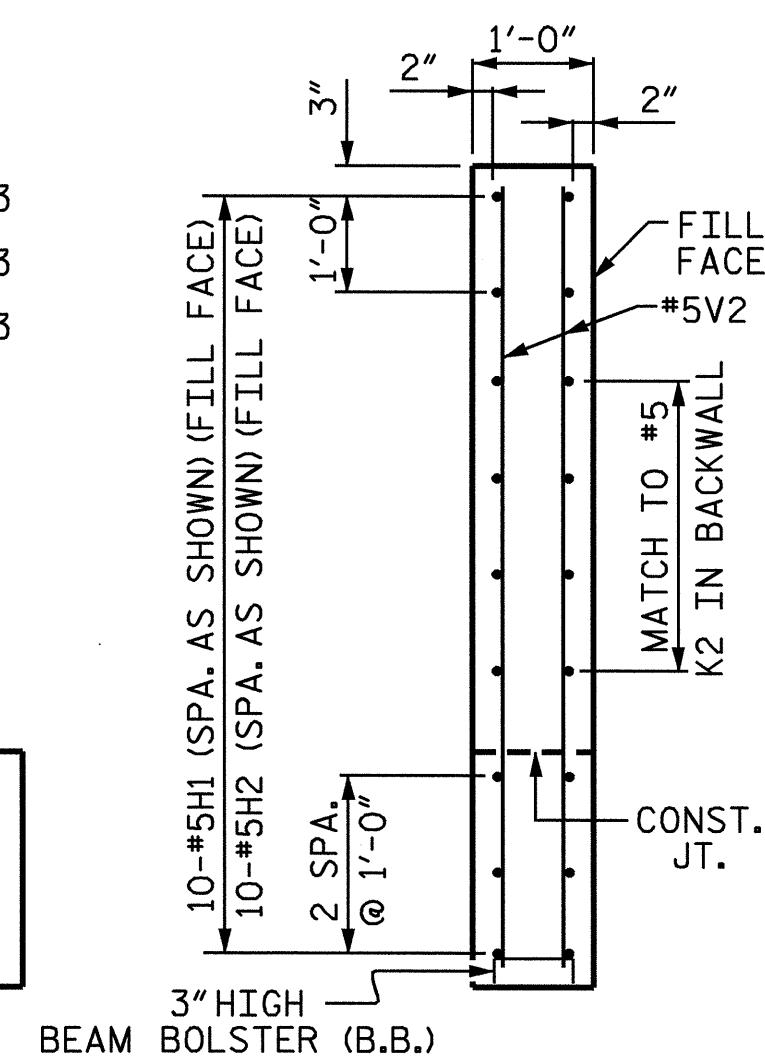
PLAN OF W1



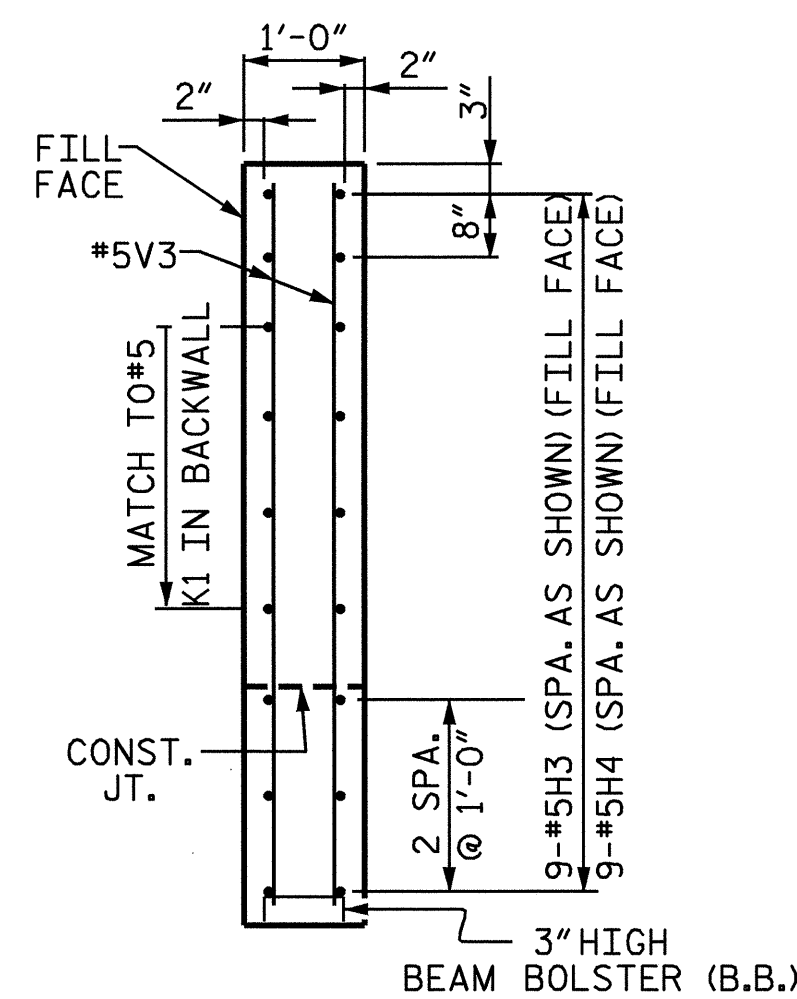
PLAN OF W2



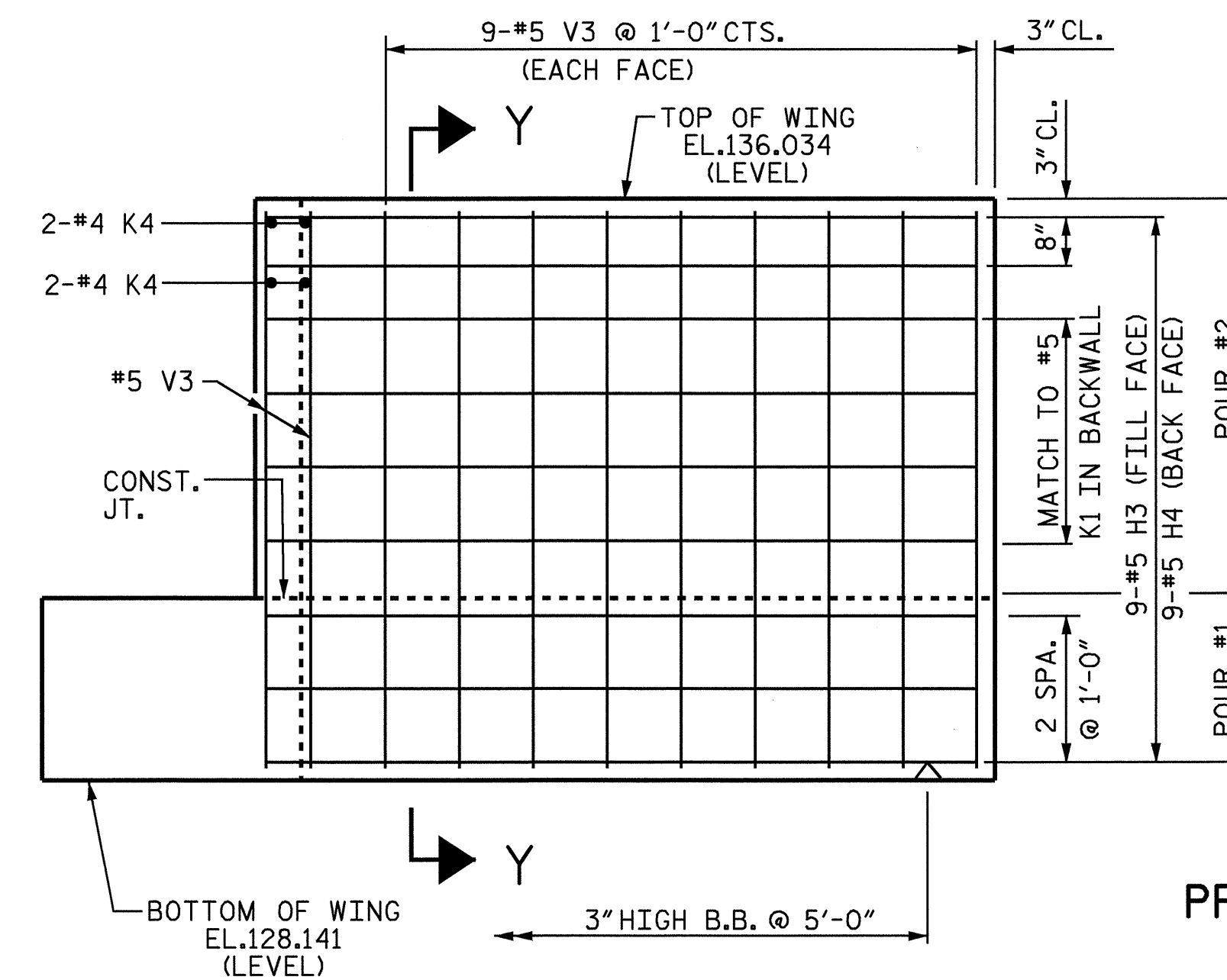
ELEVATION OF W1



SECTION X-X



SECTION Y-Y



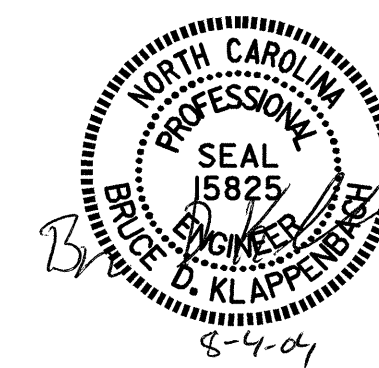
ELEVATION OF W2

PROJECT NO. U-0620  
CUMBERLAND COUNTY  
 STATION: 32+18.00 -L-

SHEET 2 OF 3

STATE OF NORTH CAROLINA  
 DEPARTMENT OF TRANSPORTATION  
 RALEIGH

SUBSTRUCTURE  
 END BENT #2



DRAWN BY : M. G. SHAIKH DATE : 01-16-04  
 CHECKED BY : D. A. GLADDEN DATE : 03-05-04

26-JUL-2004 16:03  
 W:\squad\U0620\Str1\mshalkh\mlocostation\STG 1 & 2\U-0620.sd.E\*.01.dgn  
 bklappenbach

REVISIONS						TOTAL SHEETS
NO.	BY:	DATE:	NO.	BY:	DATE:	129
1			3			
2			4			

STR #1