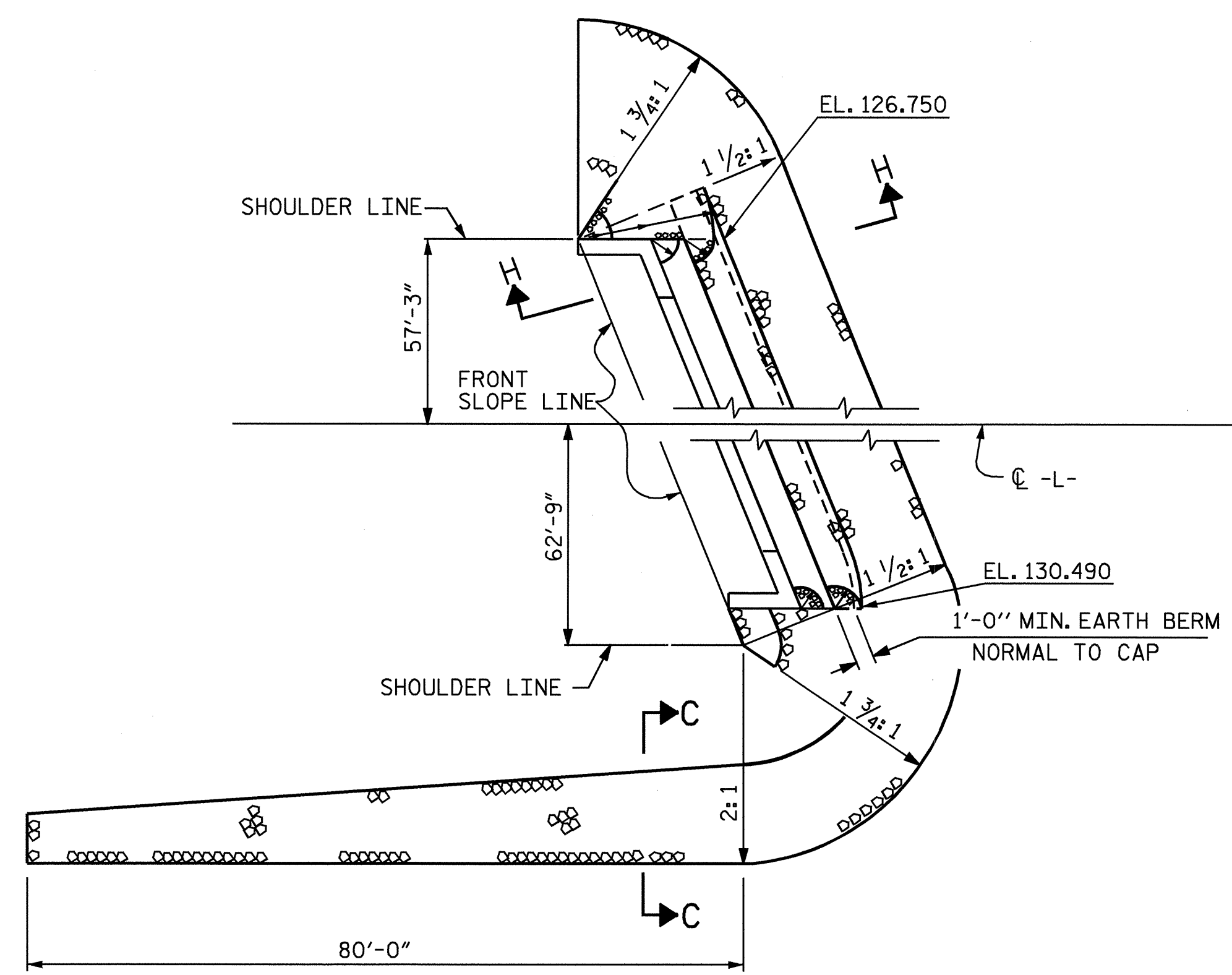
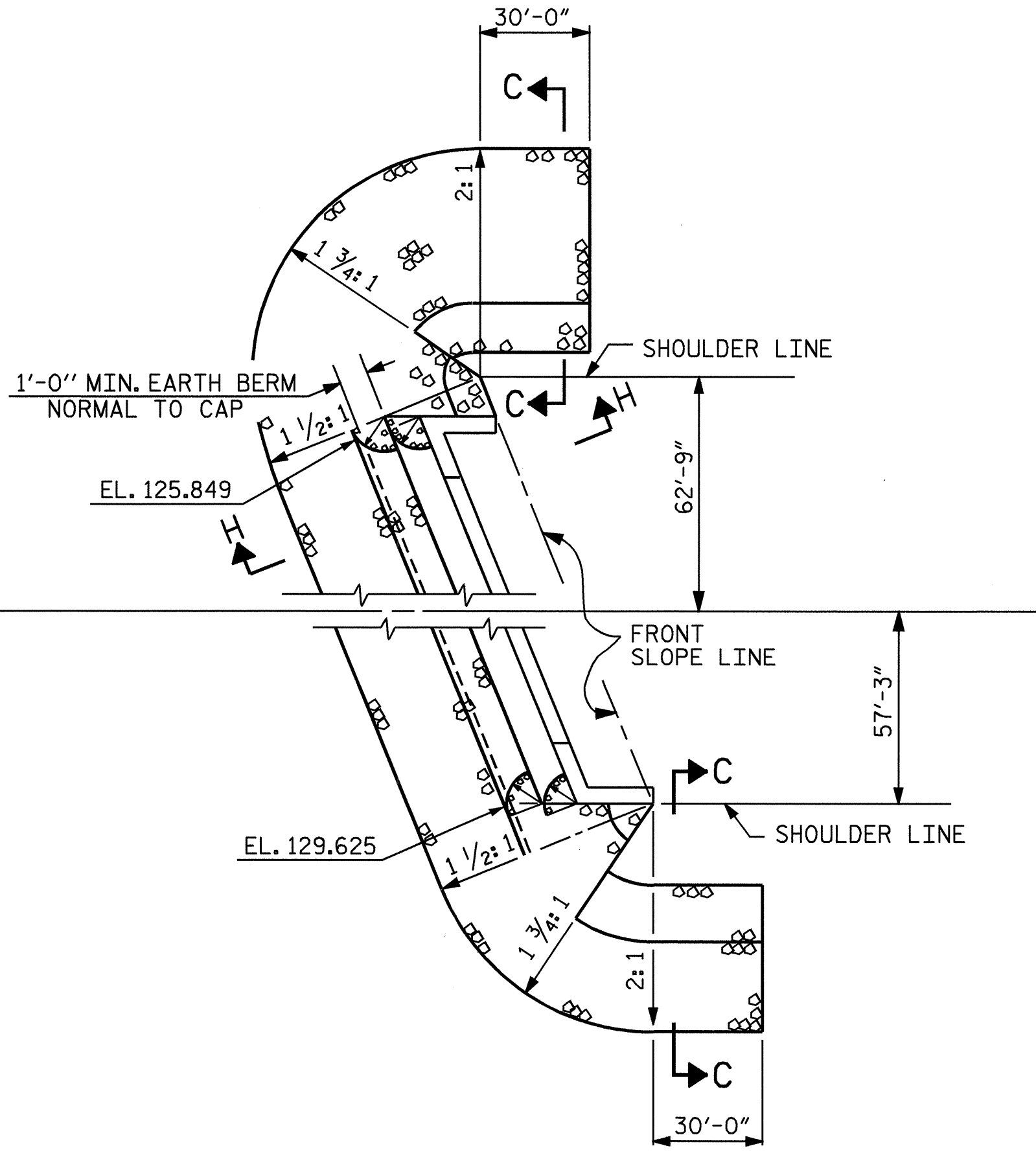


NOTES :
FOR BERM WIDTH DIMENSIONS, SEE GENERAL DRAWING.

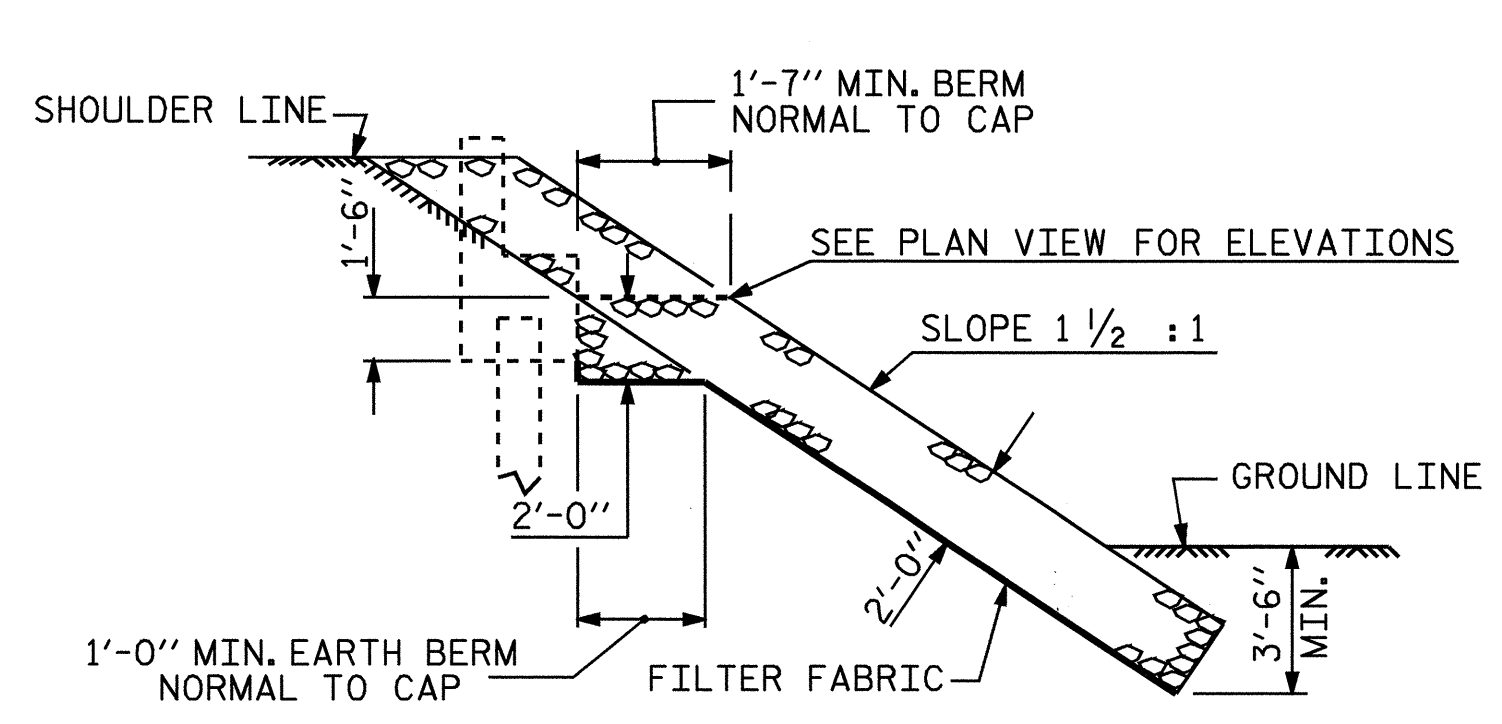


PLAN AT END BENT #1

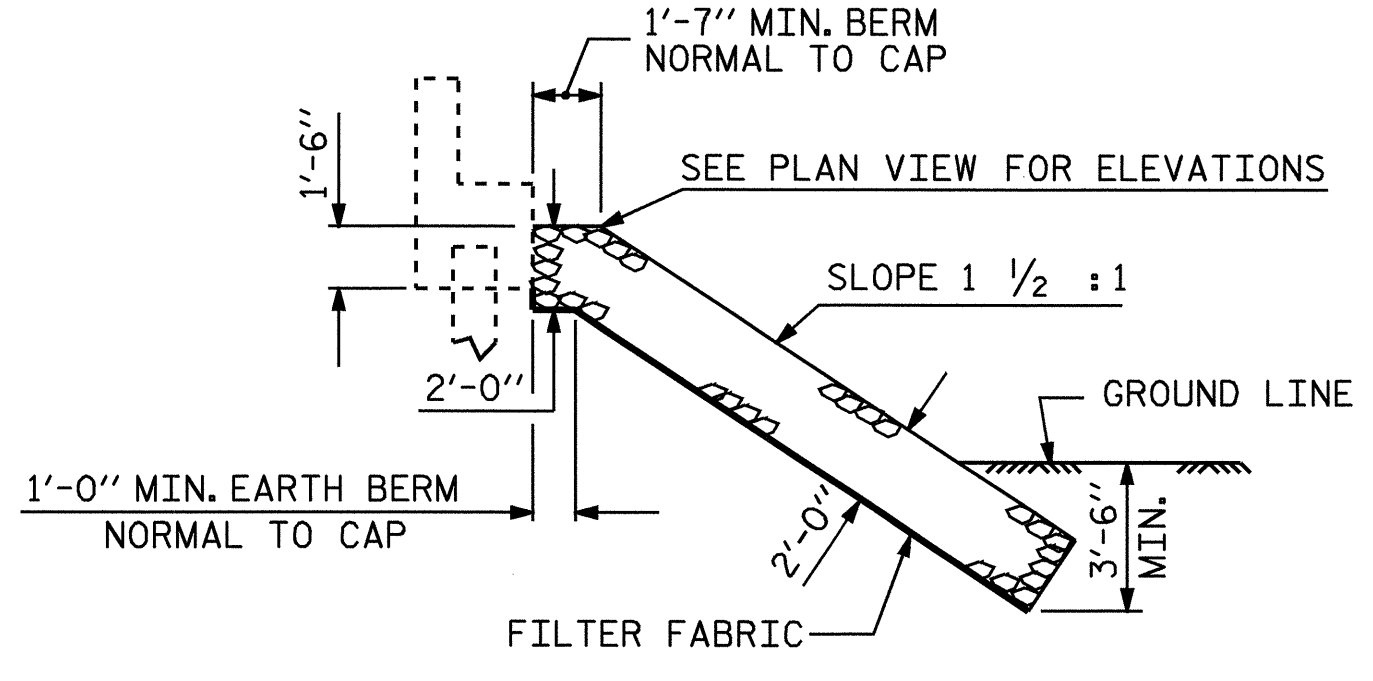


PLAN AT END BENT #2

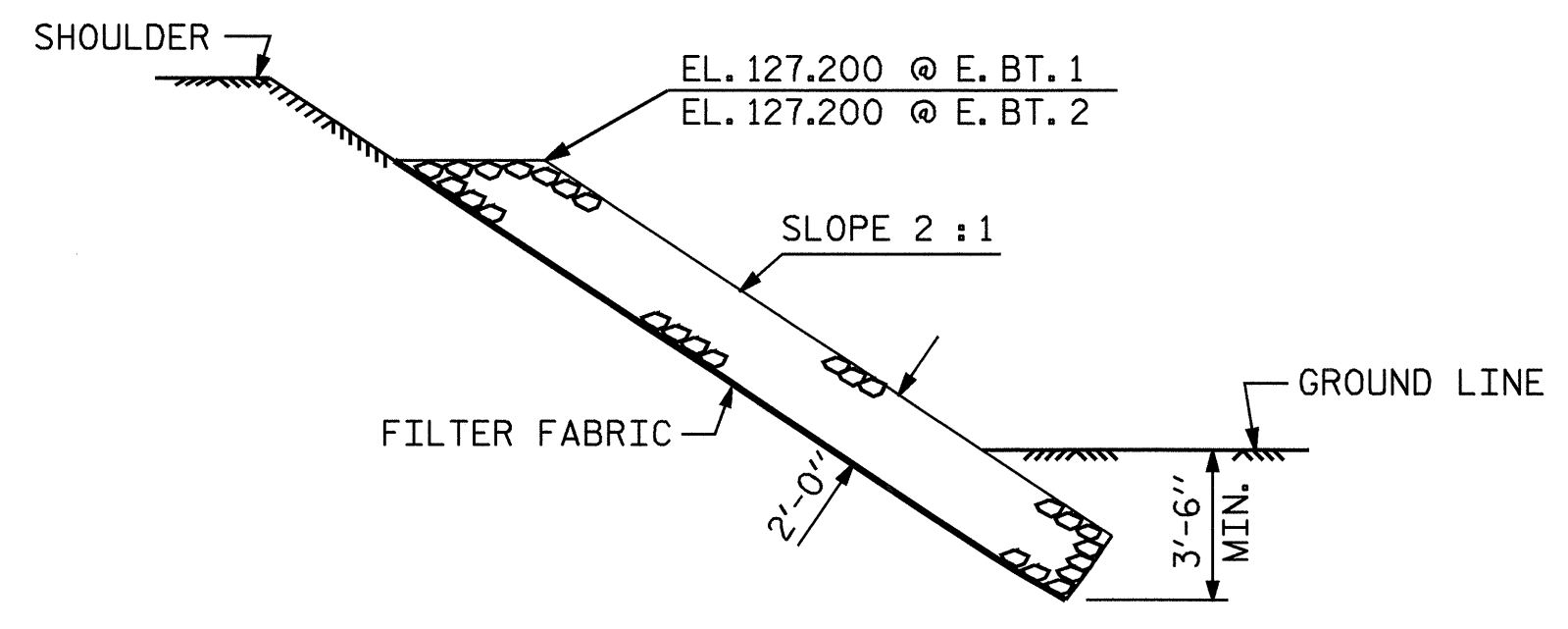
ESTIMATED QUANTITIES		
BRIDGE @ STA. 32+18.00 -L-	PLAIN RIP RAP CLASS II	FILTER FABRIC FOR DRAINAGE
	TONS	SQUARE YARDS
END BENT 1	209	233
END BENT 2	285	316
TOTAL	494	549



SECTION H-H
(LEFT SIDE-END BENT 1 & 2)



SECTION C-C
BERM RIP RAPPED
(RIGHT SIDE-END BENT 1 & 2)



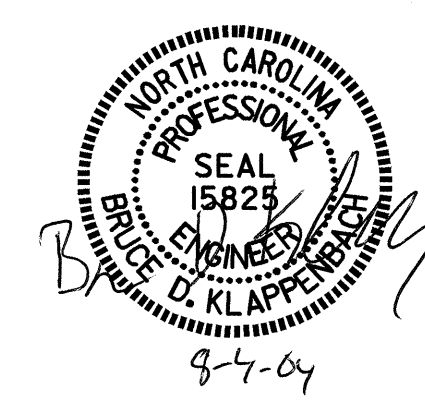
SECTION C-C

PROJECT NO. U-0620
CUMBERLAND COUNTY
STATION: 32+18.000 -L-

STATE OF NORTH CAROLINA
DEPARTMENT OF TRANSPORTATION
RALEIGH

RIP RAP DETAILS

REVISIONS						SHEET NO. S-42
NO.	BY:	DATE:	NO.	BY:	DATE:	
1			3			TOTAL SHEETS 129
2			4			



ASSEMBLED BY : J.B. WILSON	DATE : 7/03
CHECKED BY : D.A. GLADDEN	DATE : 3/04
DRAWN BY : REK 1/84	REV. 7/17/98 REK/RWW
CHECKED BY : RDU 1/84	REV. 8/16/99 RWW/LES
	REV. 10/17/00 RWW/LES