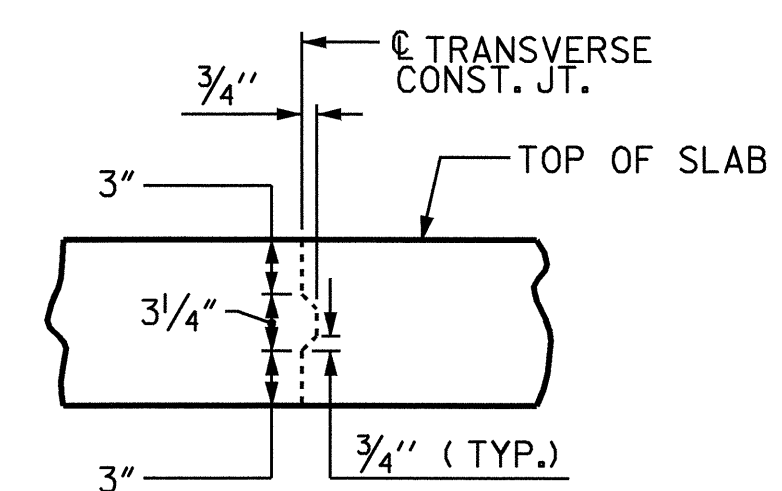


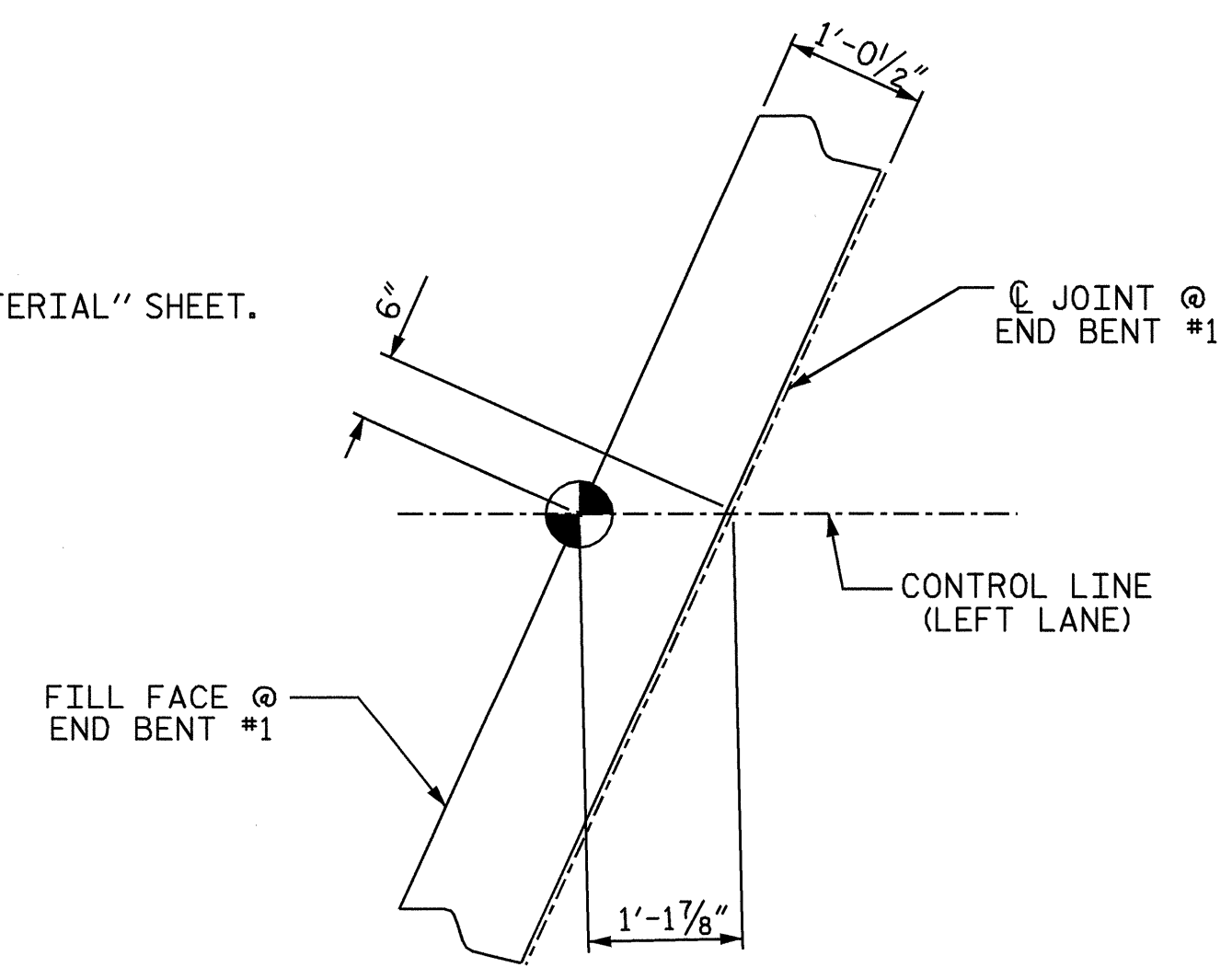
**PLAN OF SPAN "A"**

FOR POURING SEQUENCE, SEE "SUPERSTRUCTURE BILL OF MATERIAL" SHEET.



**TRANSVERSE CONSTRUCTION JOINT DETAIL**

NOTE: REINFORCING STEEL IN SLAB NOT SHOWN. LONGITUDINAL REINFORCING STEEL SHALL BE CONTINUOUS THRU JOINT

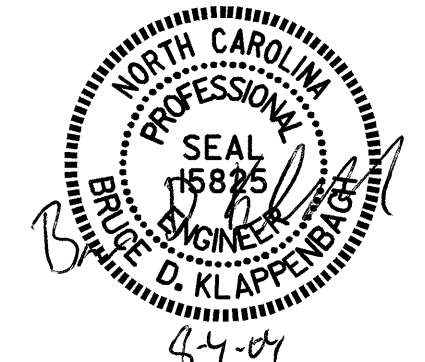


**DETAIL "C"**

PROJECT NO. U-0620  
CUMBERLAND COUNTY  
 STATION: 161+95.29 -L-

STATE OF NORTH CAROLINA  
 DEPARTMENT OF TRANSPORTATION  
 RALEIGH

**SUPERSTRUCTURE  
 PLAN OF SPAN "A"  
 (LEFT LANE)**



REVISIONS						SHEET NO.
NO.	BY:	DATE:	NO.	BY:	DATE:	
1			3			9-55
2			4			TOTAL SHEETS 129

DRAWN BY: M. G. SHAIKH DATE: 10-17-03  
 CHECKED BY: D. A. GLADDEN DATE: 12-30-03