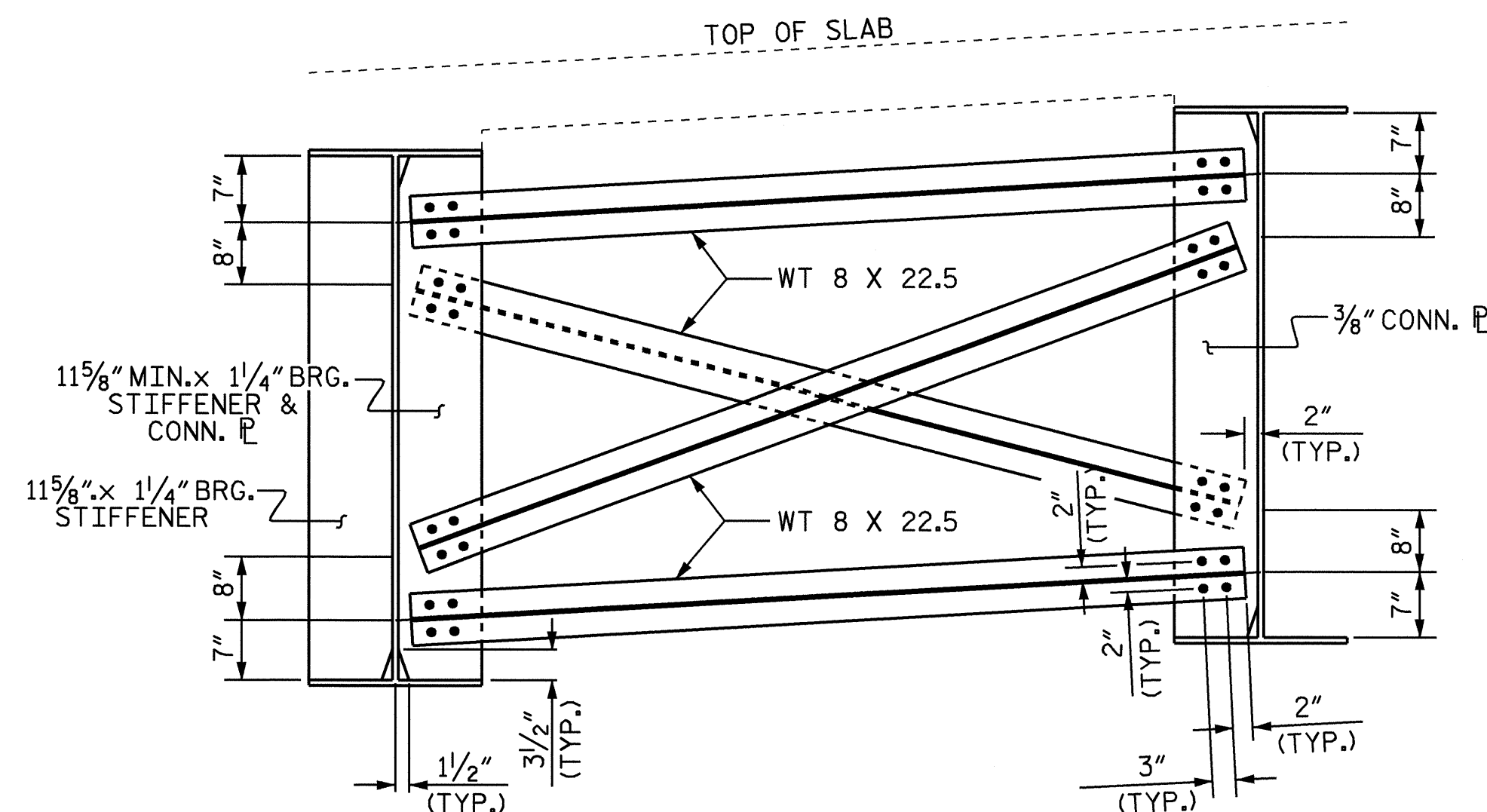
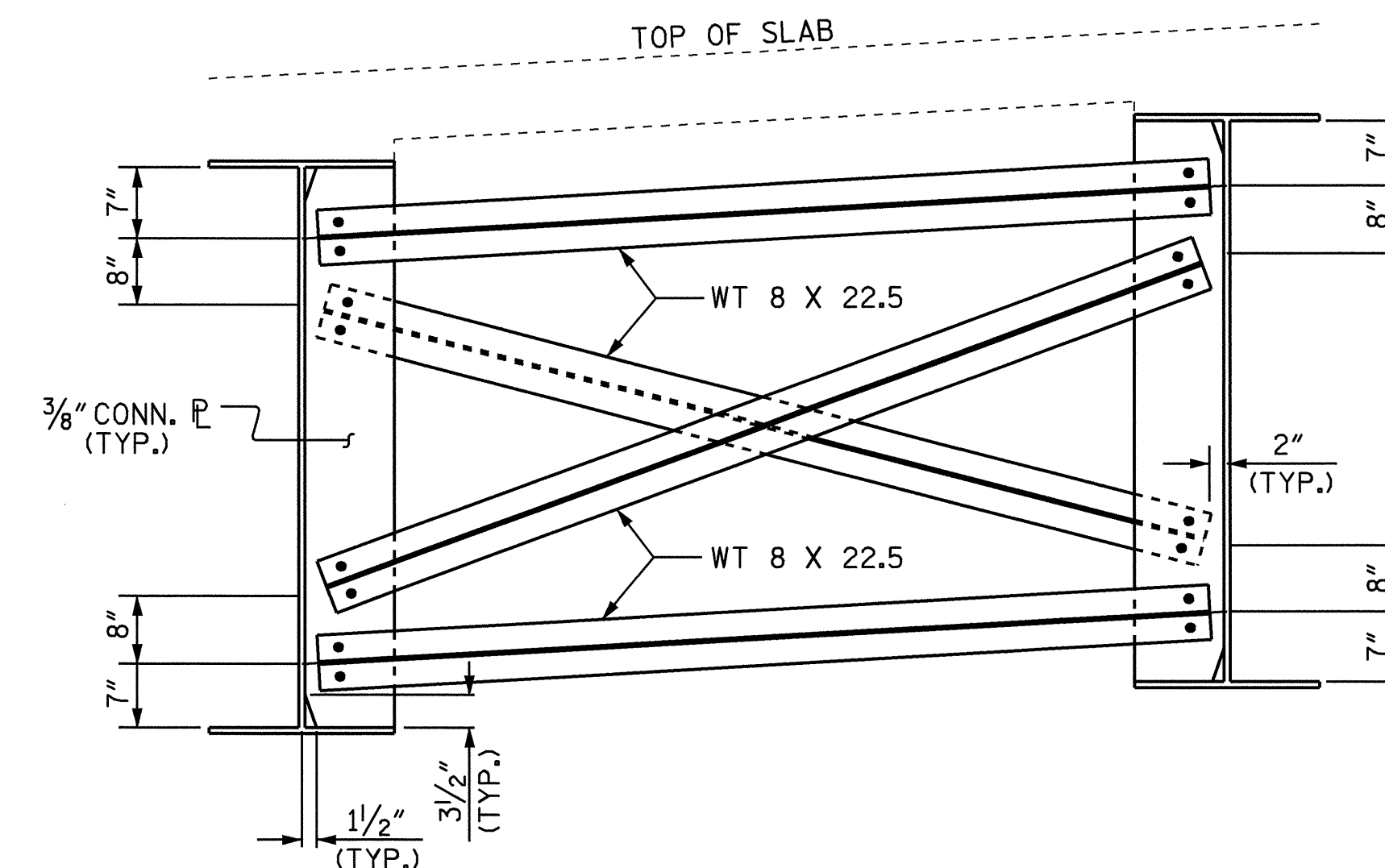


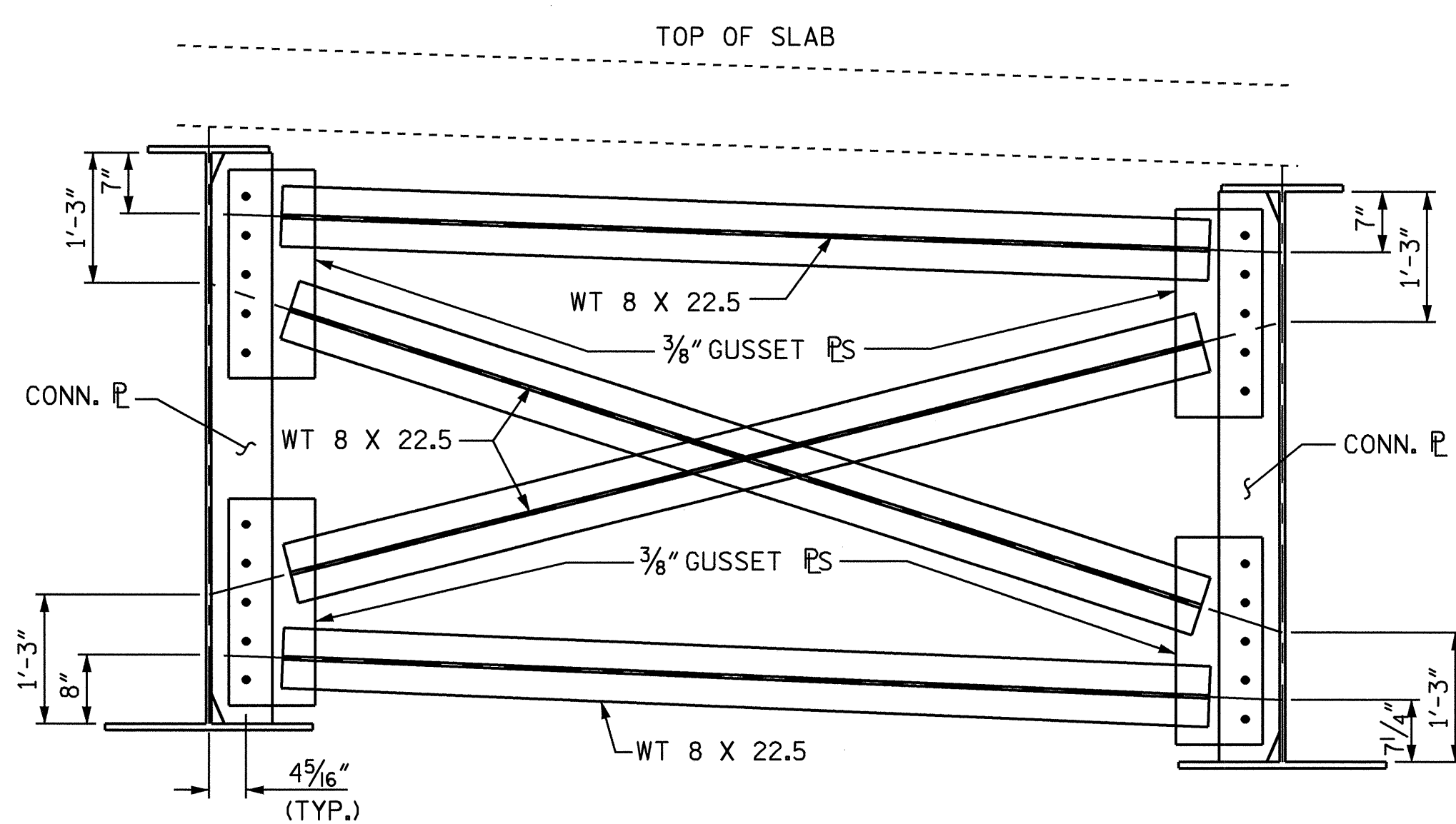
END BENT DIAPHRAGM (D1)



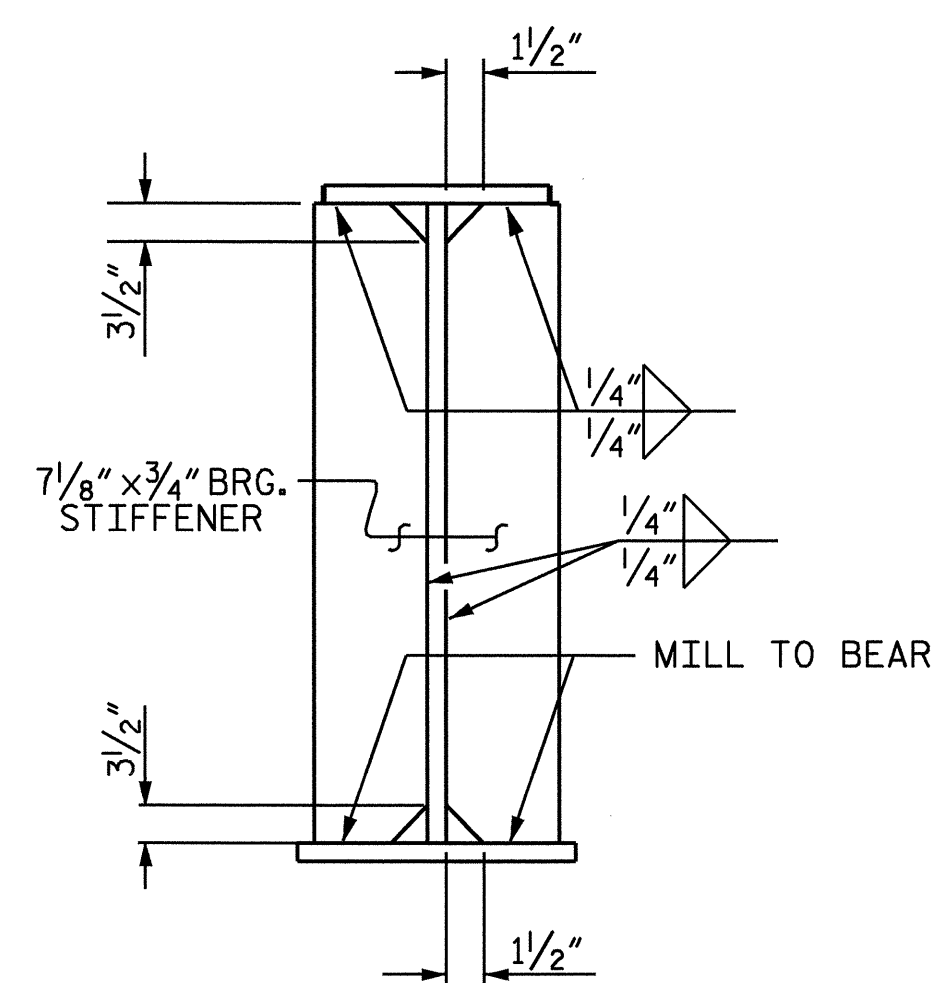
BENT DIAPHRAGM (D2)



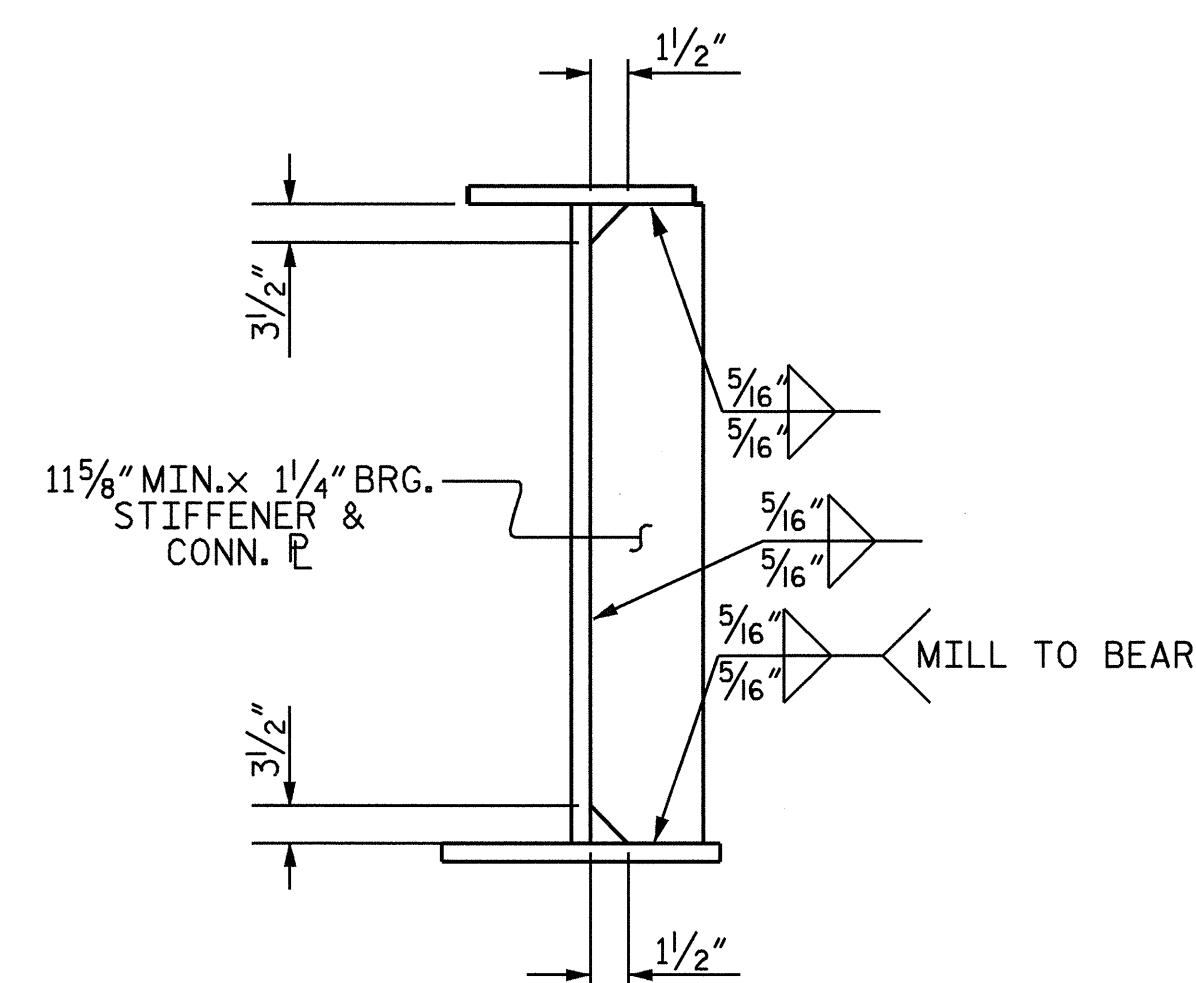
INTERMEDIATE DIAPHRAGM (D3)



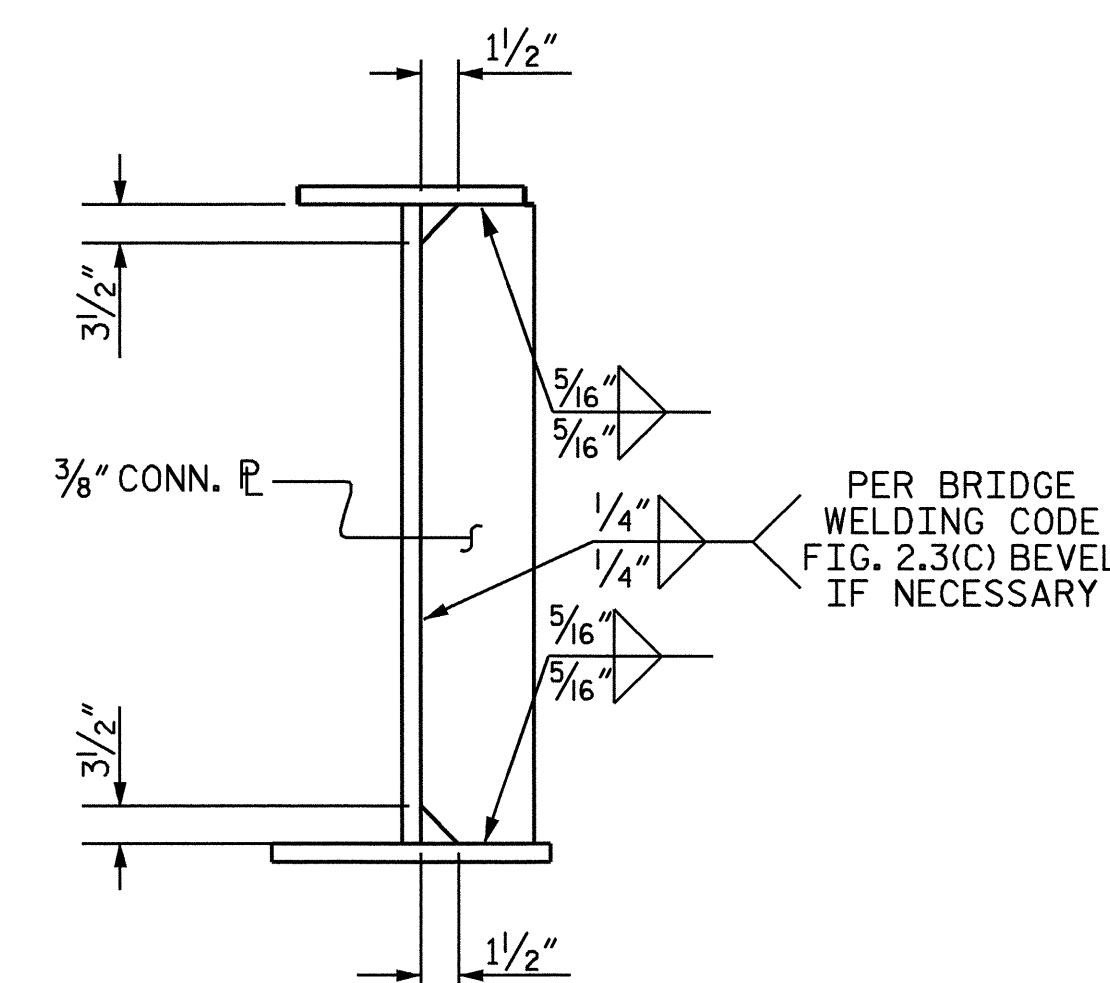
OPTIONAL INTERMEDIATE DIAPHRAGM OVER RR TRAFFIC



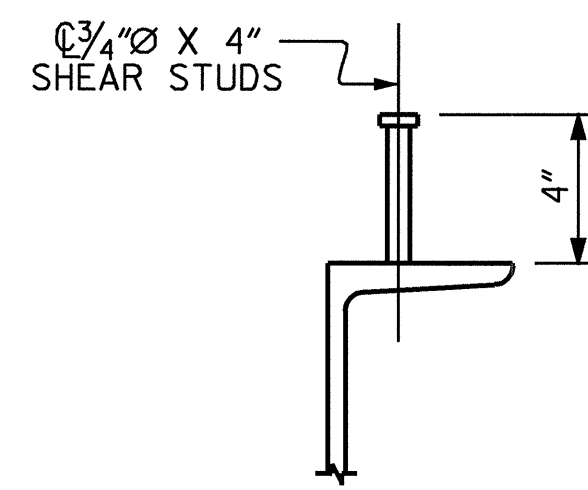
BEARING STIFFENER AT END BENT DIAPHRAGMS



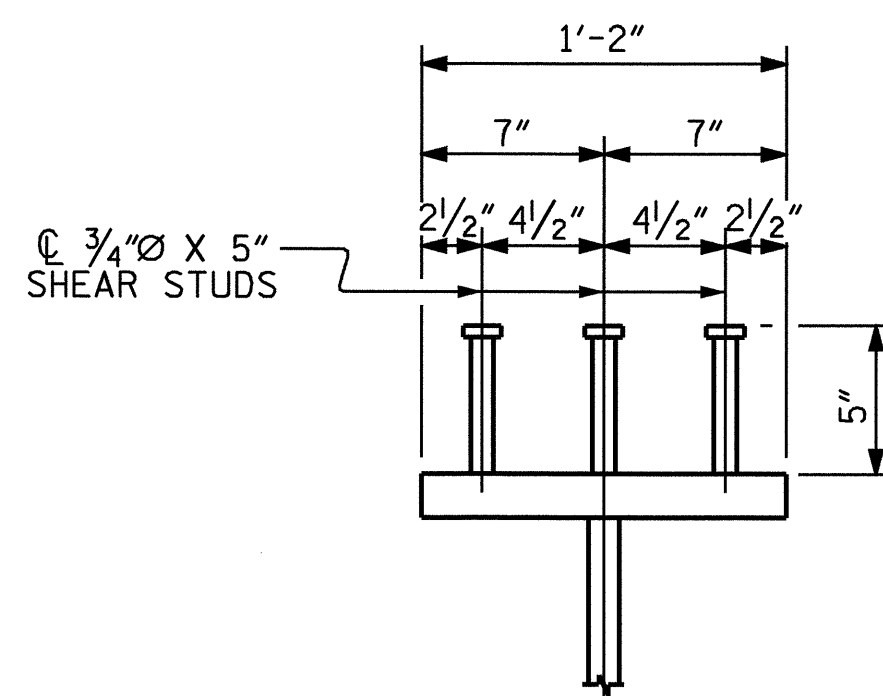
BEARING STIFFENER/CONNECTOR PLATE AT BENT DIAPHRAGMS



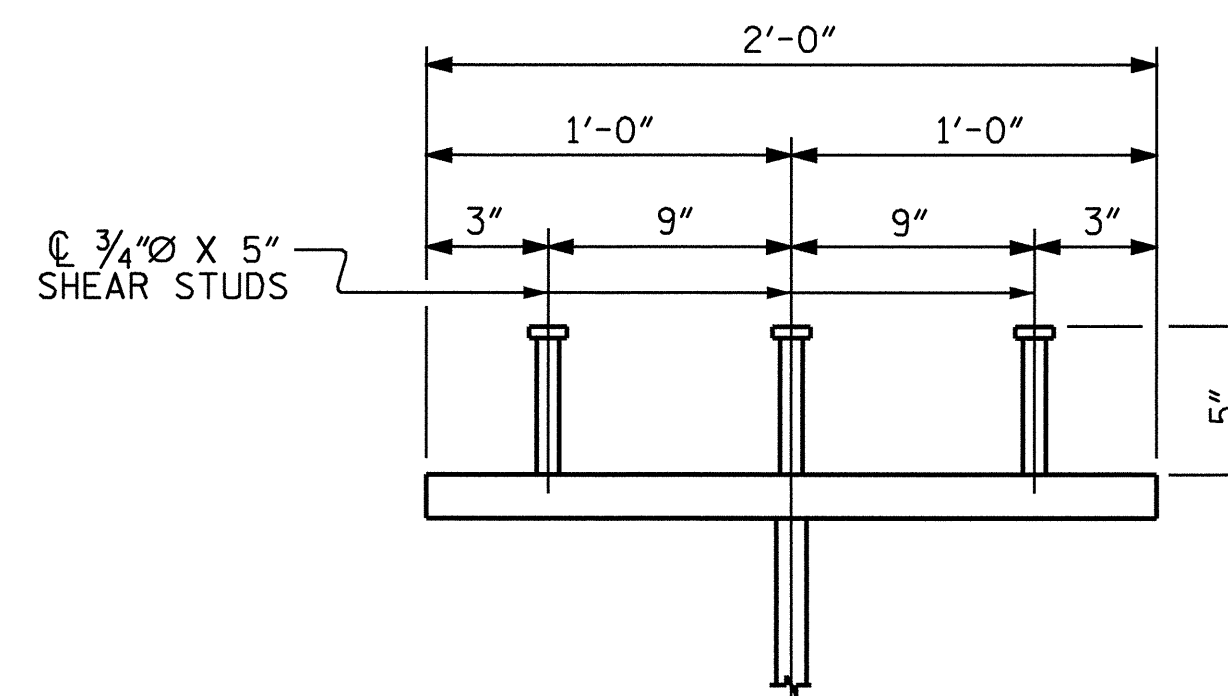
CONNECTOR PLATE



DIAPHRAGM



GIRDER



GIRDER

SHEAR STUD DETAILS

PROJECT NO. U-0620
CUMBERLAND COUNTY
 STATION: 161+95.29 -L-

SHEET 2 OF 4

STATE OF NORTH CAROLINA
 DEPARTMENT OF TRANSPORTATION
 RALEIGH

**SUPERSTRUCTURE
 STRUCTURAL STEEL
 DETAILS
 (LEFT LANE)**



REVISIONS						SHEET NO.	
NO.	BY:	DATE:	NO.	BY:	DATE:	5-60	
1			3			TOTAL SHEETS	
2			4			129	

DRAWN BY: M. G. SHAIKH DATE: 10-01-03
 CHECKED BY: D. A. GLADDEN DATE: 12-30-03

27-JUL-2004 07:31
 W:\squad\U0620\str2and3\mshalkh\mlocrostation\STR *2\U-0620.sd.SS.02.dgn
 dklappenbach

STR #2