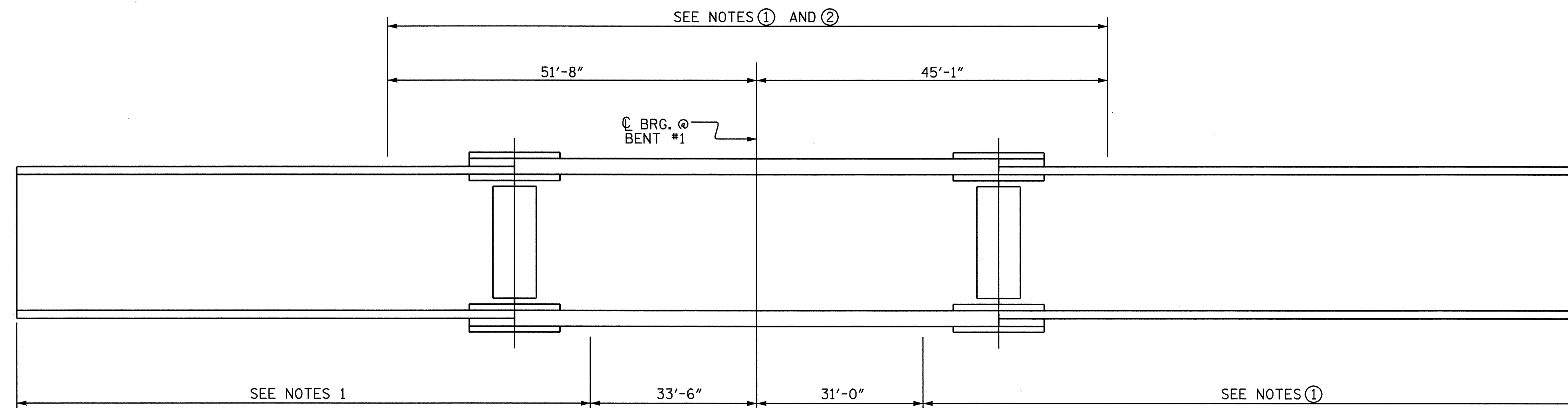


WELD TERMINATION DETAILS

TYPICAL FLANGE AND WEB BUTT JOINTS



NOTE ① : CHARPY V-NOTCH TESTS ARE REQUIRED FOR ALL TOP OR BOTTOM FLANGE PLATE WHICH FALLS WITHIN THESE LIMITS. ALL WEB PLATES, ALL MEMBERS IN THE DIAPHRAGMS AND ALL SPLICE PLATES, IF A PERMITTED SHOP FLANGE SPLICE IS NOT USED, CHARPY V-NOTCH TESTS WILL BE REQUIRED FOR THE ENTIRE FLANGE PLATE. FOR CHARPY V-NOTCH TESTS, SEE SPECIAL PROVISIONS.

NOTE ② : NO WELDING OF FORM OR FALSEWORK TO THE TOP FLANGE WILL BE PERMITTED IN THIS REGION.

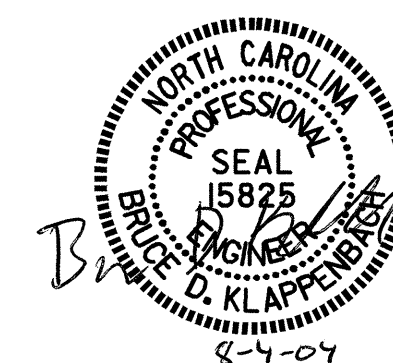
CHARPY V-NOTCH TEST FOR GIRDERS

PROJECT NO. U-0620
CUMBERLAND COUNTY
STATION: 161+95.29 -L-

SHEET 3 OF 4

STATE OF NORTH CAROLINA
DEPARTMENT OF TRANSPORTATION
RALEIGH

SUPERSTRUCTURE
STRUCTURAL STEEL
DETAILS
(LEFT LANE)



DRAWN BY : M. G. SHAIKH DATE : 10-01-03
CHECKED BY : D. A. GLADDEN DATE : 12-30-03

27-JUL-2004 07:31
W:\squad\U0620\Str2and3\mshalkh\Microstation\STR *2\U-0620_sd_SS_02.dgn
bklappenbach

REVISIONS					SHEET NO.
NO.	BY:	DATE:	NO.	BY:	DATE:
1			3		
2			4		

5-01
TOTAL SHEETS 129

STR #2