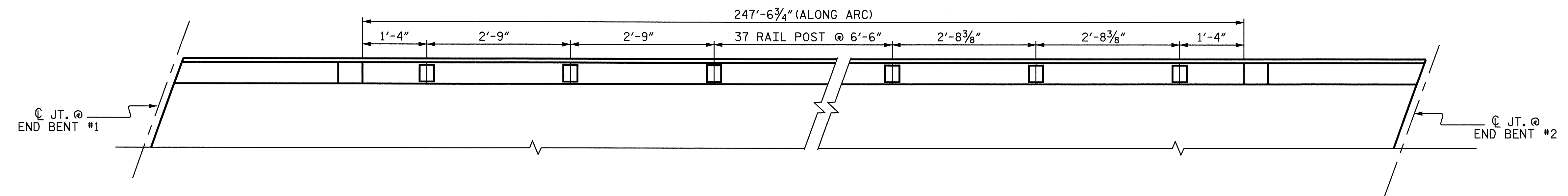
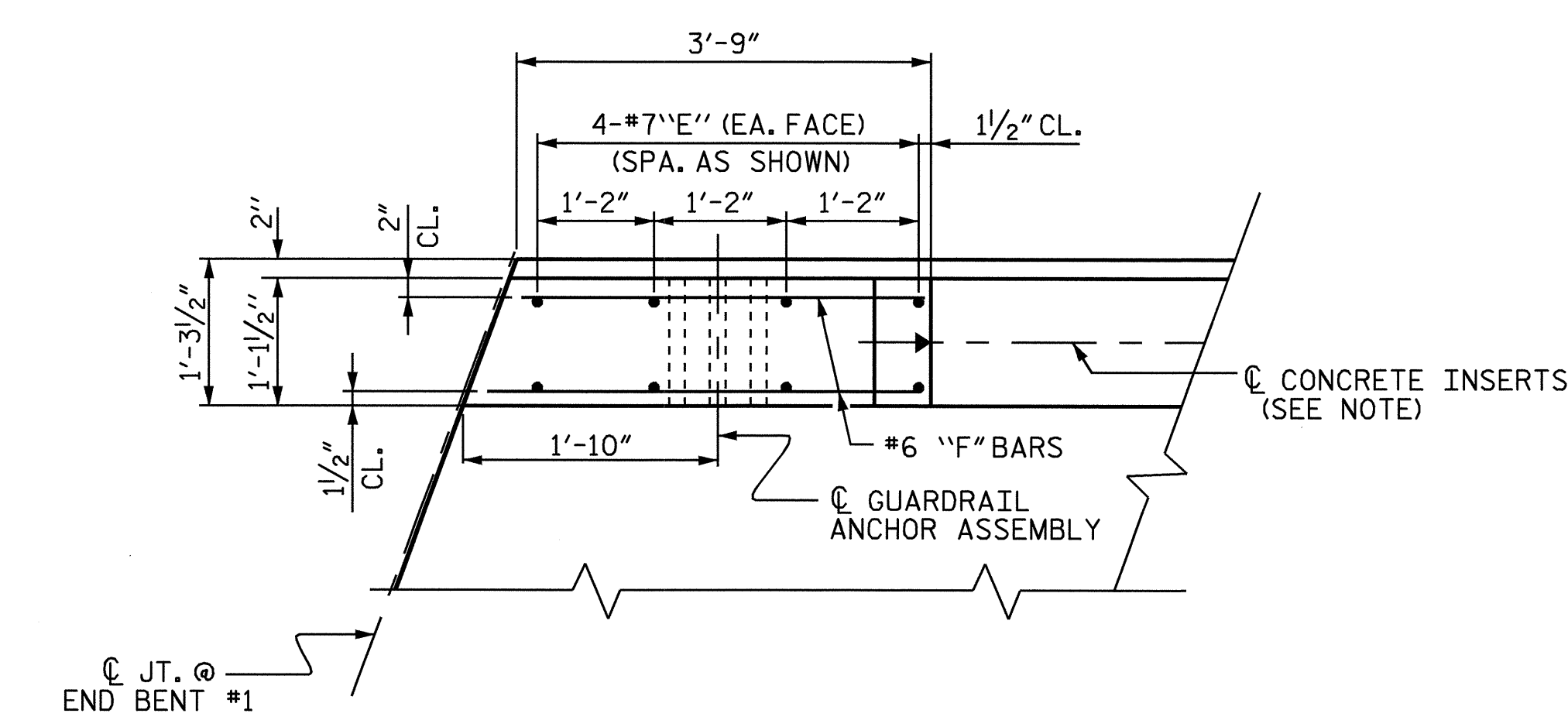


NOTE

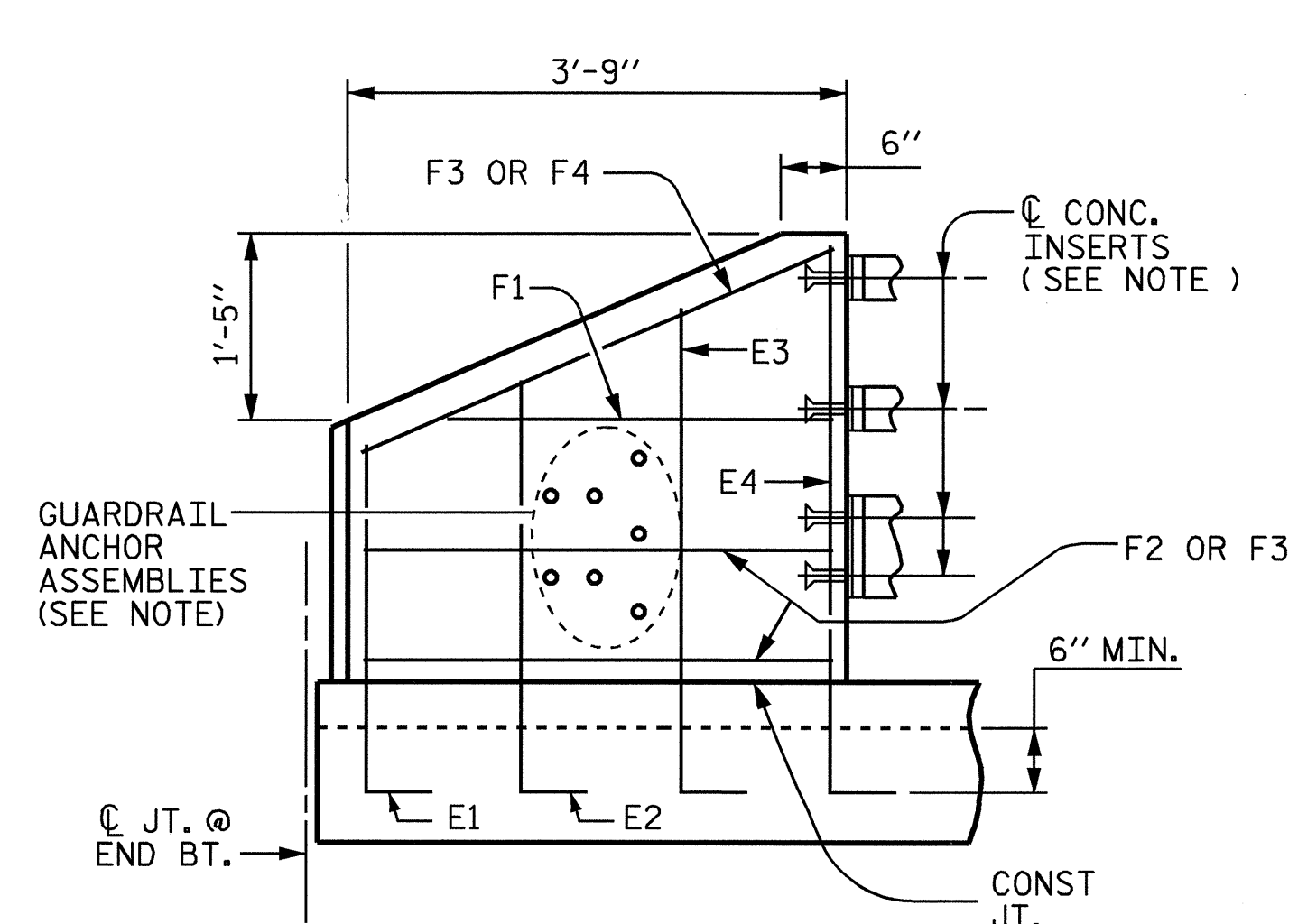
FOR DETAILS OF CONCRETE INSERTS,
AND GUARDRAILS ANCHOR ASSEMBLIES,
SEE "GUARDRAIL ANCHORAGE DETAILS
FOR METAL RAILS" & "3 BAR METAL
RAIL" SHEETS.



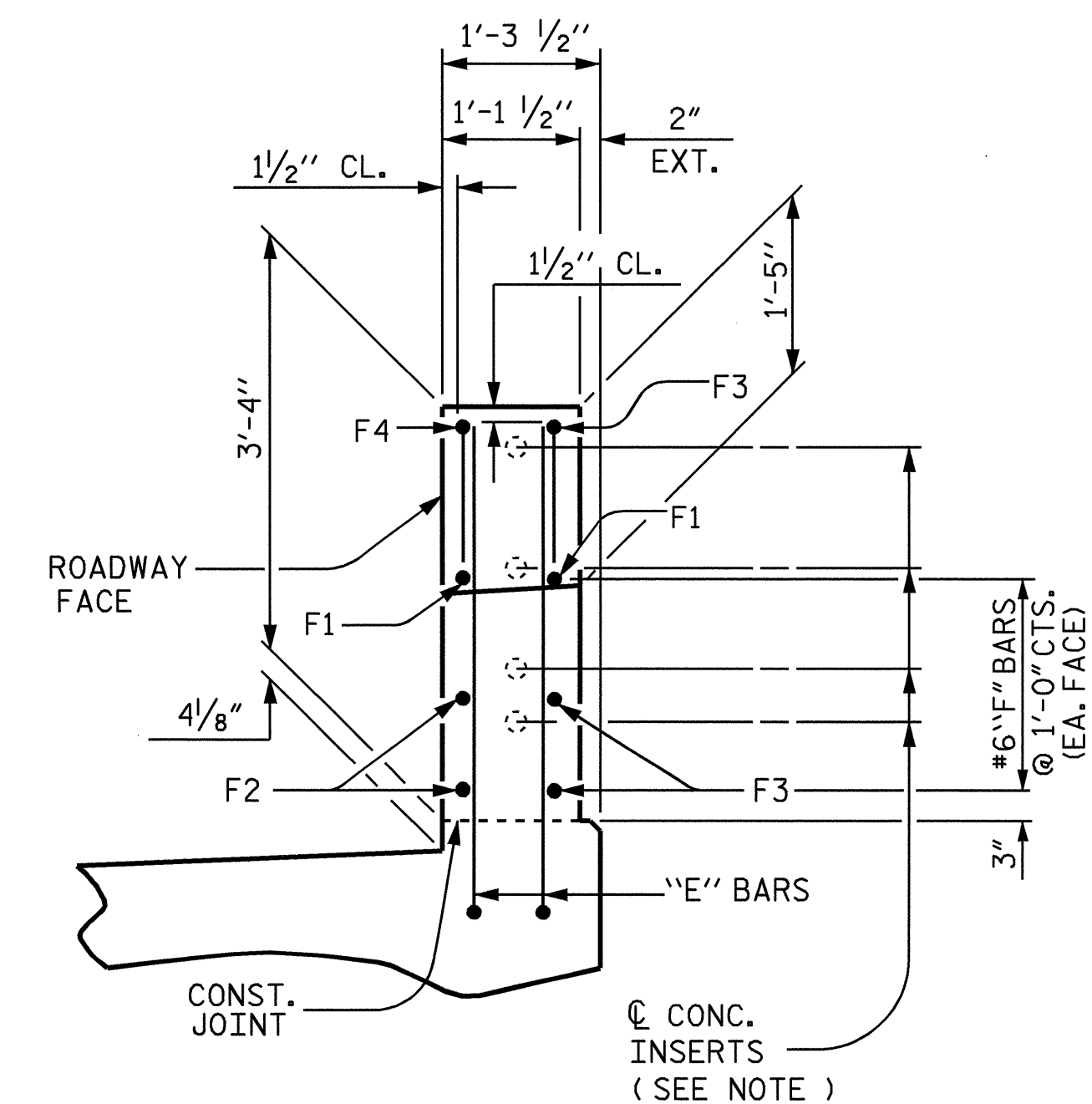
PLAN OF RAIL POST SPACING



PLAN OF END POST



ELEVATION

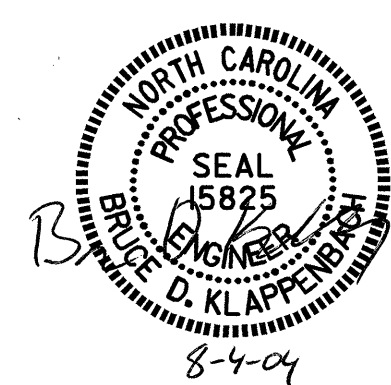


END VIEW

END POST DETAILS

PROJECT NO. U-0620
CUMBERLAND COUNTY
STATION: 161+95.29 -L-

STATE OF NORTH CAROLINA
DEPARTMENT OF TRANSPORTATION
RALEIGH
RAIL POST SPACING
AND
END POST DETAILS
(LEFT LANE)



DRAWN BY: M. G. SHAIKH DATE: 10-08-03
CHECKED BY: D. A. GLADDEN DATE: 12-23-03

REVISIONS						SHEET NO. S-66
NO.	BY:	DATE:	NO.	BY:	DATE:	
1			3			TOTAL SHEETS 129
2			4			