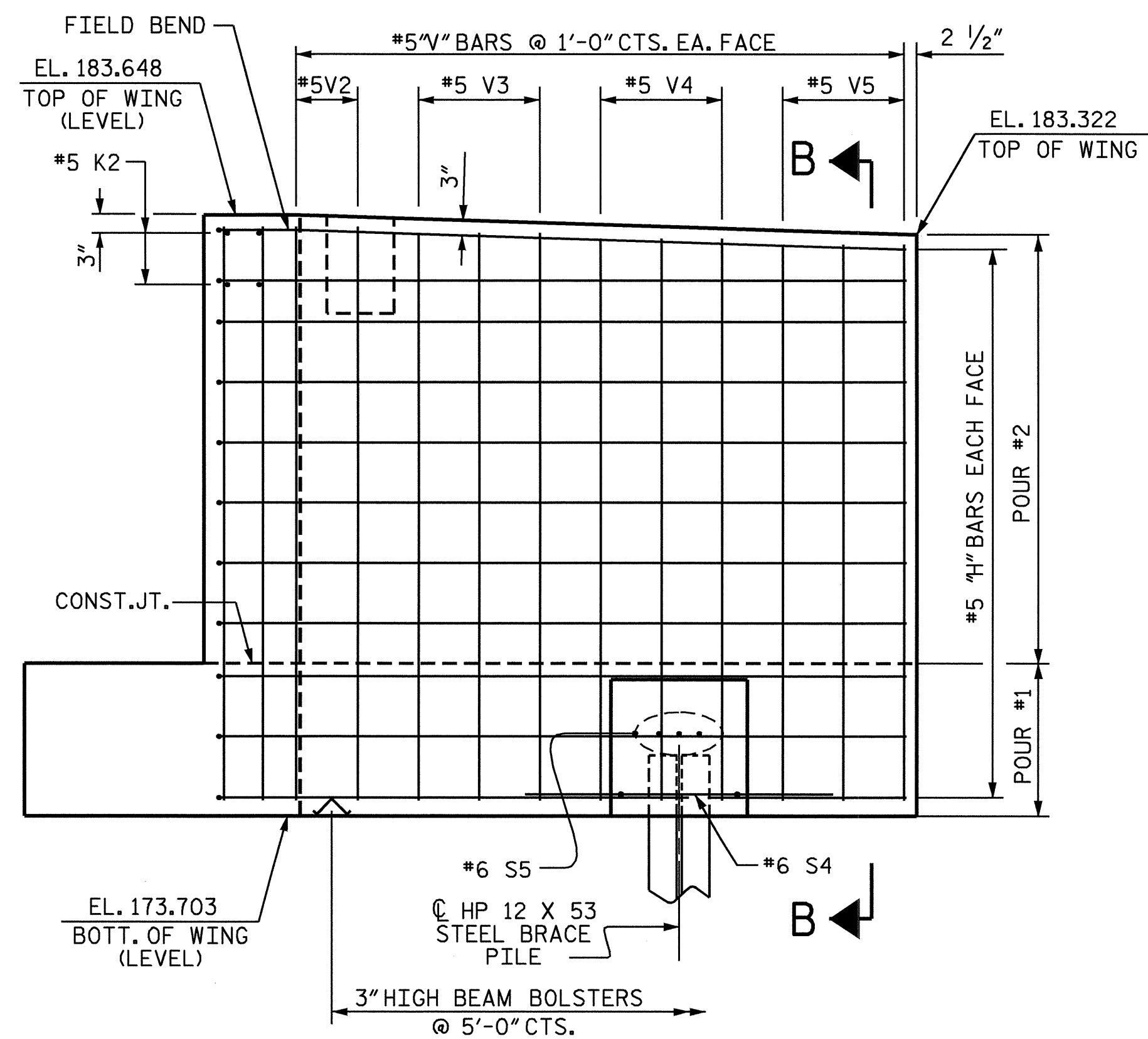
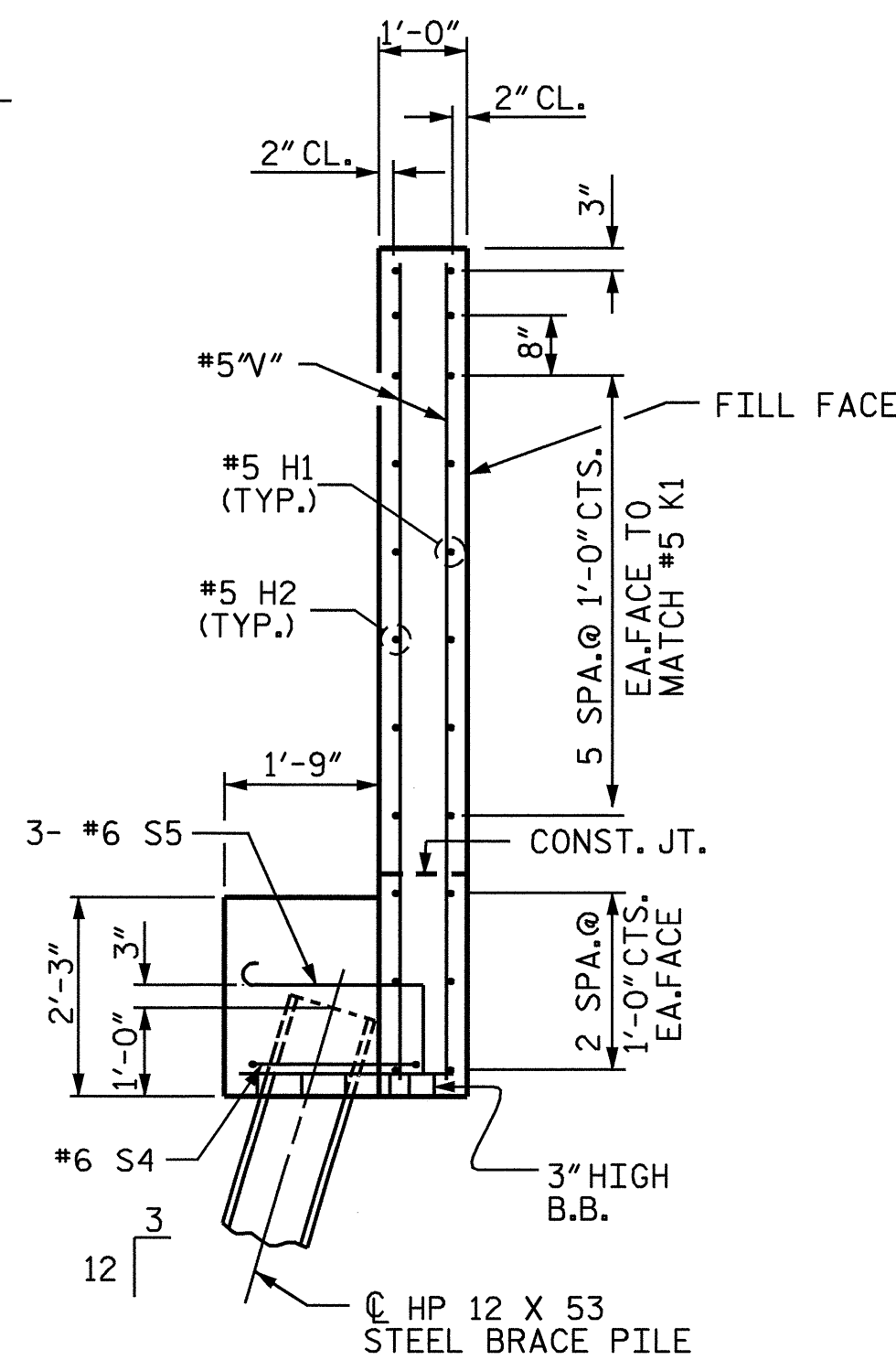


PLAN OF LEFT WING

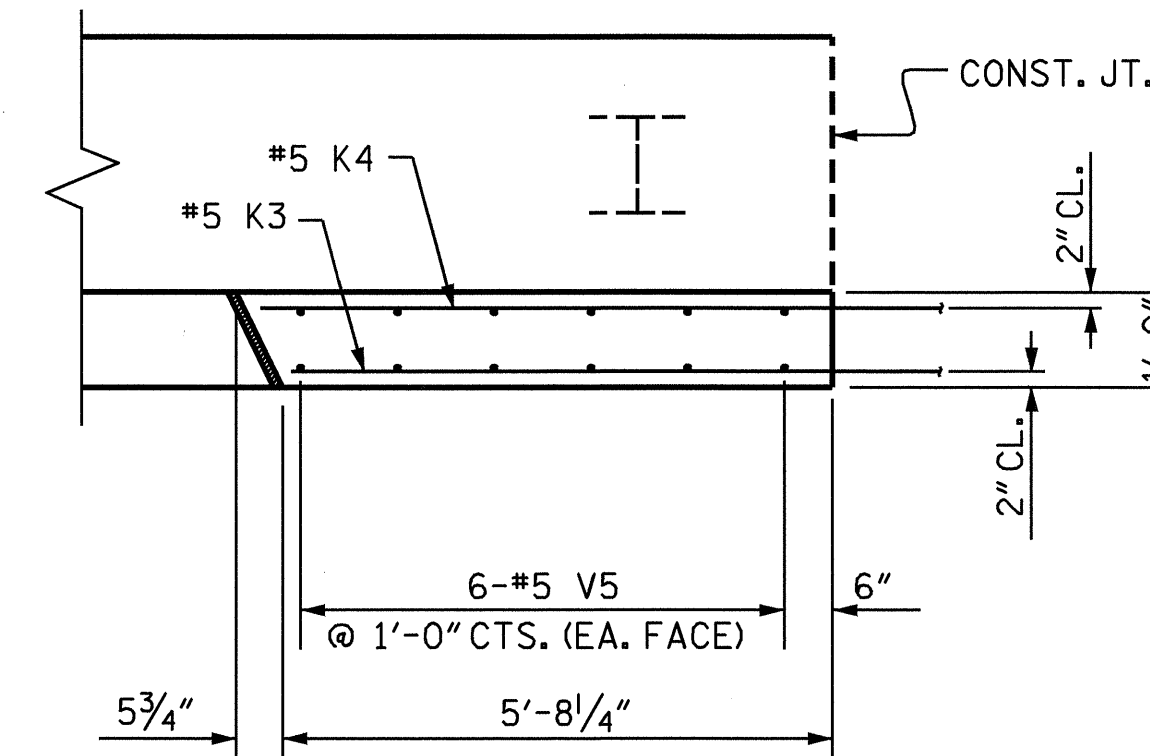


ELEVATION OF LEFT WING

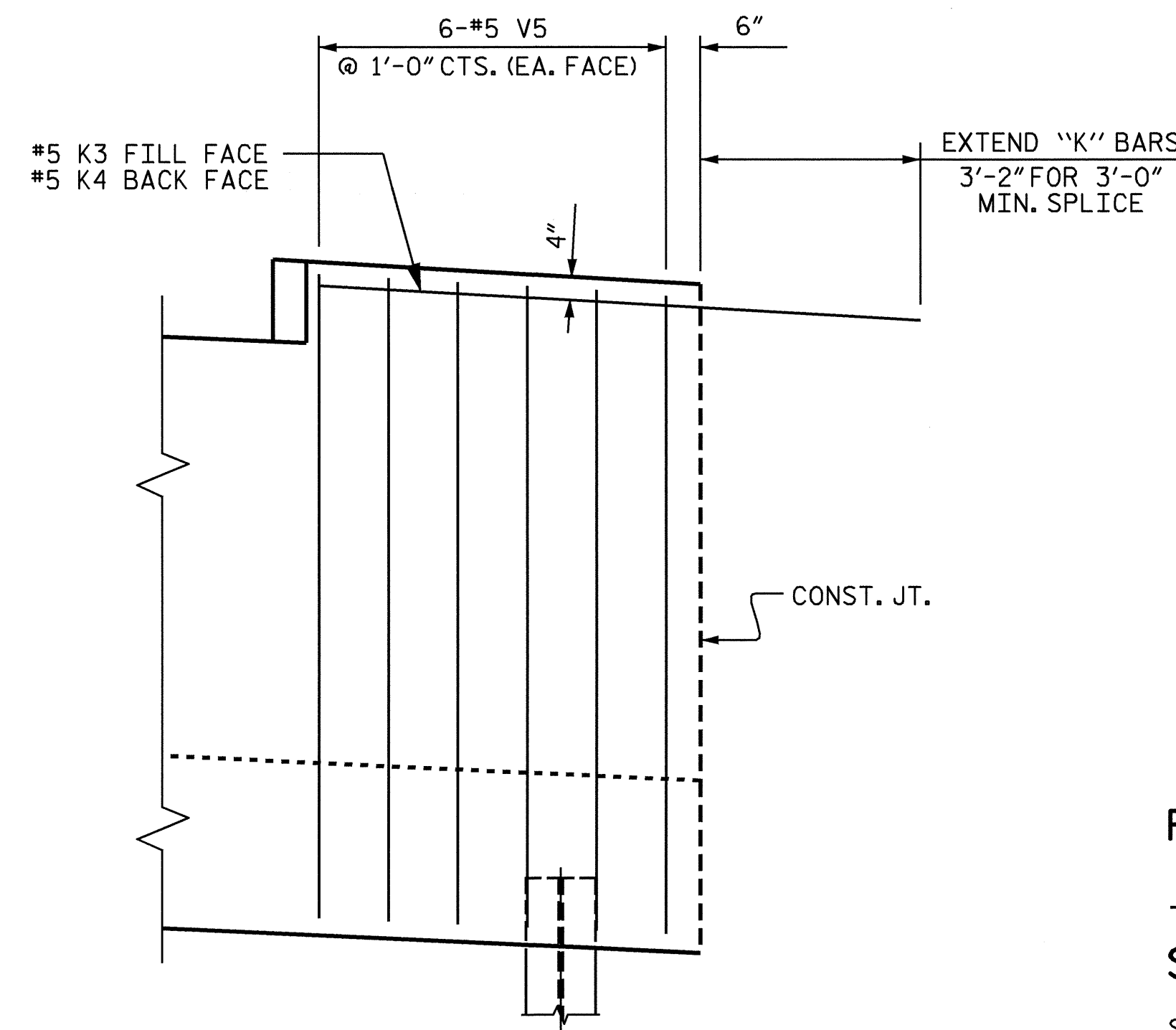
(TOP OF WING PILE ELEV. = 174.703)



SECTION B-B



PLAN OF RIGHT WING



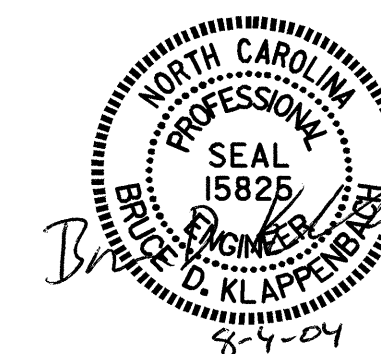
ELEVATION OF RIGHT WING

PROJECT NO. U-0620
CUMBERLAND COUNTY
 STATION: 161+95.29 -L-

SHEET 2 OF 3

STATE OF NORTH CAROLINA
 DEPARTMENT OF TRANSPORTATION
 RALEIGH

SUBSTRUCTURE
 END BENT 1
 (LEFT LANE)



REVISIONS						SHEET NO.
NO.	BY:	DATE:	NO.	BY:	DATE:	9-75
1			3			TOTAL SHEETS
2			4			129

STR #2

DRAWN BY: G.M.Patterson DATE: 11-12-03
 CHECKED BY: D.A. GLADDEN DATE: 01-29-04

27-JUL-2004 07:57
 W:\squad\U0620\Str2and3\mpatterson\Microstation\U0620.sd_el.02.dgn
 bklappenbach