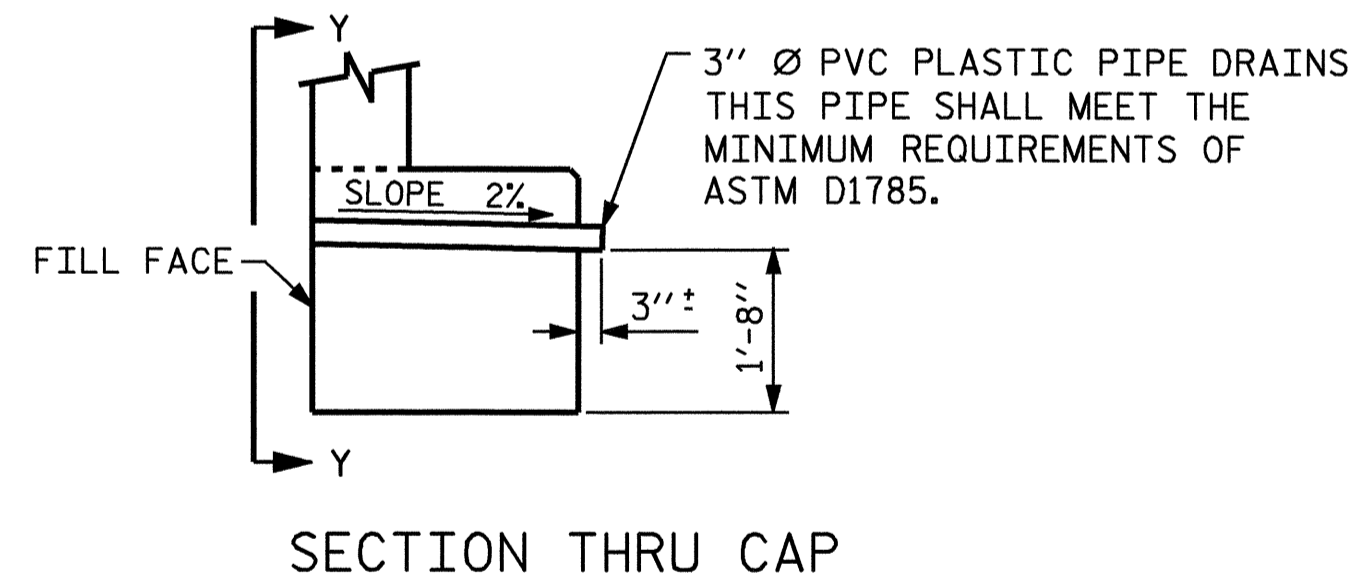
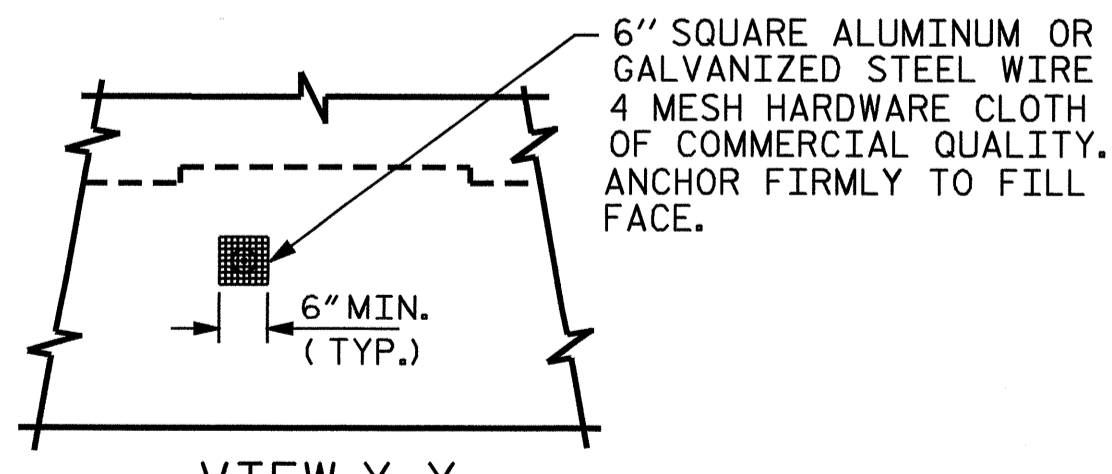


**SECTION A-A**



**SECTION THRU CAP**



**VIEW Y-Y**

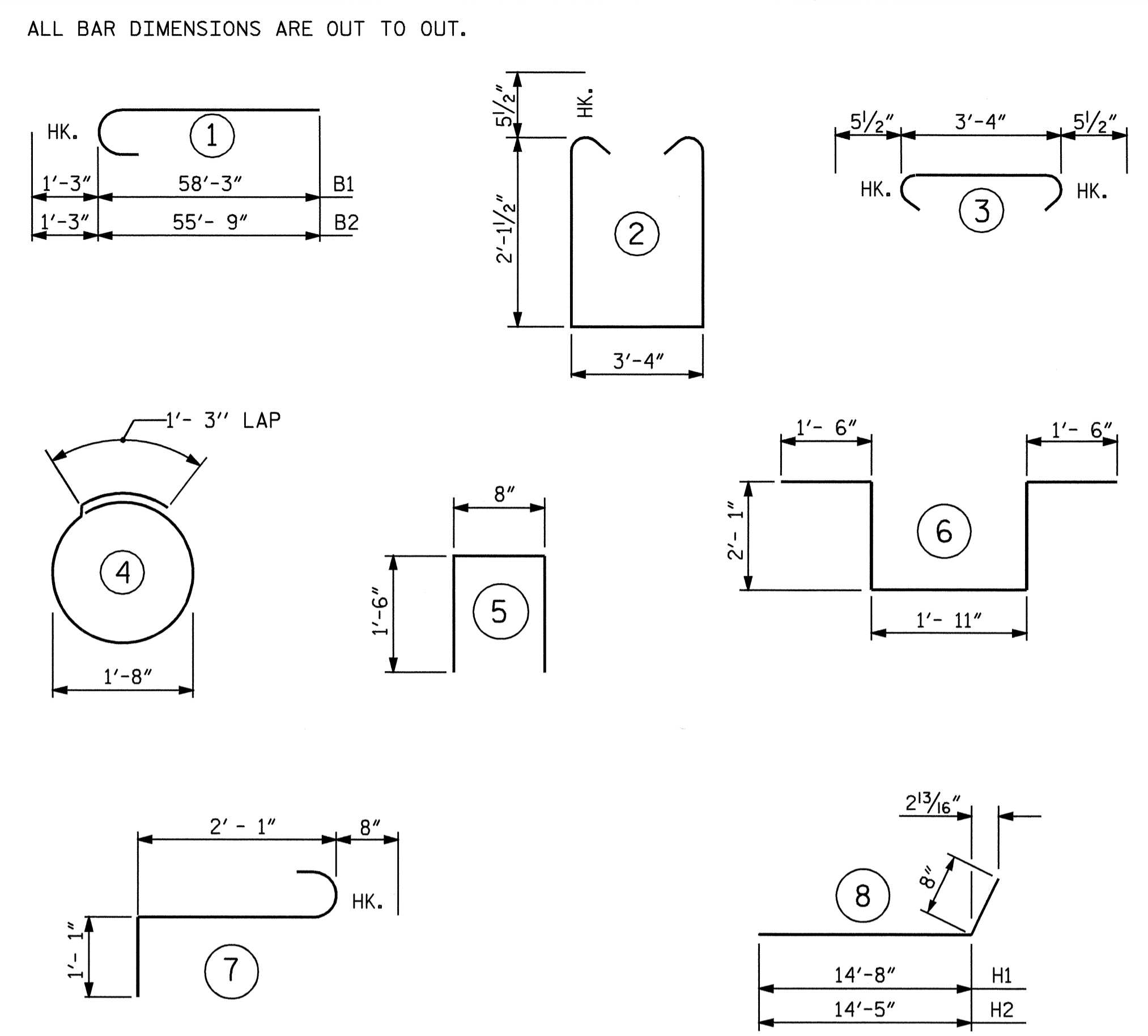
NOTE: NO SEPARATE PAYMENT WILL BE MADE FOR FURNISHING AND INSTALLING THE PVC PLASTIC PIPE DRAINS, HARDWARE CLOTH AND FASTENERS. THE ENTIRE COST OF THIS WORK SHALL BE INCLUDED IN THE UNIT CONTRACT PRICE BID FOR THE SEVERAL PAY ITEMS.

**PIPE DRAIN DETAILS**

DRAWN BY: G.M.Patterson DATE: 11/12/03  
 CHECKED BY: D.A. GLADDEN DATE: 01/29/04

15-MAR-2005 10:41  
 W:\squad\U0620\Str2and3\mshalkh\mcrorstatton\STR \*2\U-620\_sd.E\*.02.dgn  
 mshalkh

**BAR TYPES**

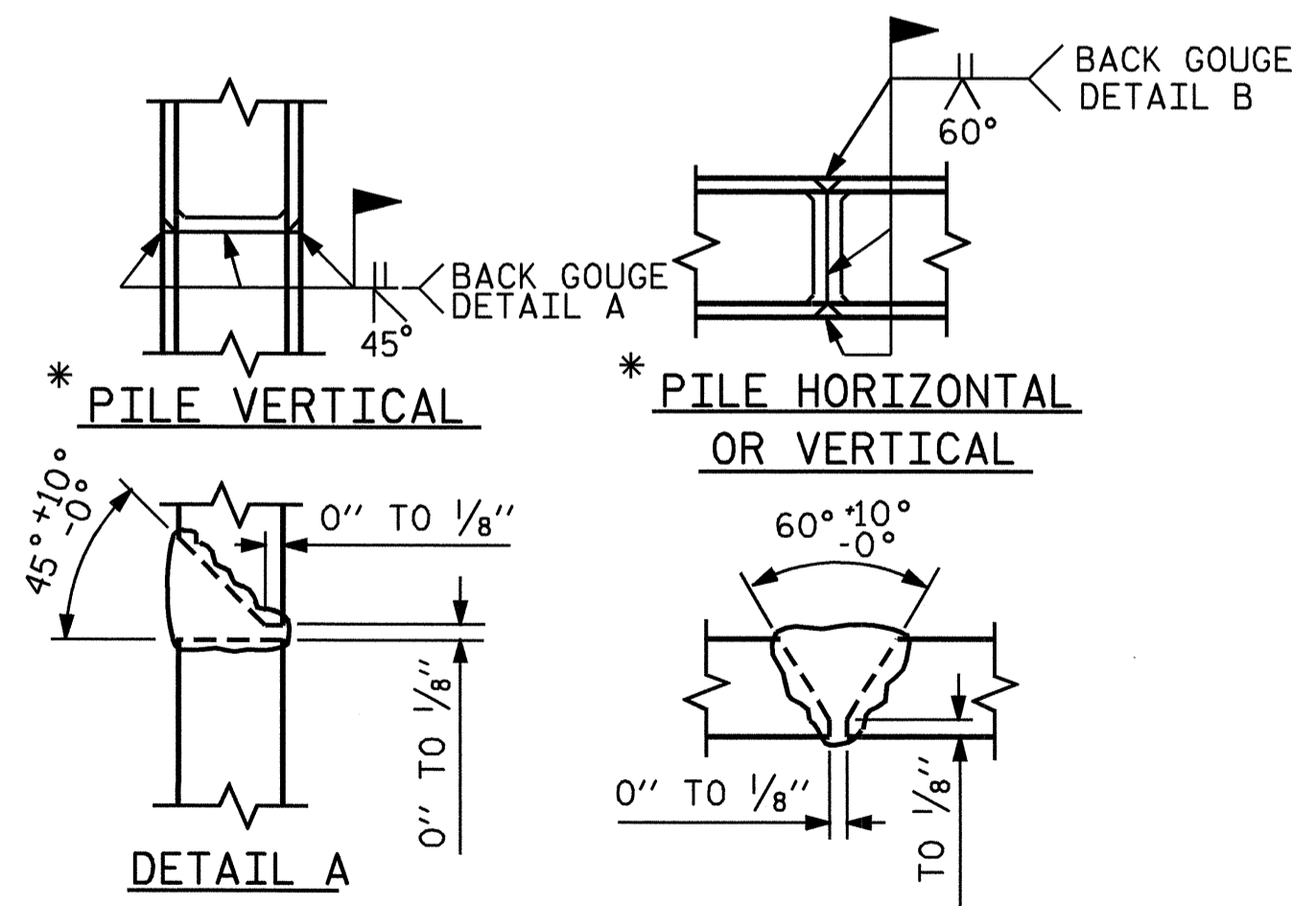


ALL BAR DIMENSIONS ARE OUT TO OUT.

NOTE: SEE MSE WALL PLANS (SHEET W-1 AND W-2) FOR BACKWALL SOIL REINFORCEMENT.

**BILL OF MATERIAL**

REINFORCING STEEL BAR SCHEDULE					
BAR NO.	NO.	SIZE	TYPE	LENGTH	WEIGHT
B1	5	9	1	59- 6	1012
B2	5	9	1	57- 0	969
B3	2	5	STR	52- 7	110
B4	8	4	STR	27- 2	145
B5	12	4	STR	3- 4	27
H1	11	5	8	15- 4	176
H2	11	5	8	15- 1	173
K1	12	5	STR	52- 7	658
K2	4	5	STR	4- 2	17
K3	1	5	STR	8- 5	9
K4	1	5	STR	8- 2	9
S1	60	5	2	8- 6	532
S2	60	5	3	4- 3	266
S3	16	4	4	6- 6	69
S4	1	6	6	9- 1	14
S5	3	6	7	3-10	17
U1	40	4	5	3- 8	98
V1	80	5	STR	8- 2	681
V2	16	5	STR	9- 7	160
V3	8	5	STR	9- 8	81
V4	8	5	STR	9-10	82
V5	8	5	STR	10- 0	83
V6	12	5	STR	9- 5	118
REINFORCING STEEL (LBS.)					5,506
CLASS A CONCRETE (CU.YDS.)					
POUR #1					= 18.8
POUR #2					= 15.4
TOTAL					= 34.2
HP12 X 53 STEEL PILES					
NO. 11 LIN.FT. 815					

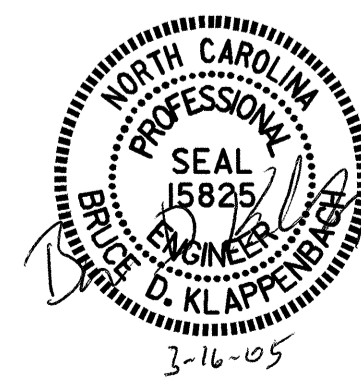


**PILE SPLICE DETAILS**

\* POSITION OF PILE DURING WELDING.

REV: CHANGE BRACE PILES TO VERTICAL PILES & ADD BACKWALL SOIL REINFORCEMENT.

DRAWN BY: M. G. S.  
 CHECKED BY: B. D. K.



PROJECT NO. U-0620  
CUMBERLAND COUNTY  
 STATION: 161+95.29 -L-  
 SHEET 3 OF 3

STATE OF NORTH CAROLINA DEPARTMENT OF TRANSPORTATION RALEIGH					
SUBSTRUCTURE END BENT 2 (LEFT LANE)					
REVISIONS					SHEET NO.
NO.	BY:	DATE:	NO.	BY:	DATE:
1	M. G. S.	3-21-05	3		
2			4		
					TOTAL SHEETS 129