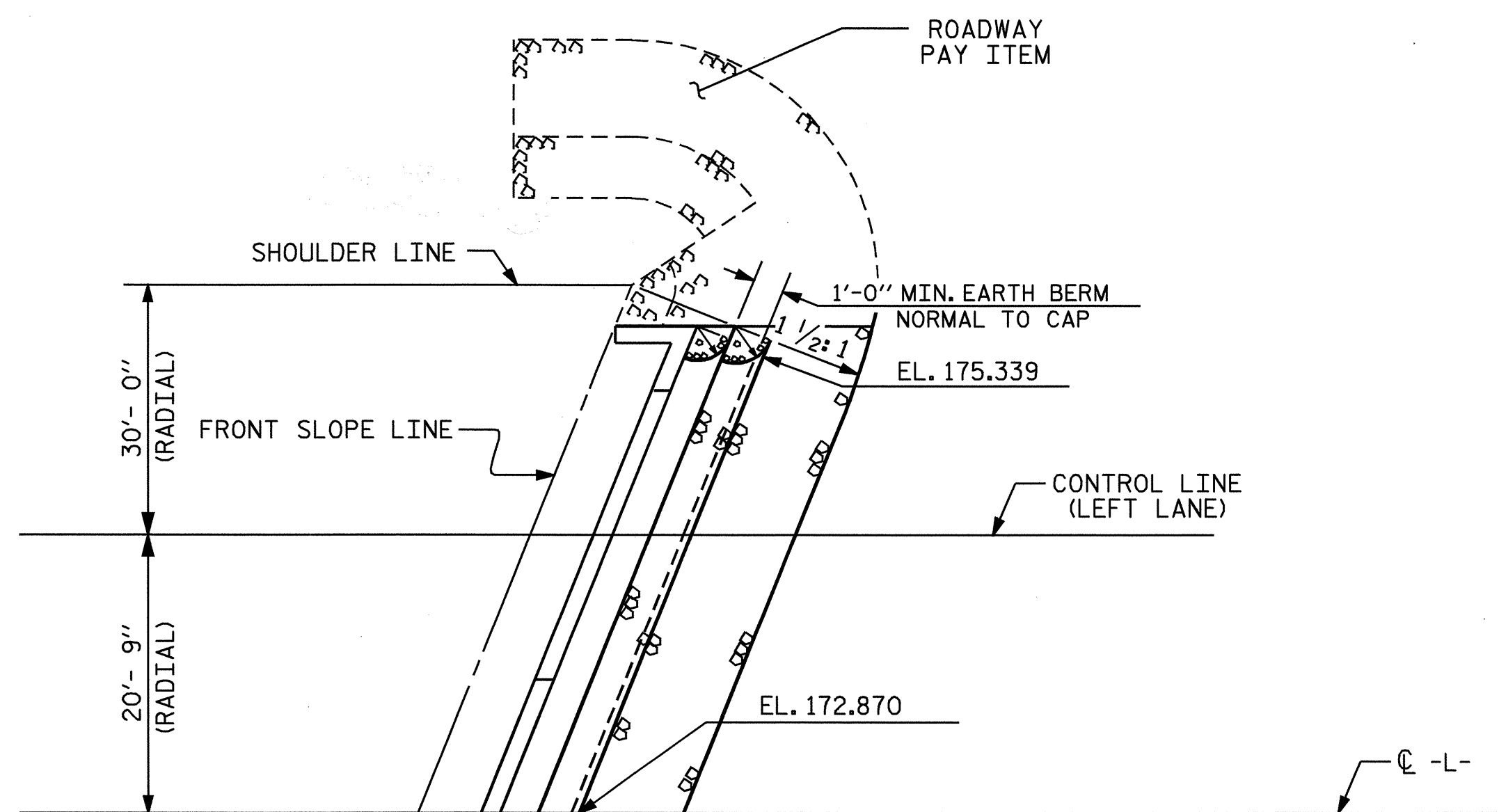
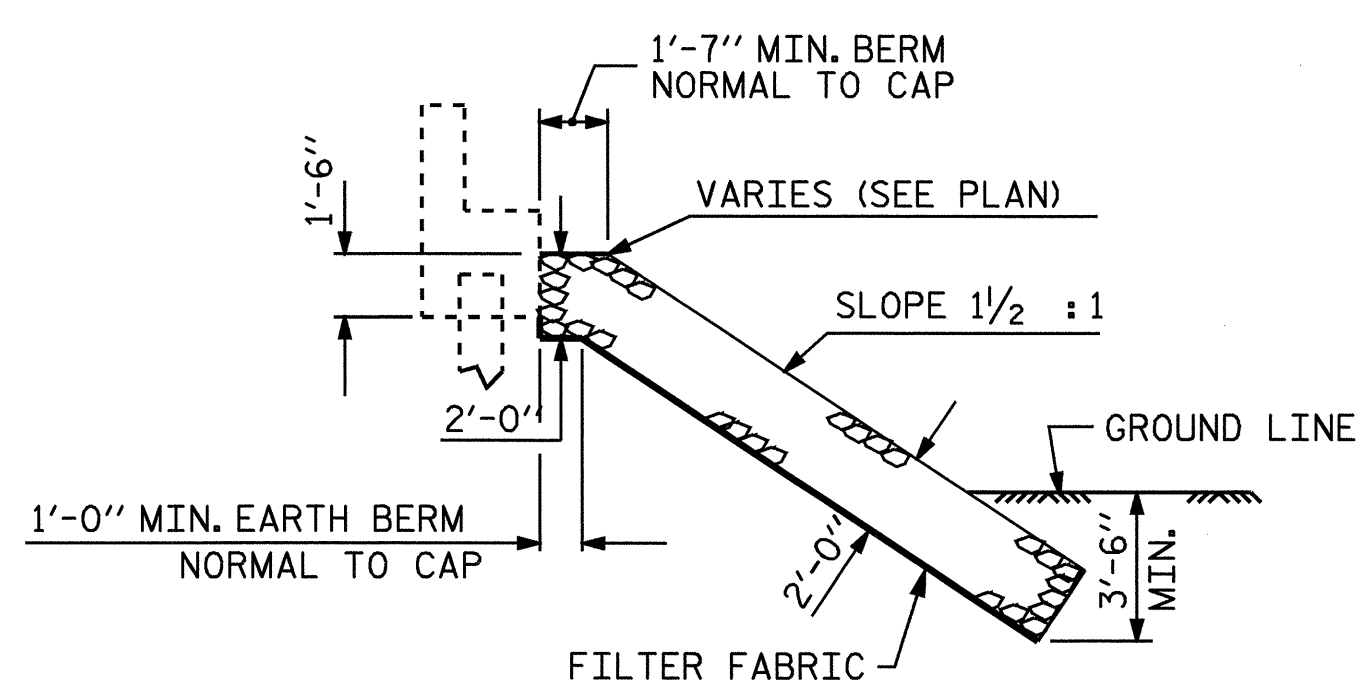


NOTES :  
FOR BERM WIDTH DIMENSIONS, SEE GENERAL DRAWING.



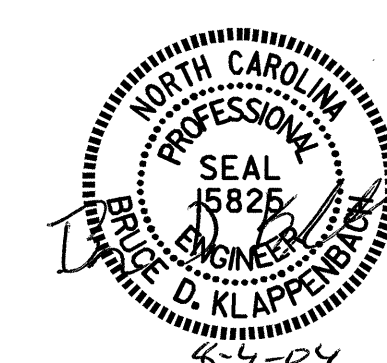
END BENT #1 BERM RIP RAPPED

ESTIMATED QUANTITIES		
BRIDGE @ STA. 161+95.29 -L-	PLAIN RIP RAP CLASS II	FILTER FABRIC FOR DRAINAGE
	TONS	SQUARE YARDS
END BENT 1	200	222



C SECTION  
BERM RIP RAPPED

PROJECT NO. U-0620  
CUMBERLAND COUNTY  
STATION: 161+95.29 -L-



STATE OF NORTH CAROLINA DEPARTMENT OF TRANSPORTATION RALEIGH					
STANDARD RIP RAP DETAILS (LEFT LANE)					
REVISIONS					SHEET NO.
NO.	BY:	DATE:	NO.	BY:	DATE:
1			3		
2			4		
					6-82
					TOTAL SHEETS 129

ASSEMBLED BY : D. A. GLADDEN	DATE : 7-21-04
CHECKED BY : G. M. PATTERSON	DATE : 7-29-04
DRAWN BY : REK 1/84	REV. 7/17/98 REK/RWW
CHECKED BY : RDU 1/84	REV. 8/16/99 RWW/LES
	REV. 10/17/00 RWW/LES