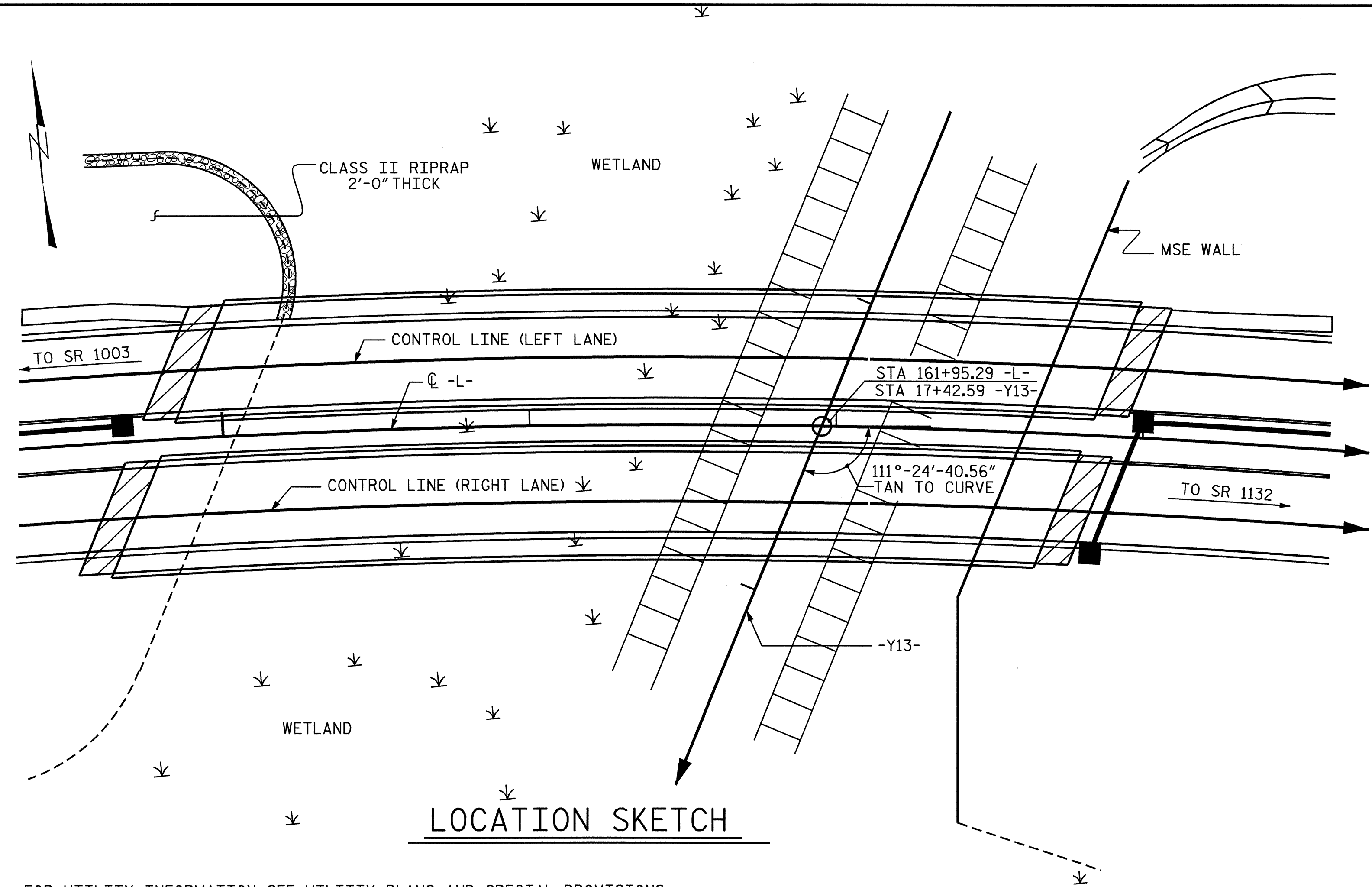


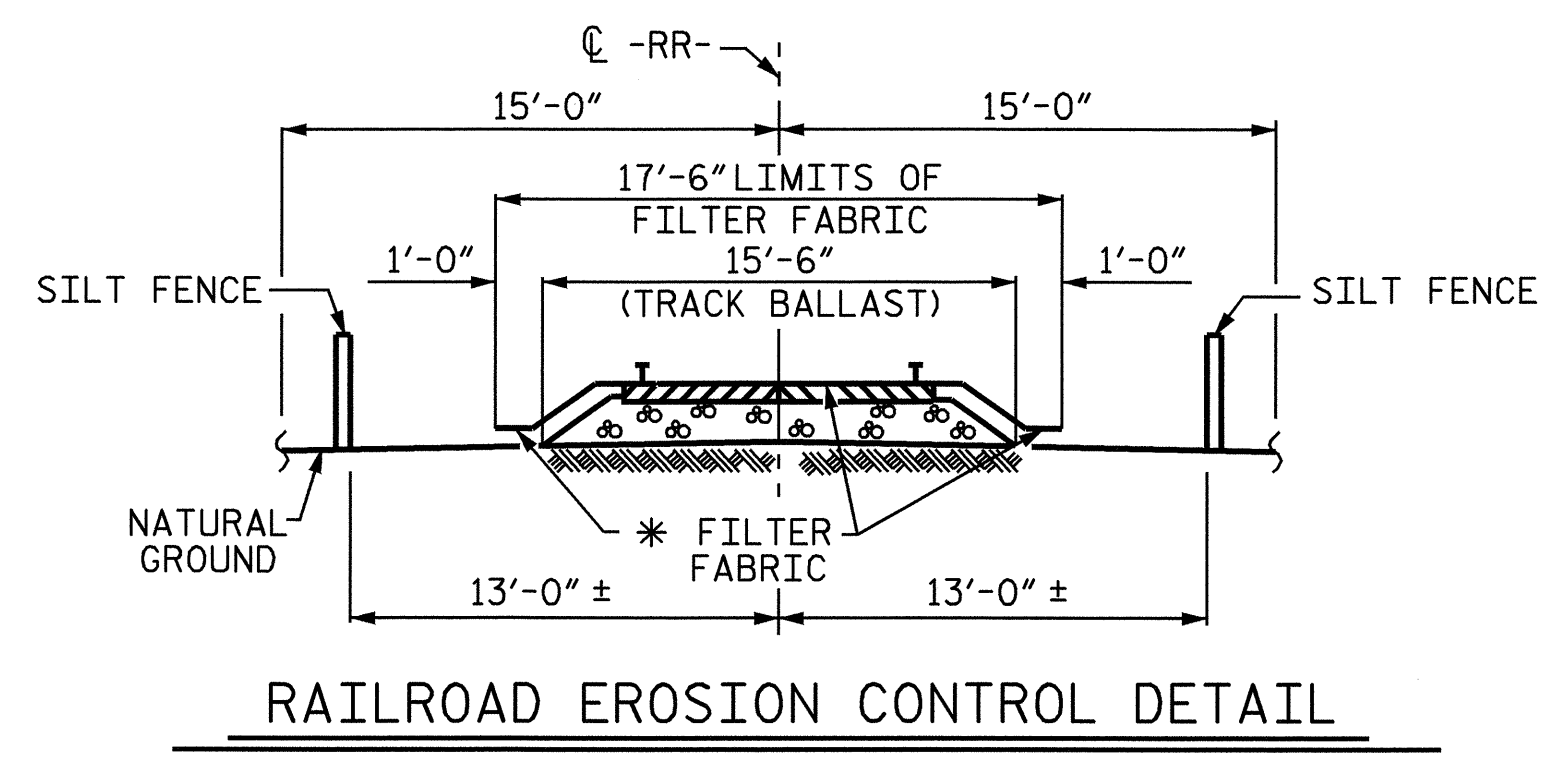
B. M. #105 EL = 189.05 R/R SPIKE IN BASE OF 8" PINE 1.00' RIGHT OF
-BL-STA. 170+83, 160.66' RIGHT OF -L- STA. 169+37.17



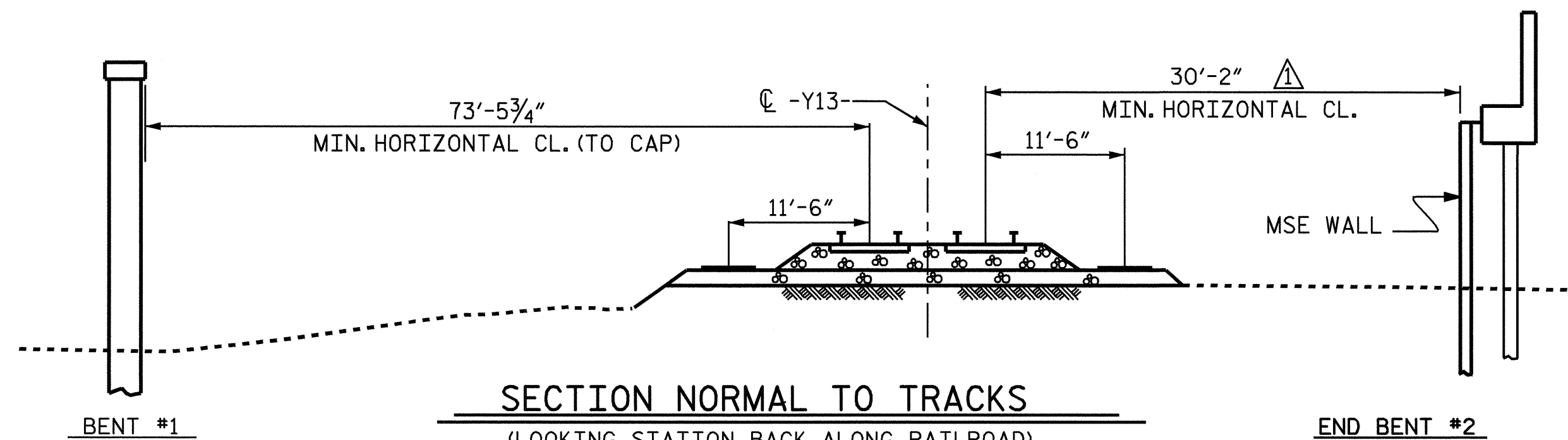
LOCATION SKETCH

FOR UTILITY INFORMATION, SEE UTILITY PLANS AND SPECIAL PROVISIONS.

TOP OF RAIL ELEVATIONS	
STATION	ELEVATION
15+00.00 -Y13-	157.97
15+50.00 -Y13-	157.64
16+00.00 -Y13-	157.31
16+50.00 -Y13-	156.97
17+00.00 -Y13-	156.64
17+50.00 -Y13-	156.28
18+00.00 -Y13-	155.93
18+50.00 -Y13-	155.58
19+00.00 -Y13-	155.19
19+50.00 -Y13-	154.85
20+00.00 -Y13-	154.49
20+50.00 -Y13-	154.14
21+00.00 -Y13-	153.77



RAILROAD EROSION CONTROL DETAIL



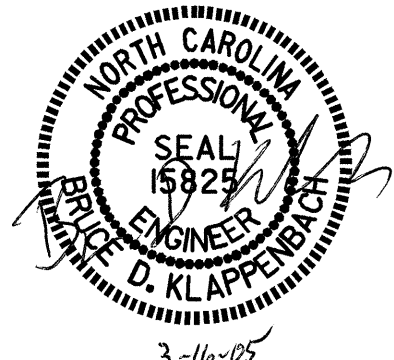
SECTION NORMAL TO TRACKS

(LOOKING STATION BACK ALONG RAILROAD)
SECTION TAKEN AT RIGHT ANGLES TO BENTS

PROJECT NO. U-0620
CUMBERLAND COUNTY
STATION: 161+95.29 -L-

SHEET 4 OF 5

STATE OF NORTH CAROLINA
DEPARTMENT OF TRANSPORTATION
RALEIGH
GENERAL DRAWING FOR
BRIDGE OVER CSX RR
ON HOPE MILLS
BYPASS BETWEEN
SR 1003 AND SR 1132
(RIGHT LANE)



REVISION : REVISED MINIMUM HORIZONTAL CLEARANCE. CORRECTED LOCATION SKETCH.

BY : JBW CHECKED BY : BDK

DRAWN BY : M. G. SHAIKH DATE : 10-23-02
CHECKED BY : A. K. PASCHAL DATE : 12-12-02

REVISIONS						SHEET NO.	
NO.	BY:	DATE:	NO.	BY:	DATE:	SHEETS	
1	JBW	3/14/05	3			5	92
2			4			12	9