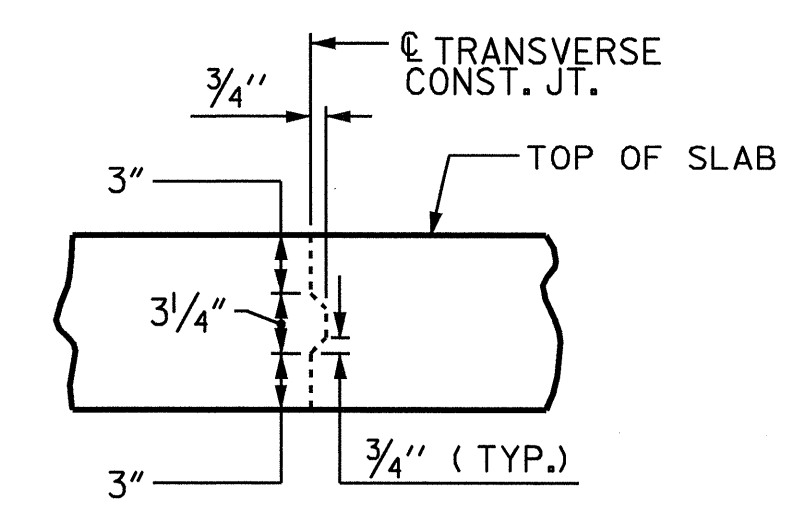


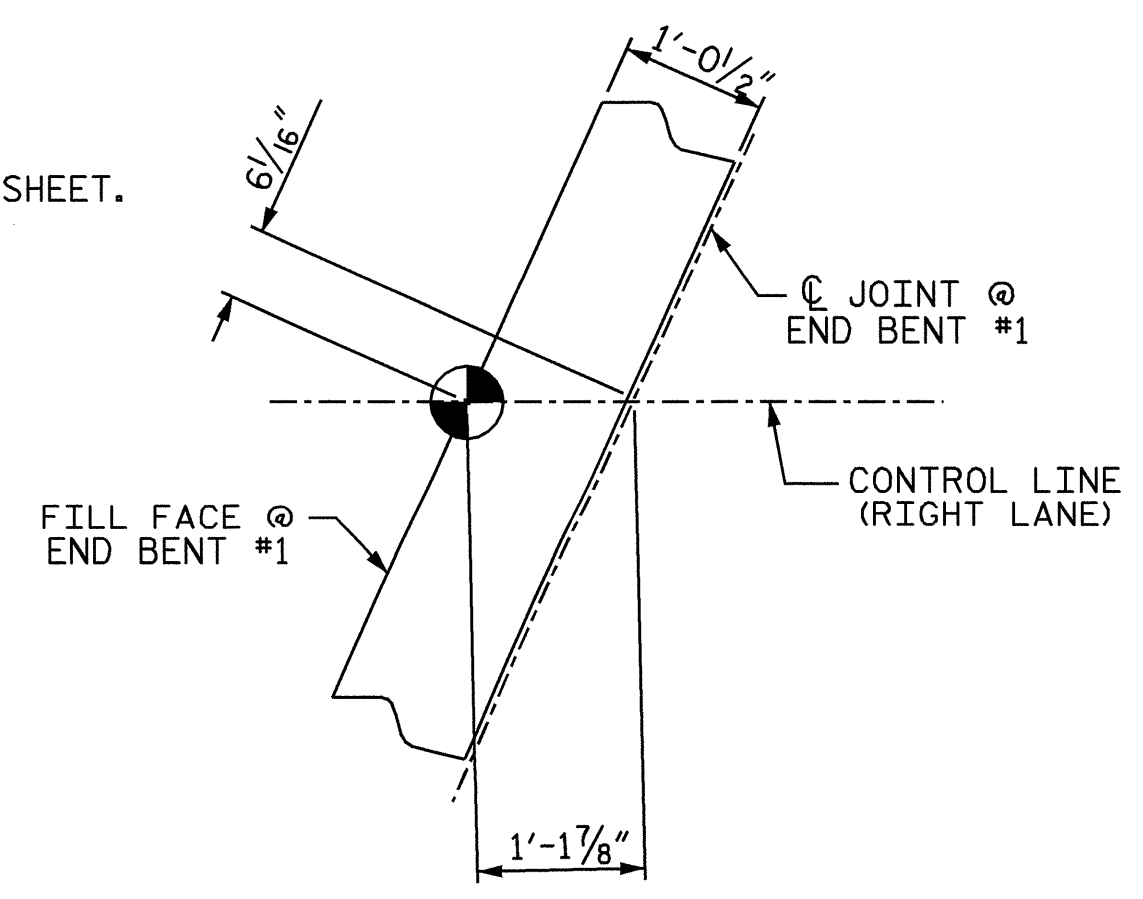
PLAN OF SPAN "A"

FOR POURING SEQUENCE, SEE "SUPERSTRUCTURE BILL OF MATERIAL" SHEET.



TRANSVERSE CONSTRUCTION JOINT DETAIL

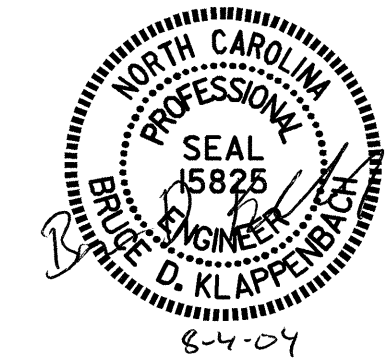
NOTE: REINFORCING STEEL IN SLAB NOT SHOWN. LONGITUDINAL REINFORCING STEEL SHALL BE CONTINUOUS THRU JOINT



DETAIL "C"

PROJECT NO. U-0620  
 CUMBERLAND COUNTY  
 STATION: 161+95.29 -L-

STATE OF NORTH CAROLINA  
 DEPARTMENT OF TRANSPORTATION  
 RALEIGH  
 SUPERSTRUCTURE  
 PLAN OF SPAN "A"  
 (RIGHT LANE)



REVISIONS						SHEET NO.	
NO.	BY:	DATE:	NO.	BY:	DATE:	5-96	
1			3			TOTAL SHEETS	
2			4			129	

DRAWN BY : M. G. SHAIKH DATE : 11-14-03  
 CHECKED BY : D. A. GLADDEN DATE : 12-30-03