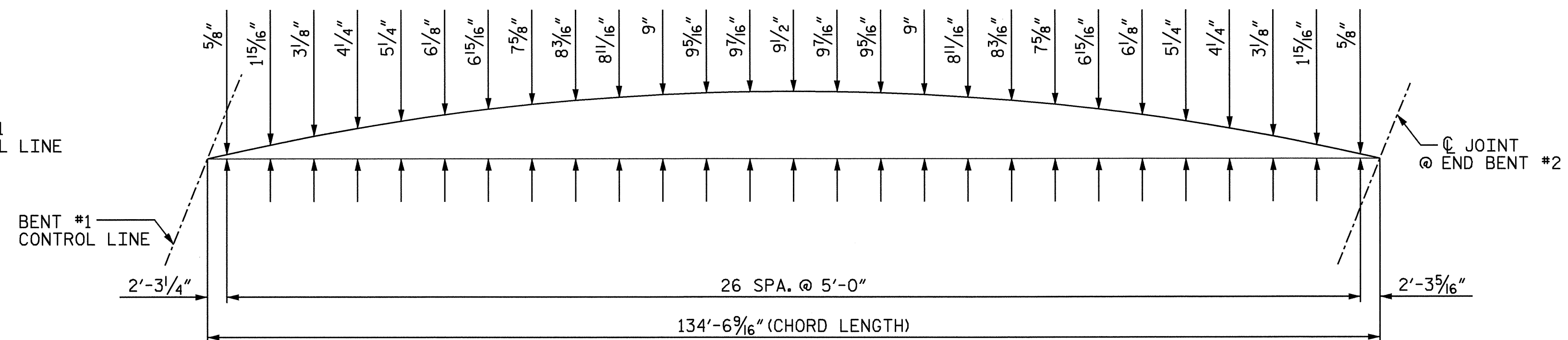
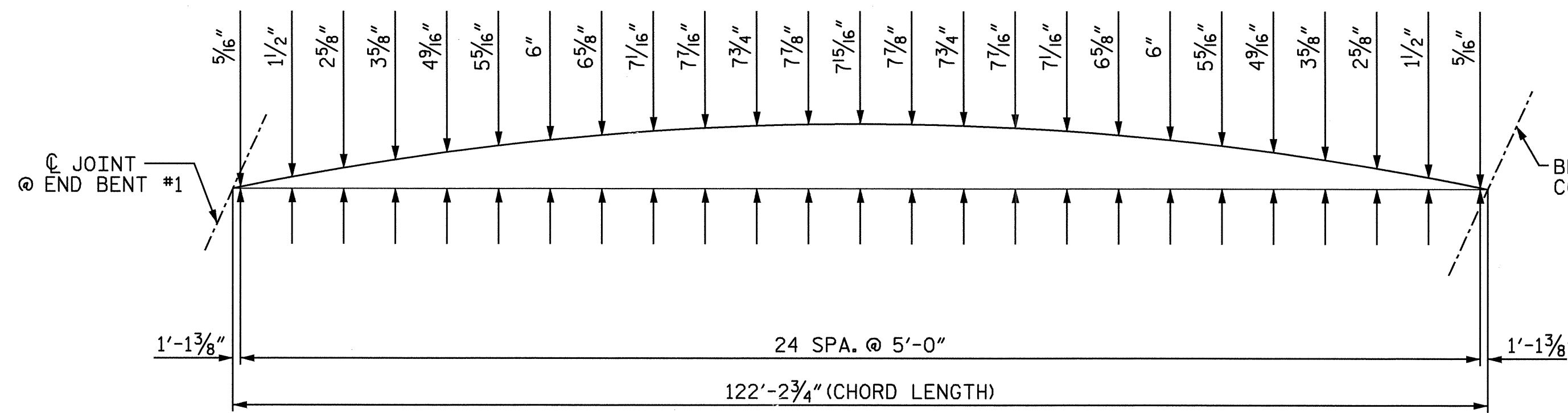


LEFT SIDE

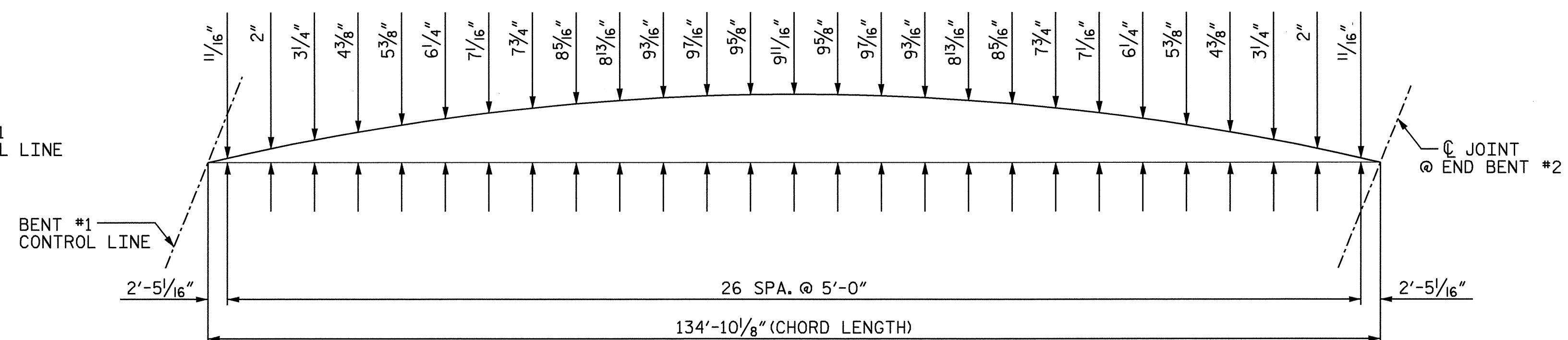


LEFT SIDE



RIGHT SIDE

ARC OFFSETS-SPAN "A"

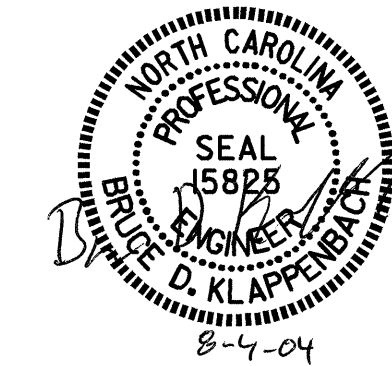


RIGHT SIDE

ARC OFFSETS-SPAN "B"

PROJECT NO. U-0620
CUMBERLAND COUNTY
 STATION: 161+95.29 -L-

STATE OF NORTH CAROLINA
 DEPARTMENT OF TRANSPORTATION
 RALEIGH
 SUPERSTRUCTURE
 ARC OFFSETS
 (RIGHT LANE)



REVISIONS						SHEET NO. 5-98
NO.	BY:	DATE:	NO.	BY:	DATE:	
1			3			TOTAL SHEETS 129
2			4			

DRAWN BY: M. G. SHAIKH DATE: 11-20-03
 CHECKED BY: D. A. GLADDEN DATE: 12-30-03