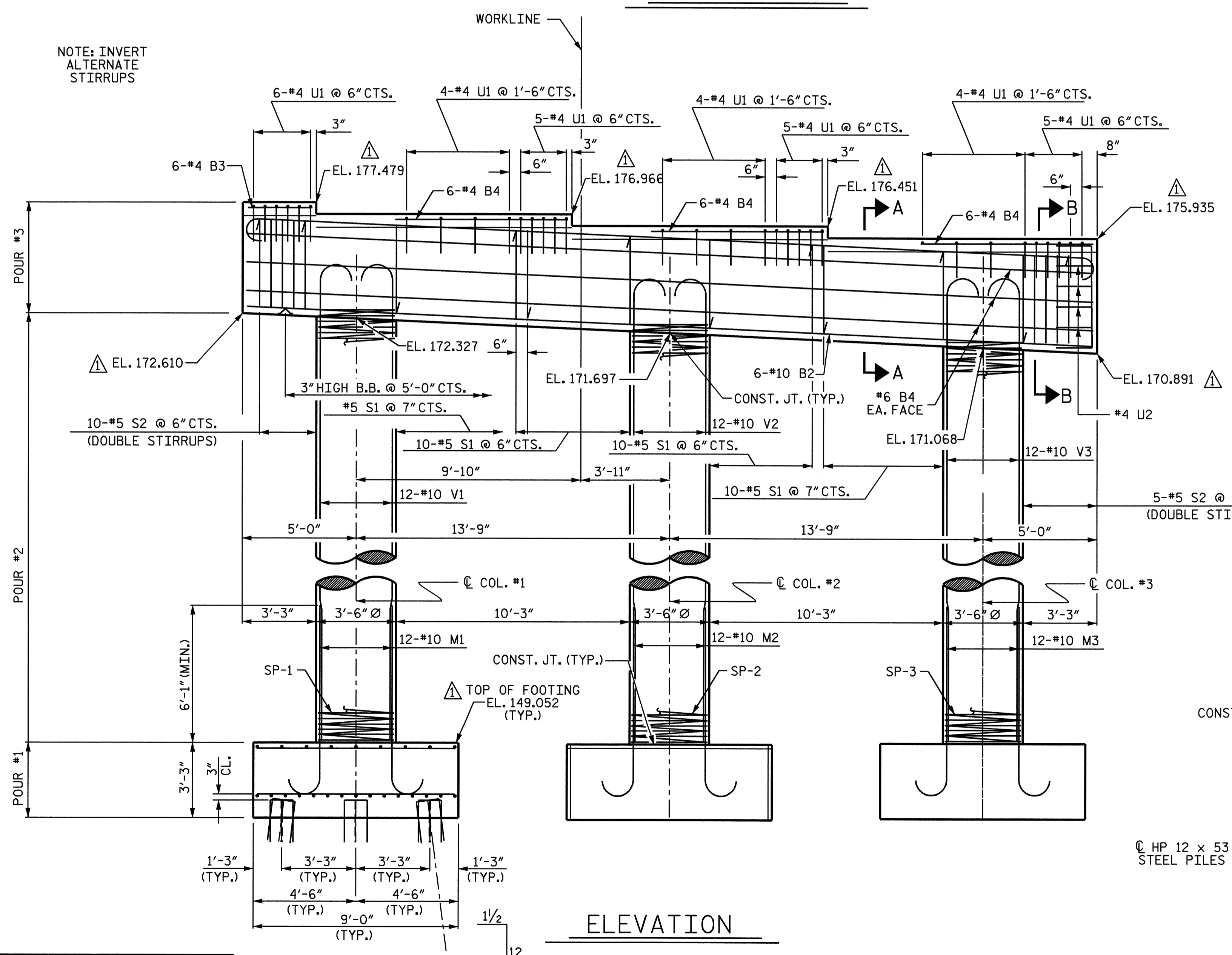


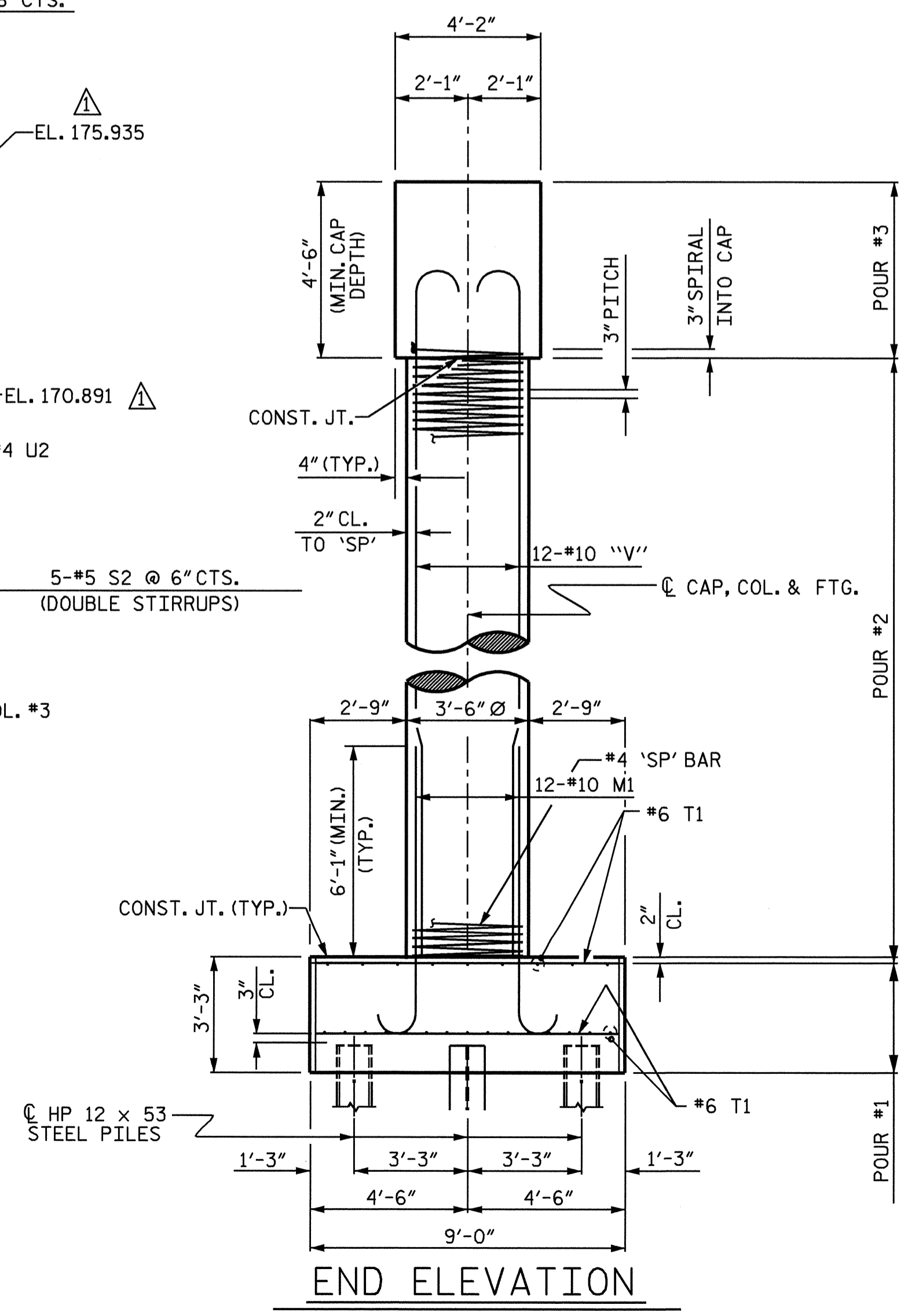
PLAN OF CAP

NOTES

STIRRUPS IN CAP MAY BE SHIFTED AS NECESSARY TO CLEAR ANCHOR BOLTS.
 HOOKS ON "V" BARS MAY BE TURNED AS NECESSARY FOR PLACING REINFORCING STEEL.
 ALL STEEL IN THE DRILLED PIERS IS INCLUDED IN THE PAY ITEMS FOR "REINFORCING STEEL" AND "SPIRAL COLUMN REINFORCING STEEL."
 "U" BARS IN THE END OF CAP MAY BE SHIFTED SLIGHTLY TO CLEAR "B" BARS.



ELEVATION



END ELEVATION

REVISION Δ : REVISED ELEVATIONS
 JBW 12/03/04
 CHECKED BY BDK 12/03/04

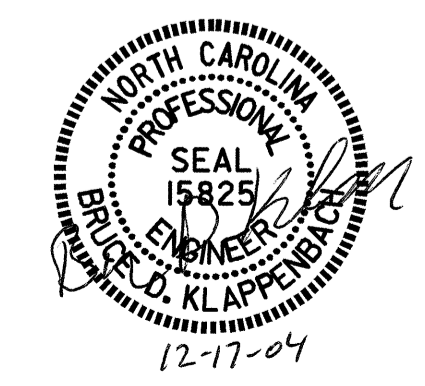
PROJECT NO. U-0620
CUMBERLAND COUNTY
 STATION: 161+95.29 -L-

SHEET 1 OF 2

STATE OF NORTH CAROLINA
 DEPARTMENT OF TRANSPORTATION
 RALEIGH

SUBSTRUCTURE BENT #1 (RIGHT LANE)

REVISIONS						SHEET NO.
NO.	BY:	DATE:	NO.	BY:	DATE:	TOTAL SHEETS
1	JBW	12/03/04	3			5-116
2			4			129



DRAWN BY: J.B. WILSON DATE: 11/03
 CHECKED BY: D.A. GLADDEN DATE: 11/03