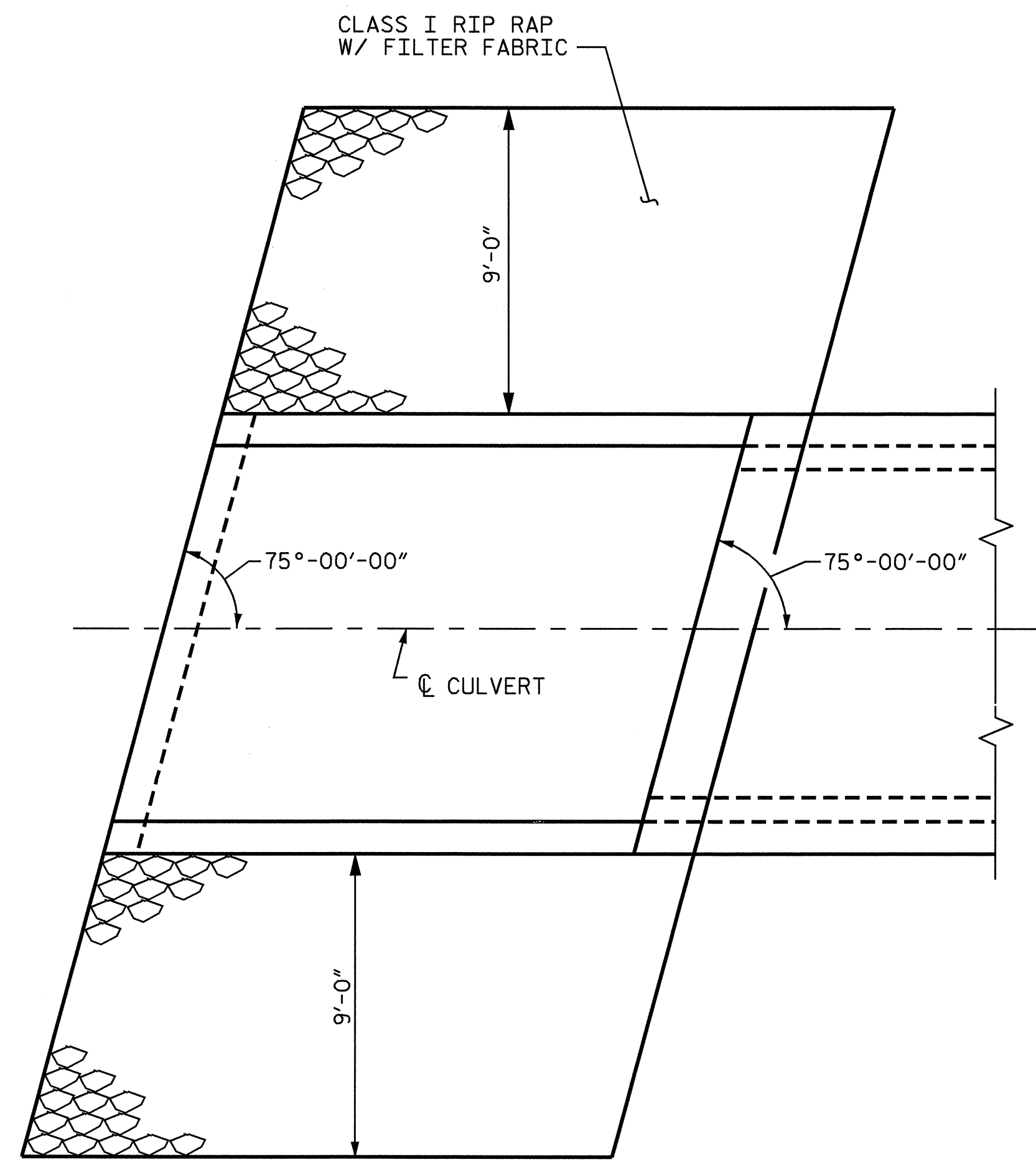
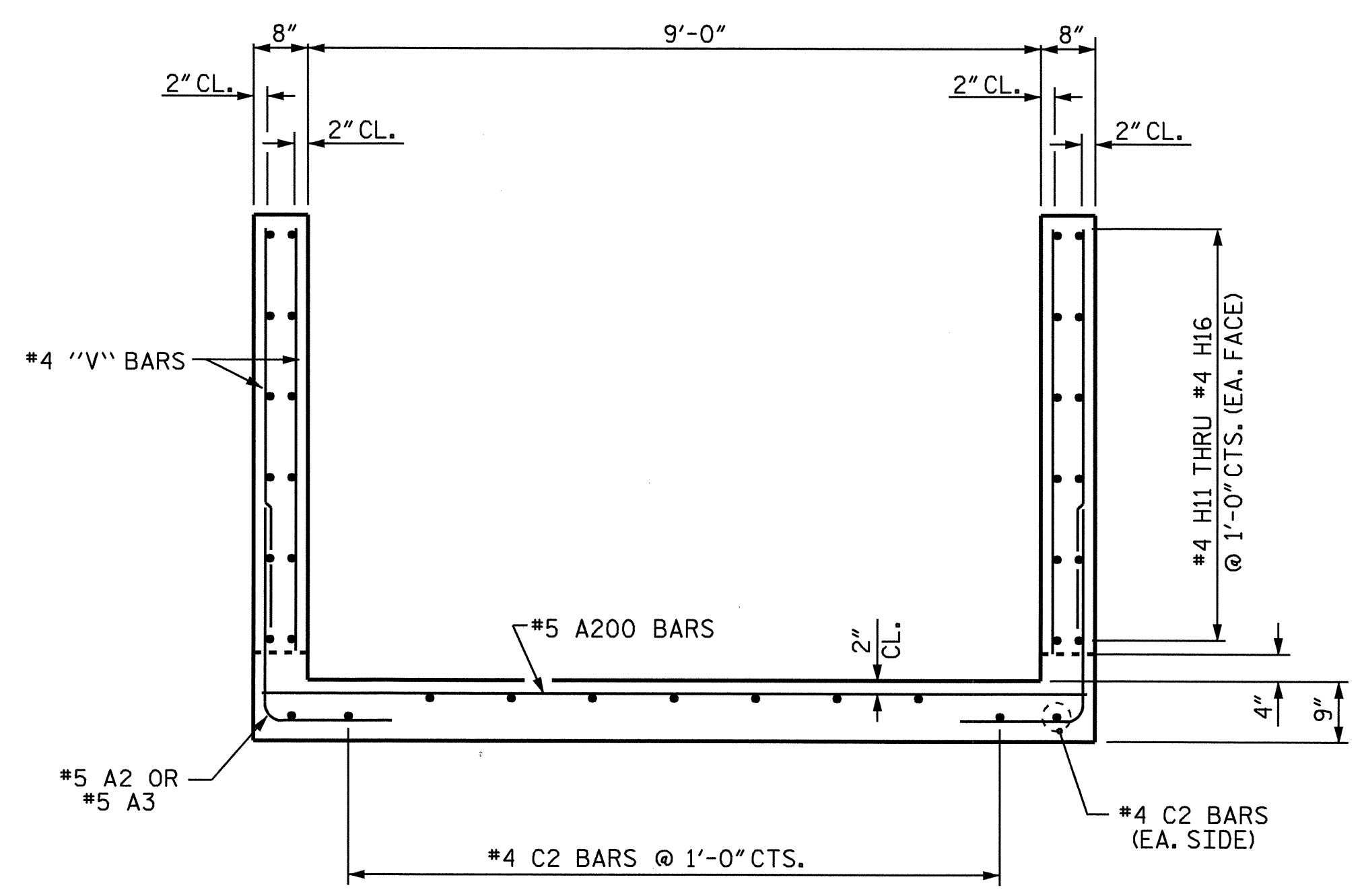


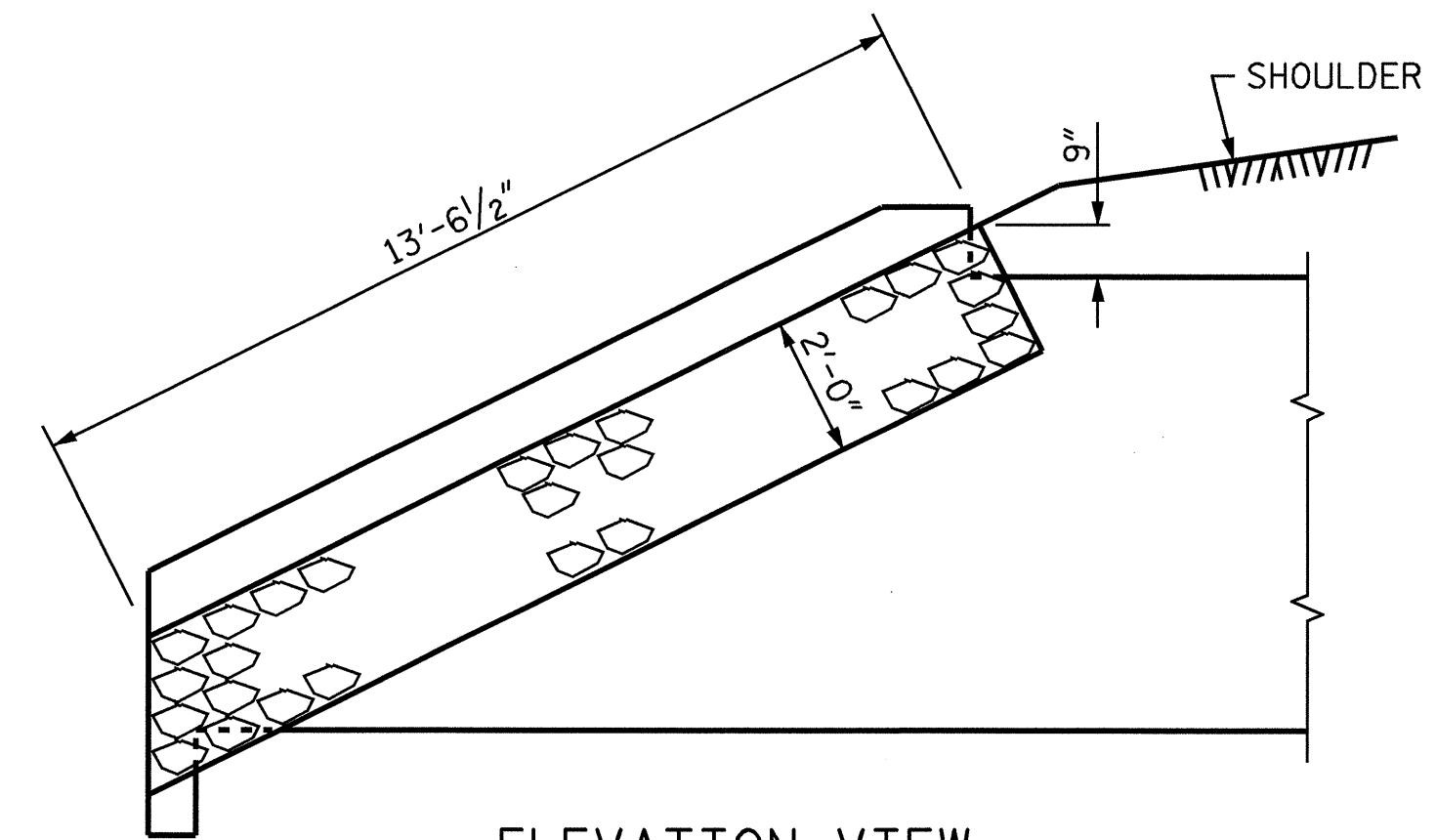
OUTLET WING SECTION NORMAL TO ROADWAY



PLAN VIEW



SECTION THRU OUTLET WINGS



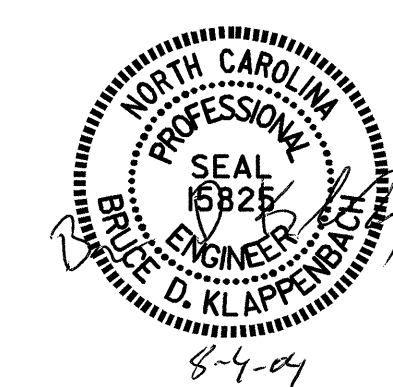
ELEVATION VIEW

OUTLET WING RIP RAP DETAILS

PROJECT NO. U-0620
CUMBERLAND COUNTY
 STATION: 15+74.00 -Y2-

SHEET 4 OF 5

STATE OF NORTH CAROLINA
 DEPARTMENT OF TRANSPORTATION
 RALEIGH
 BARREL STANDARD
 SINGLE 9 FT. X 5 FT.
 CONCRETE BOX CULVERT
 70° SKEW



DRAWN BY : J.B. WILSON DATE : 9/03
 CHECKED BY : D.A. GALDDEN DATE : 9/03

26-JUL-2004 11:55
 W:\sq\ad\U0620\Str4\jwilson\Microstation\U-620.sd.CU.04.dgn
 mpatterson

REVISIONS					SHEET NO.
NO.	BY:	DATE:	NO.	BY:	DATE:
1			3		
2			4		

TOTAL SHEETS: 23

NC006