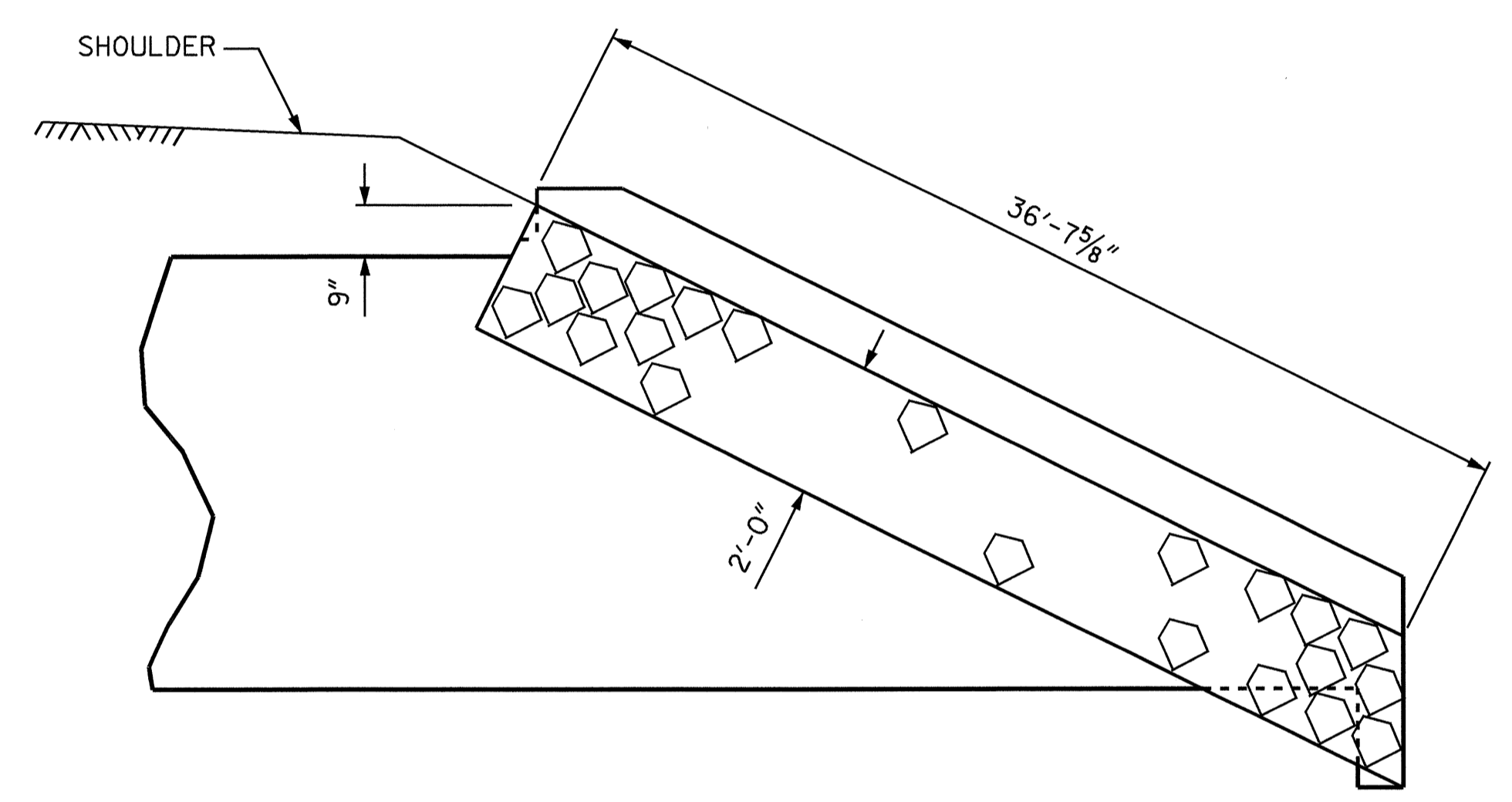


PLAN

| OUTLET WINGS | |
|---------------------------------------|----|
| PLAIN RIP RAP, CLASS I (TONS) | 74 |
| FILTER FABRIC FOR DRAINAGE (SQ. YDS.) | 81 |

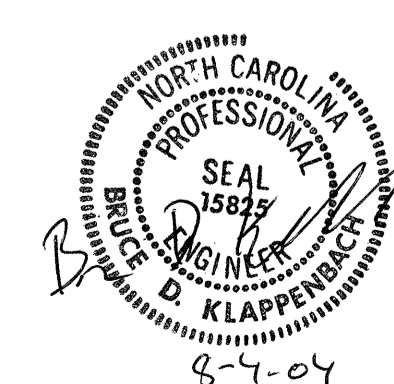


ELEVATION

RIP RAP DETAIL

PROJECT NO. U-0620
CUBERLAND COUNTY
 STATION: 106+32.00 -L-
 SHEET 6 OF 6

STATE OF NORTH CAROLINA
 DEPARTMENT OF TRANSPORTATION
 RALEIGH
**OUTLET WINGS
 RIP RAP
 DETAIL**



DRAWN BY : M. G. SHAIKH DATE : 7-31-03
 CHECKED BY : D. A. GLADDEN DATE : 8-14-03

| REVISIONS | | | | | | SHEET NO. |
|-----------|-----|-------|-----|-----|-------|--------------|
| NO. | BY: | DATE: | NO. | BY: | DATE: | C-11 |
| 1 | | | 3 | | | TOTAL SHEETS |
| 2 | | | 4 | | | 23 |