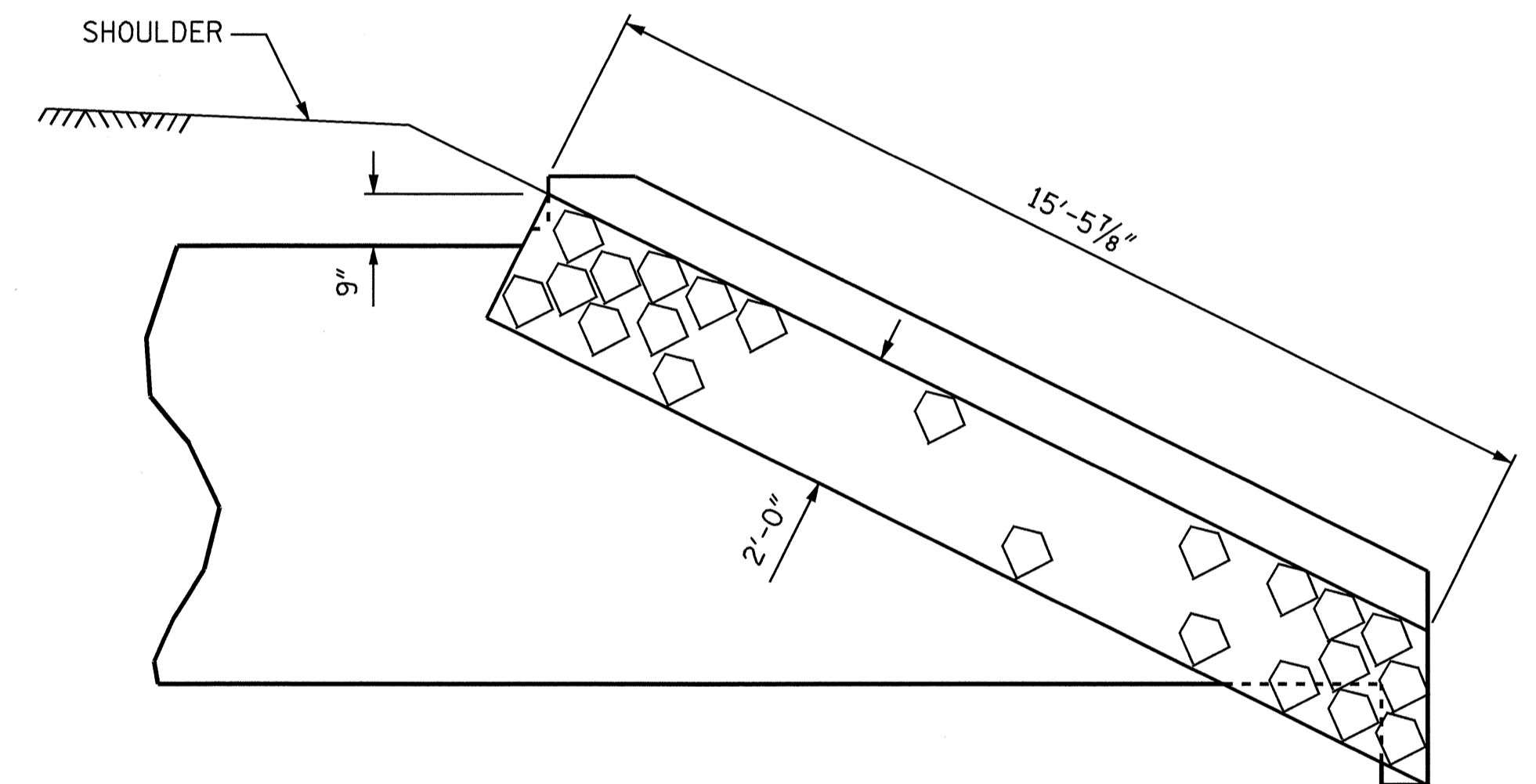


PLAN VIEW

RIP RAP DETAILS

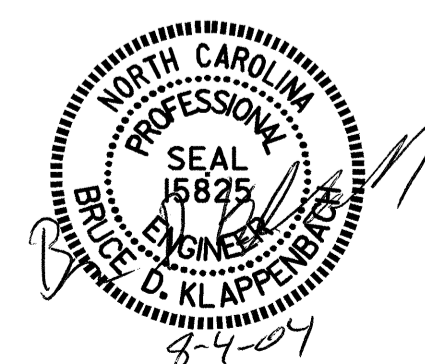
OUTLET WINGS	
PLAIN RIP RAP, CLASS I (TONS)	25
FILTER FABRIC FOR DRAINAGE (SQ. YDS.)	28



ELEVATION VIEW

PROJECT NO. U-0620
CUBERLAND COUNTY
 STATION: 118+40.00 -L-

SHEET 6 OF 6



STATE OF NORTH CAROLINA
 DEPARTMENT OF TRANSPORTATION
 RALEIGH

**OUTLET WINGS
 RIP RAP
 DETAIL**

REVISIONS						SHEET NO.
NO.	BY:	DATE:	NO.	BY:	DATE:	C-17
1			3			TOTAL SHEETS
2			4			23

DRAWN BY : M. G. SHAIKH DATE : 8-07-03
 CHECKED BY : D. A. GLADDEN DATE : 9-17-03