

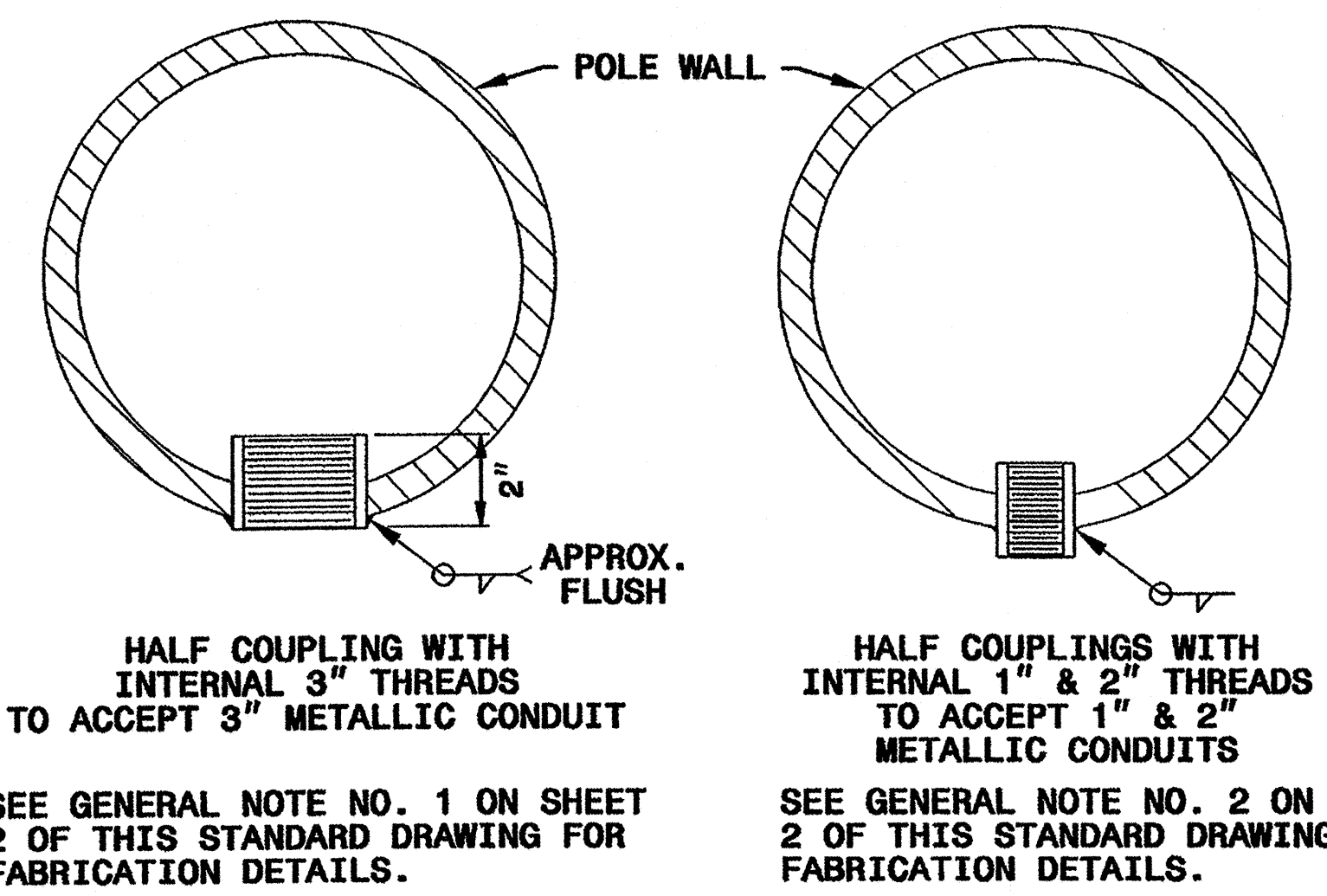
STATE OF NORTH CAROLINA  
 DEPT. OF TRANSPORTATION  
 DIVISION OF HIGHWAYS  
 RALEIGH, N.C.

9-03

ENGLISH STANDARD DRAWING FOR  
**METAL POLES**  
 MISCELLANEOUS DETAILS

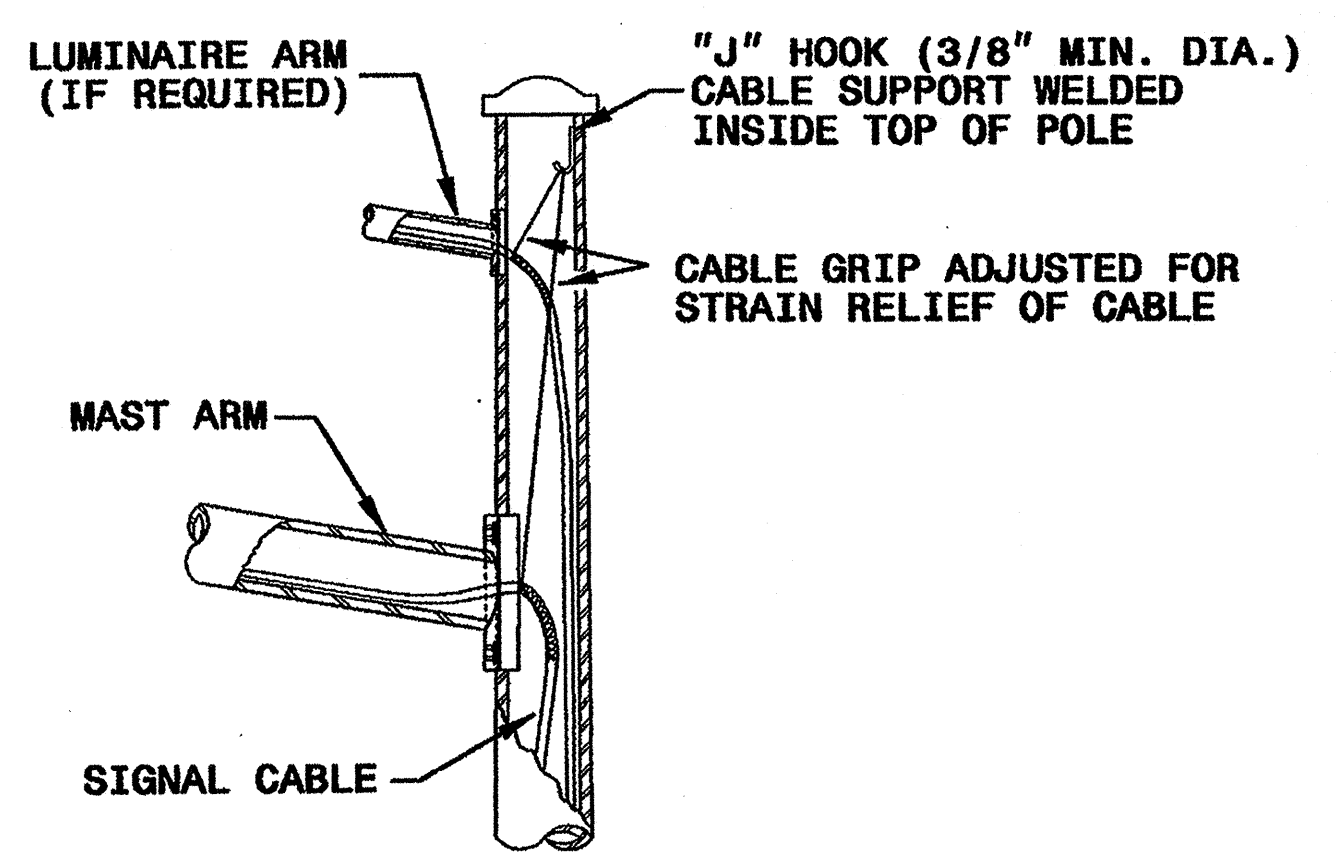
SHEET 3 OF 3  
**1740.01**

**MOUNTING POINT DETAIL**  
 CABLE ENTRANCE IN TERMINAL COMPARTMENT      CABLE ENTRANCES AT TOP OF POLE

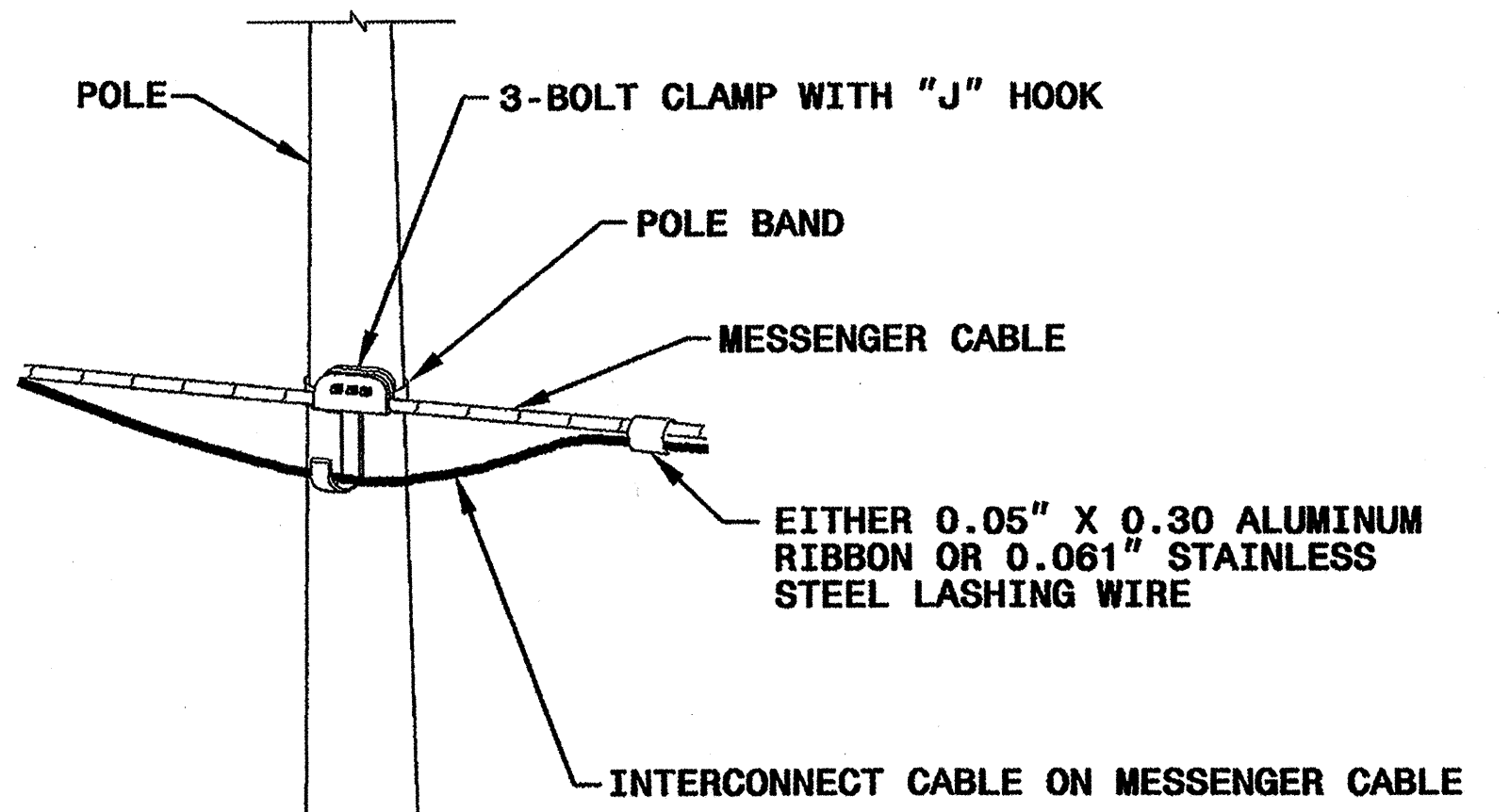


SEE GENERAL NOTE NO. 1 ON SHEET 2 OF THIS STANDARD DRAWING FOR FABRICATION DETAILS.      SEE GENERAL NOTE NO. 2 ON SHEET 2 OF THIS STANDARD DRAWING FOR FABRICATION DETAILS.

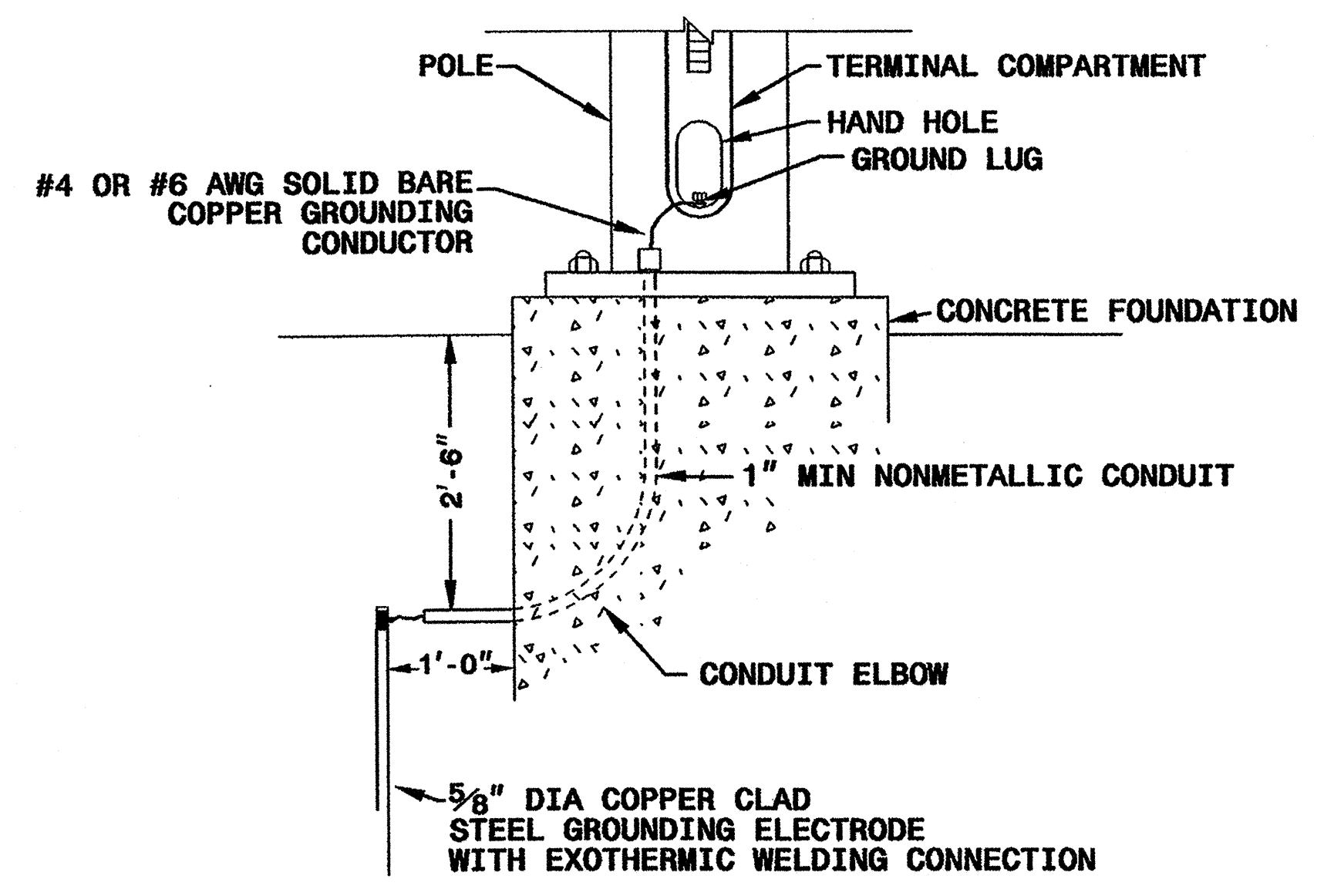
**CABLE STRAIN RELIEF**



**ATTACHMENT OF CABLE TO INTERMEDIATE METAL POLE**



**METAL POLE GROUNDING DETAIL**



STATE OF NORTH CAROLINA  
 DEPT. OF TRANSPORTATION  
 DIVISION OF HIGHWAYS  
 RALEIGH, N.C.

9-03

ENGLISH STANDARD DRAWING FOR  
**METAL POLES**  
 MISCELLANEOUS DETAILS

SHEET 3 OF 3  
**1740.01**

|   |                               |
|---|-------------------------------|
| Structural Engineer   | Electrical Engineer           |
|   |                               |
| <i>D. Sarkar</i> 9/19/03  | <i>Milton M. Dean</i> 9/22/03 |
| SIGNATURE   | SIGNATURE                     |
| DATE  | DATE                          |
| <b>Standard Drawings</b>  |                               |
| <i>Traffic Management and Signal Systems Unit</i><br>122 N. McDowell St., Raleigh, NC 27603 |                               |
| <b>See Plate for Title</b>  |                               |
| Original: 2002 Standards  |                               |

19-Sep-2003 14:27  
 w:\p001\105-un11\kpr\kpr-oupsaw03\Roadway6\Fundam\dwg\steng\11shwp.dwg sheets\174001 second.dgn  
 p01 baxander