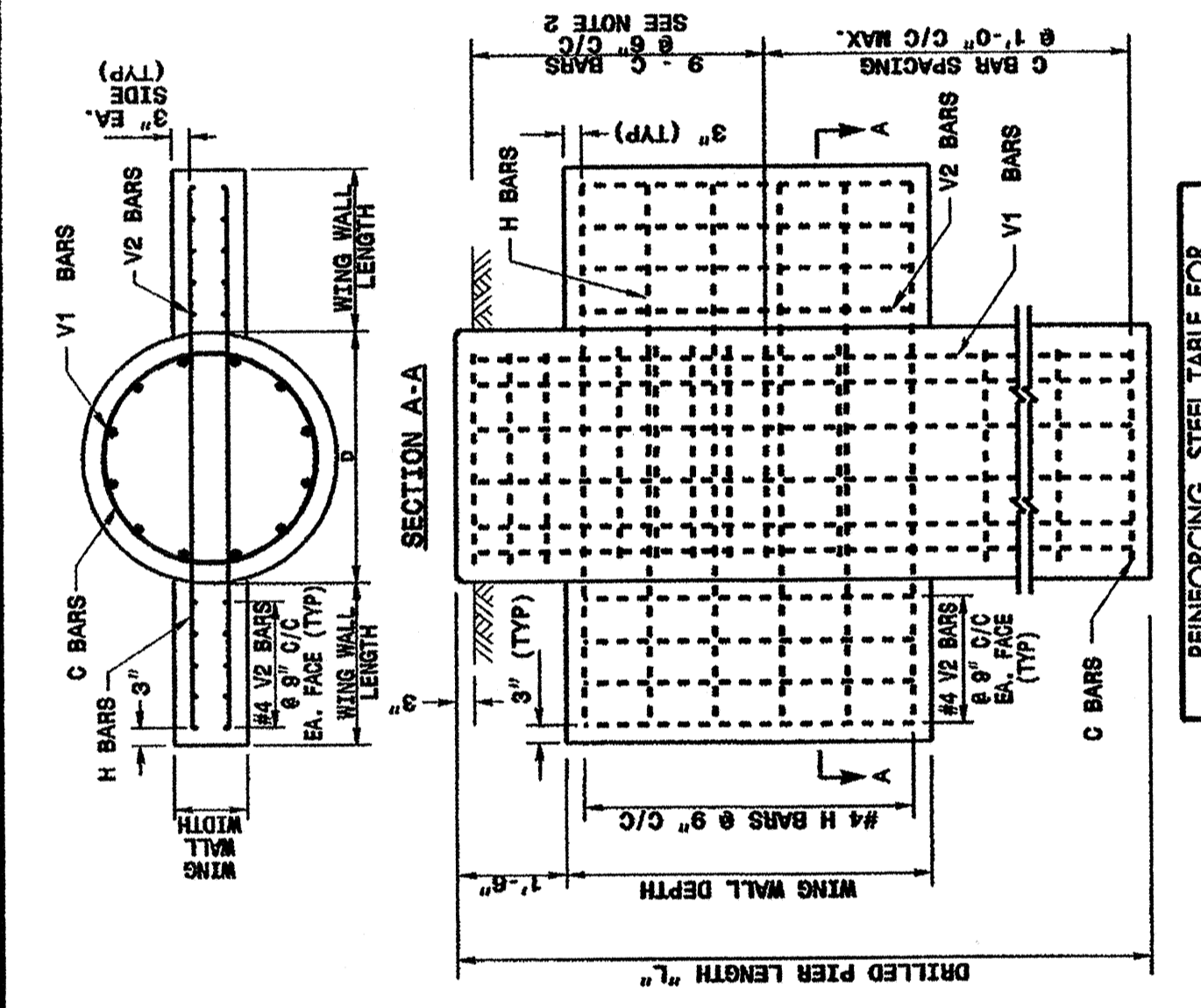
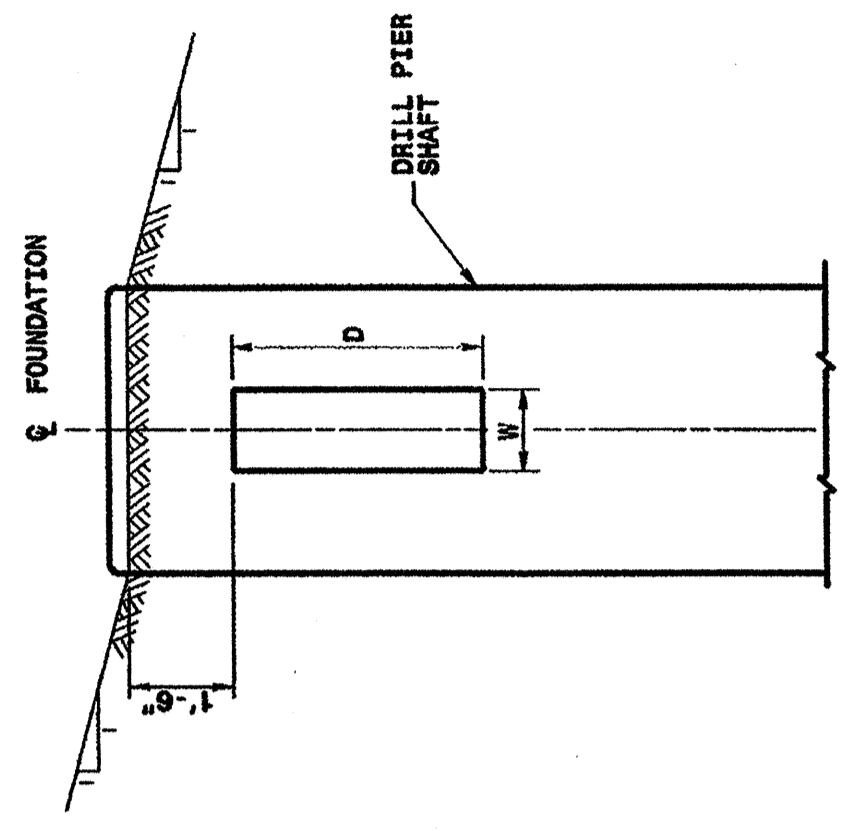


STATE OF NORTH CAROLINA DEPT. OF TRANSPORTATION DIVISION OF HIGHWAYS RALEIGH, N.C.

ENGLISH STANDARD DRAWING FOR METAL POLE FOUNDATIONS REINFORCING CAGE DETAILS

SHEET 1 OF 2 1742.01

- NOTES**
1. THE NUMBER OF C-BARS IS BASED ON FOUNDATION DEPTH. SEE FOUNDATION SELECTION TABLES.
 2. CIRCULAR TIE REINFORCING RINGS MAY BE VERTICALLY ADJUSTED BY 1/4" TO 3/4" AT A DEPTH BETWEEN 2'-0" AND 3'-0" TO FACILITATE THE INSTALLATION OF ELECTRICAL CONDUIT ENTERING IN THE CAGE.
 3. THE LENGTH OF V1-BARS IS BASED ON FOUNDATION DEPTH. SEE FOUNDATION SELECTION TABLES.
 4. THE QUANTITIES FOR STEEL AND CONCRETE SHOWN IN THE WING WALL DETAILS CHART REFLECT THE AMOUNT OF MATERIAL FOR 1 PAIR OF WING WALLS (2 WING WALLS PER DRILL PIER SHAFT.)
 5. CONCRETE DRILL PIER SHAFT VOLUME (CU. YDS.):
FOR 42" DIA. = .858XL
FOR 48" DIA. = .465XL
 6. DEFORM REINFORCING STEEL TO CONFORM TO ASTM A618 GRADE 60. TIES MAY BE DEFORMED OR PLAIN.
 7. CAST CONCRETE AGAINST UNDISTURBED SOIL.
 8. DO NOT ERECT TRAFFIC SIGNAL STRUCTURES BEFORE THE CONCRETE IN THE FOUNDATION HAS ATTAINED A MINIMUM COMPRESSIVE STRENGTH OF 3000 PSI.
 9. MAKE PROVISIONS FOR DRAINAGE OF WATER FROM INSIDE OF THE METAL SUPPORT.
 10. FOR OTHER DETAILS REGARDING CONSTRUCTION OF CONCRETE FOUNDATION SEE PROJECT SPECIAL PROVISIONS.
 11. IN CASE OF ANY CROSS SLOPES, GRADE AROUND THE FOUNDATION AS FOLLOWS:



REINFORCING STEEL TABLE FOR STANDARD 42" and 48" DRILL PIER SHAFT WITH TYPE 1 AND TYPE 2 WING WALLS

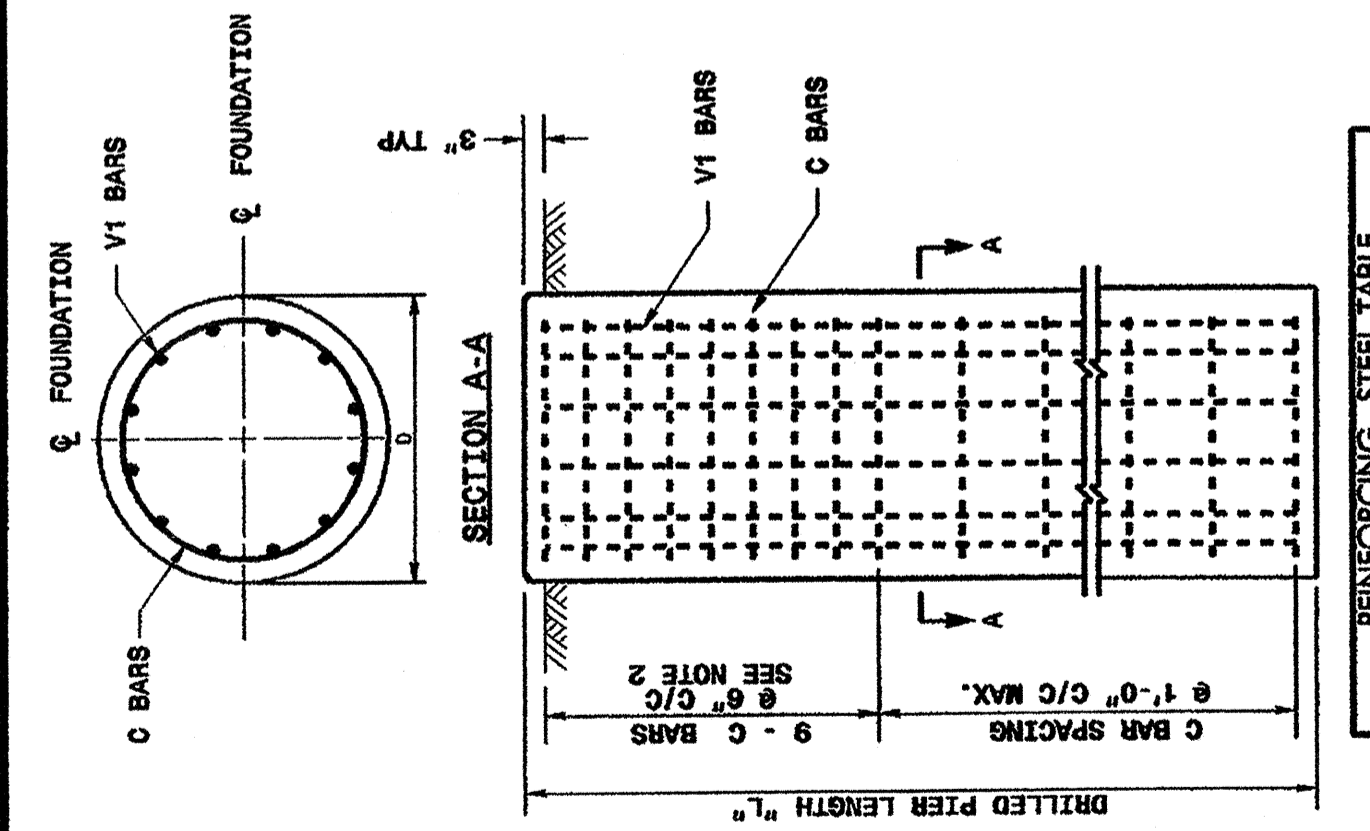
Wing Wall Type	Drill Pier Shaft Dia. (In.)	Reinforcing Steel	No.	Size	Type	Length
TYPE 1	42"	V1	8	#8	STR.	3xX
		H	8	#4	STR.	2'-6"
		C	X	#4	STR.	10'-0"
TYPE 2	42"	V1	8	#8	STR.	3xX
		H	12	#4	STR.	9'-0"
		C	X	#4	STR.	10'-0"
TYPE 2	48"	V1	12	#8	STR.	3xX
		H	12	#4	STR.	9'-0"
		C	X	#4	STR.	10'-0"

* See Construction Note No. 1.
** See Construction Note No. 2.

WING WALL DETAILS

Wing Wall Type	Wing Wall Length	Wing Wall Width	Concrete Volume (Cu. Yds.)
TYPE 1	3'-0"	1'-0"	3'-0"
TYPE 2	3'-0"	1'-0"	1'-2"

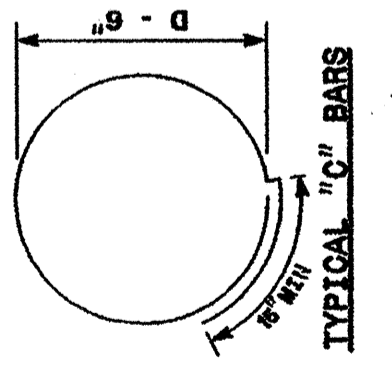
See Construction Note No. 3.



REINFORCING STEEL TABLE FOR STANDARD DRILL PIER SHAFT (42" & 48" DIAMETER)

SHAFT DIA. (In.)	BAR SIZE	No.	Type	Length
42"	#8	8	STR.	3xX
48"	#8	12	STR.	3xX

* See Construction Note No. 1.
** See Construction Note No. 2.



STATE OF NORTH CAROLINA DEPT. OF TRANSPORTATION DIVISION OF HIGHWAYS RALEIGH, N.C.

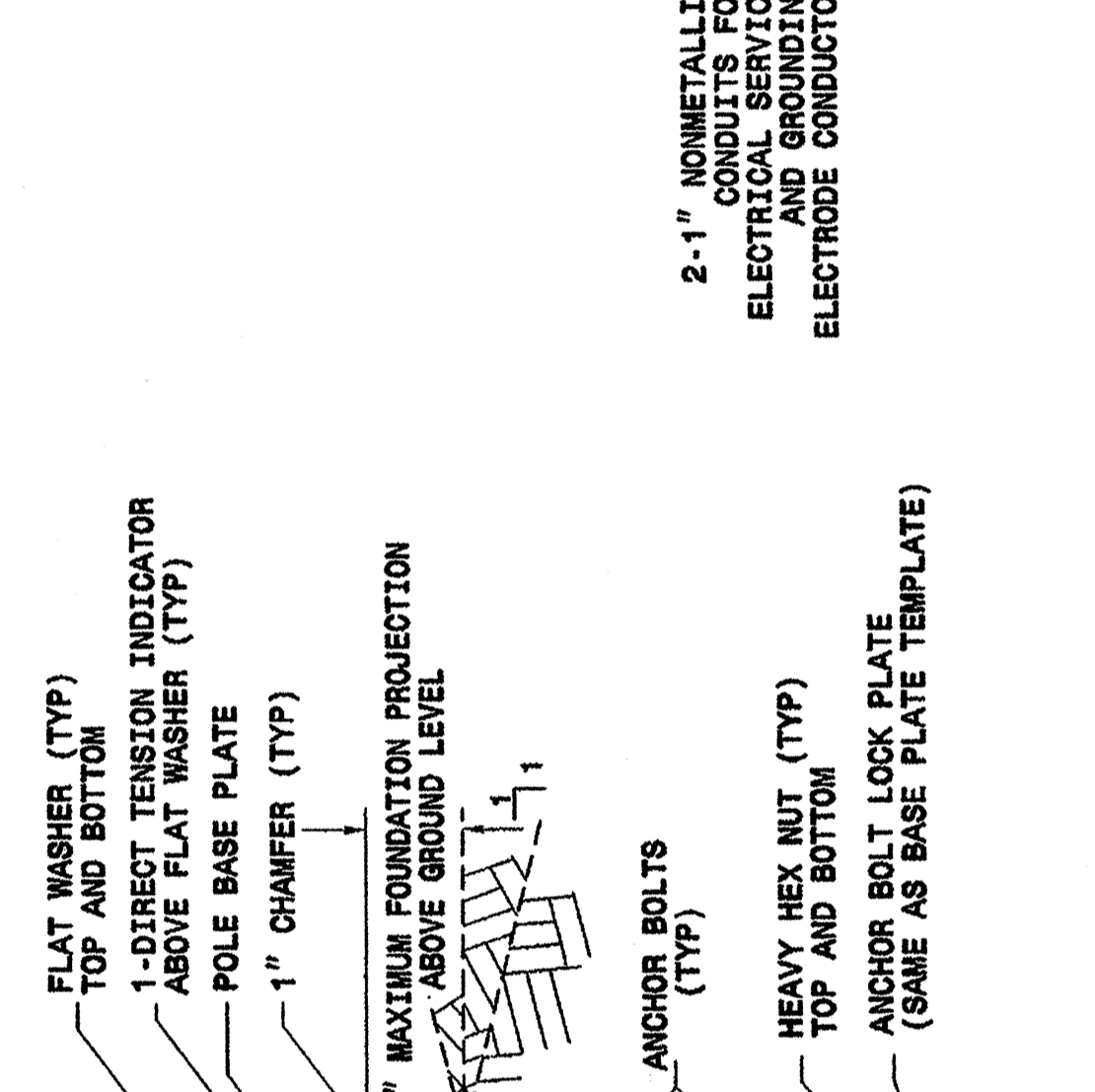
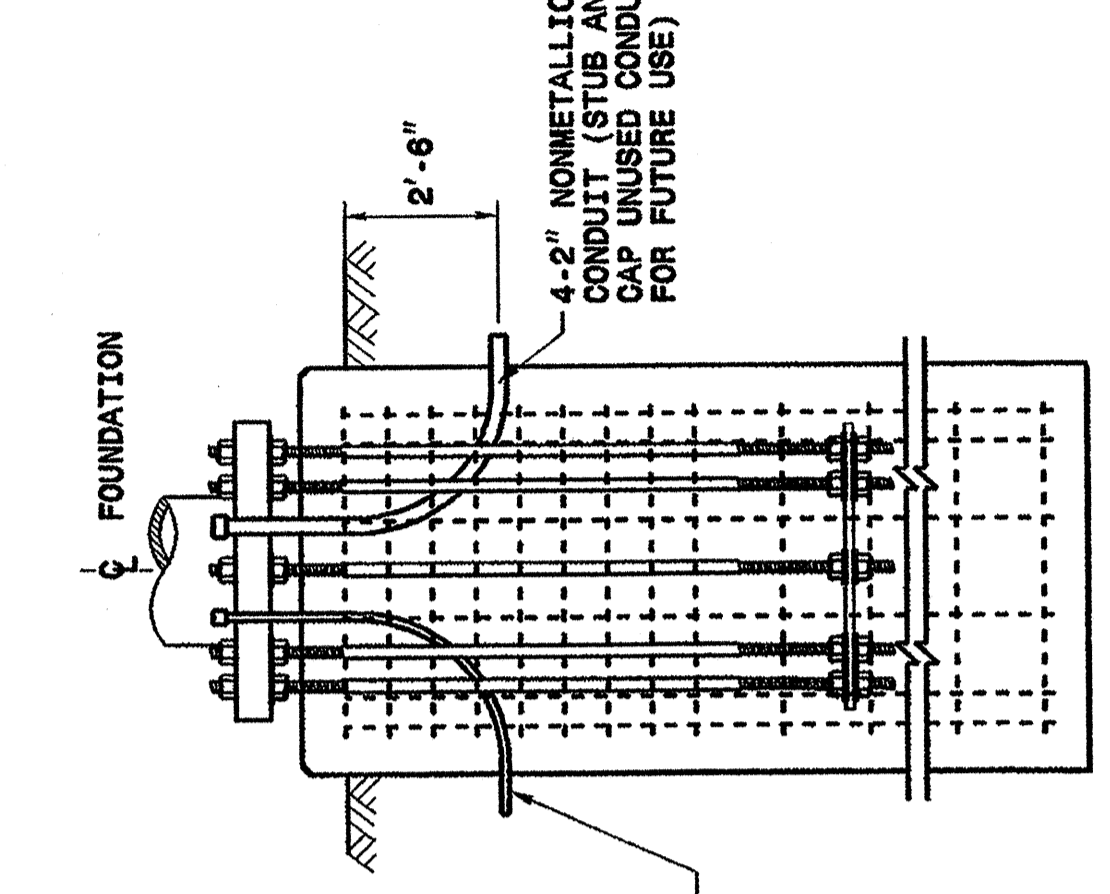
ENGLISH STANDARD DRAWING FOR METAL POLE FOUNDATIONS REINFORCING CAGE DETAILS

SHEET 1 OF 2 1742.01

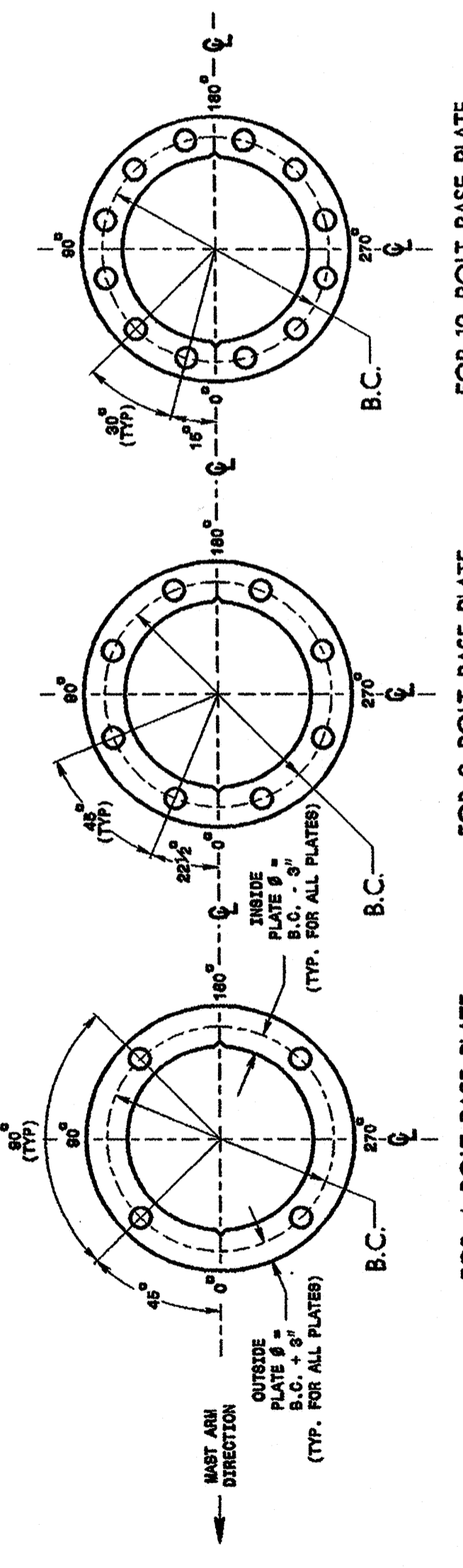
STATE OF NORTH CAROLINA DEPT. OF TRANSPORTATION DIVISION OF HIGHWAYS RALEIGH, N.C.

ENGLISH STANDARD DRAWING FOR METAL POLE FOUNDATIONS INSTALLATION DETAILS

SHEET 2 OF 2 1742.01



TYPICAL FOUNDATION ANCHOR BOLT DETAILS REINFORCING CAGE NOT SHOWN FOR CLARITY



FOR 4 BOLT BASE PLATE FOR 8 BOLT BASE PLATE FOR 12 BOLT BASE PLATE
CONSTRUCT TEMPLATES AND PLATES FROM 3/8" THICK STEEL. GALVANIZING IS NOT REQUIRED.
BASE PLATE TEMPLATE AND ANCHOR BOLT LOCK PLATE DETAILS

STATE OF NORTH CAROLINA DEPT. OF TRANSPORTATION DIVISION OF HIGHWAYS RALEIGH, N.C.

ENGLISH STANDARD DRAWING FOR METAL POLE FOUNDATIONS INSTALLATION DETAILS

SHEET 2 OF 2 1742.01

<p>Structural Engineer</p> <p>D. Sankar 9.12.03</p>	<p>Electrical Engineer</p> <p>Wilton A. Dean 9/18/03</p>
<p>Standard Drawings Traffic Management and Signal Systems Unit 122 N. McDowell St., Raleigh, NC 27603</p>	
<p>See Plate for Title</p>	
<p>Original: 2002 Standards</p>	

10-SEP-2003 09:46 U:\net\ondr\48403\Roadway\Standard\dwgs\sig\11\ship\on_sheets\174201.p1n sheet.dgn