

PROJECT REFERENCE NO. U-0620		SHEET NO. EC-41/CONST.17	
RW SHEET NO.			
ROADWAY DESIGN ENGINEER		HYDRAULICS ENGINEER	

NOTE:
TEMPORARY SILT FENCE SHALL BE INSTALLED A MINIMUM OF 3 FEET FROM TOE OF FILL IN WETLAND AREAS

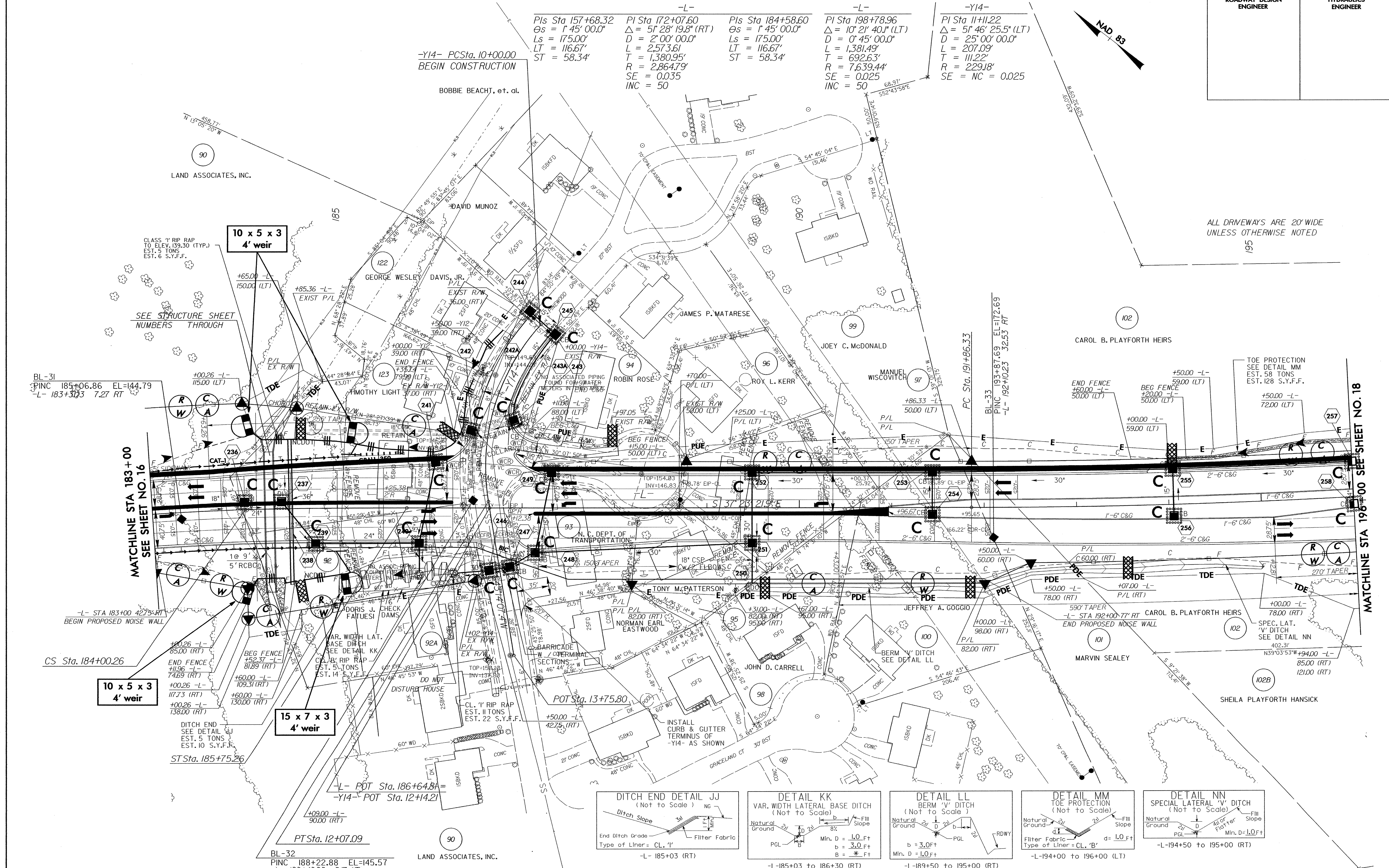
-L-
Pls Sta 157+68.32
Δs = 1' 45" 00.0"
Ls = 175.00'
LT = 116.67'
ST = 58.34'

-L-
PI Sta 172+07.60
Δ = 5' 28" 9.8" (RT)
D = 2' 00" 00.0"
L = 2,573.61'
T = 1,380.95'
R = 2,864.79'
SE = 0.035
INC = 50

-L-
Pls Sta 184+58.60
Δs = 1' 45" 00.0"
Ls = 175.00'
LT = 116.67'
ST = 58.34'

-L-
PI Sta 198+78.96
Δ = 10' 21" 40.1" (LT)
D = 0' 45" 00.0"
L = 1,381.49'
T = 692.63'
R = 7,639.44'
SE = 0.025
INC = 50

-Y14-
PI Sta 11+11.22
Δ = 5' 46" 25.5" (LT)
D = 25' 00" 00.0"
L = 207.09'
T = 111.22'
R = 229.18'
SE = NC = 0.025



BL-31
PINC 185+06.86 EL=144.79
-L- 183+31.3 7.27 RT

MATCHLINE STA 183+00
SEE SHEET NO. 16

CS Sta. 184+00.26

10 x 5 x 3
4' weir

END FENCE
+52.37 -L-
81.59 (RT)
+60.00 -L-
109.31 (RT)
+00.26 -L-
177.3 (RT)
+60.00 -L-
130.00 (RT)

15 x 7 x 3
4' weir

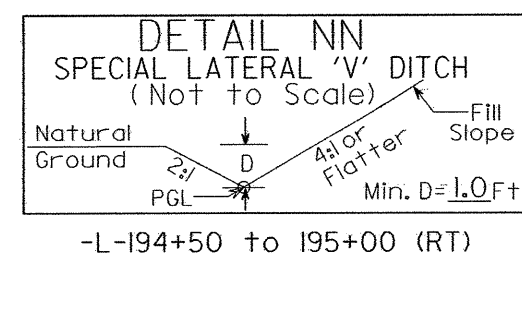
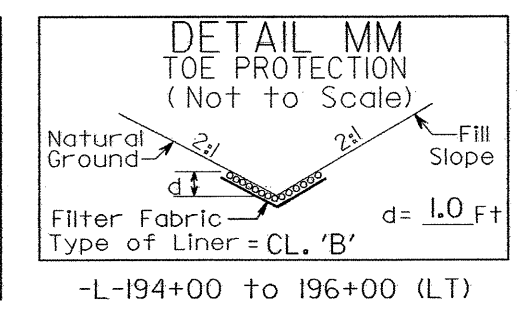
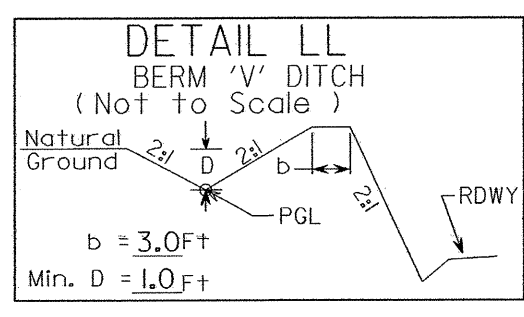
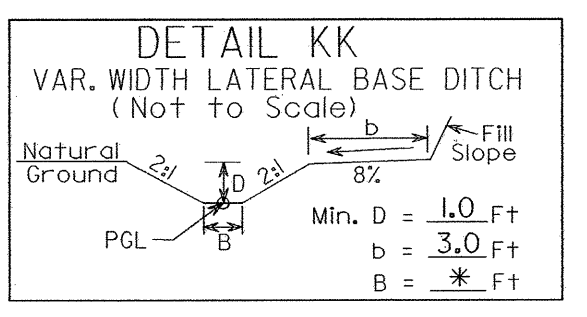
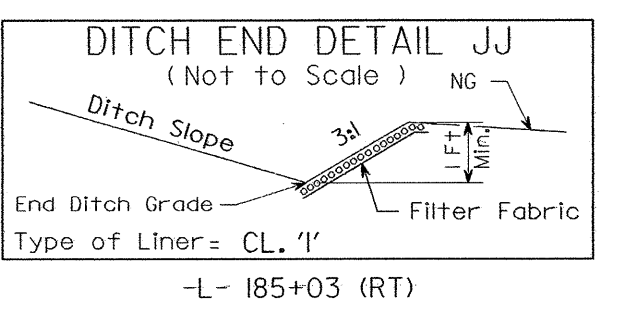
ST Sta. 185+75.26

-L- POT Sta. 186+64.81
-Y14- POT Sta. 12+14.21

PT Sta. 12+07.09

BL-32
PINC 188+22.88 EL=145.57
-L- 186+46.98 8.17 LT
-Y14- 12+03.50 16.29 RT

LAND ASSOCIATES, INC.



5' MONOLITHIC ISLAND (KEYED IN) & SIDEWALK
PAINT STRIPED LANE CLOSURE
PAVEMENT REMOVAL

ALL DRIVEWAYS ARE 20' WIDE
UNLESS OTHERWISE NOTED

MATCHLINE STA 196+00 SEE SHEET NO. 18