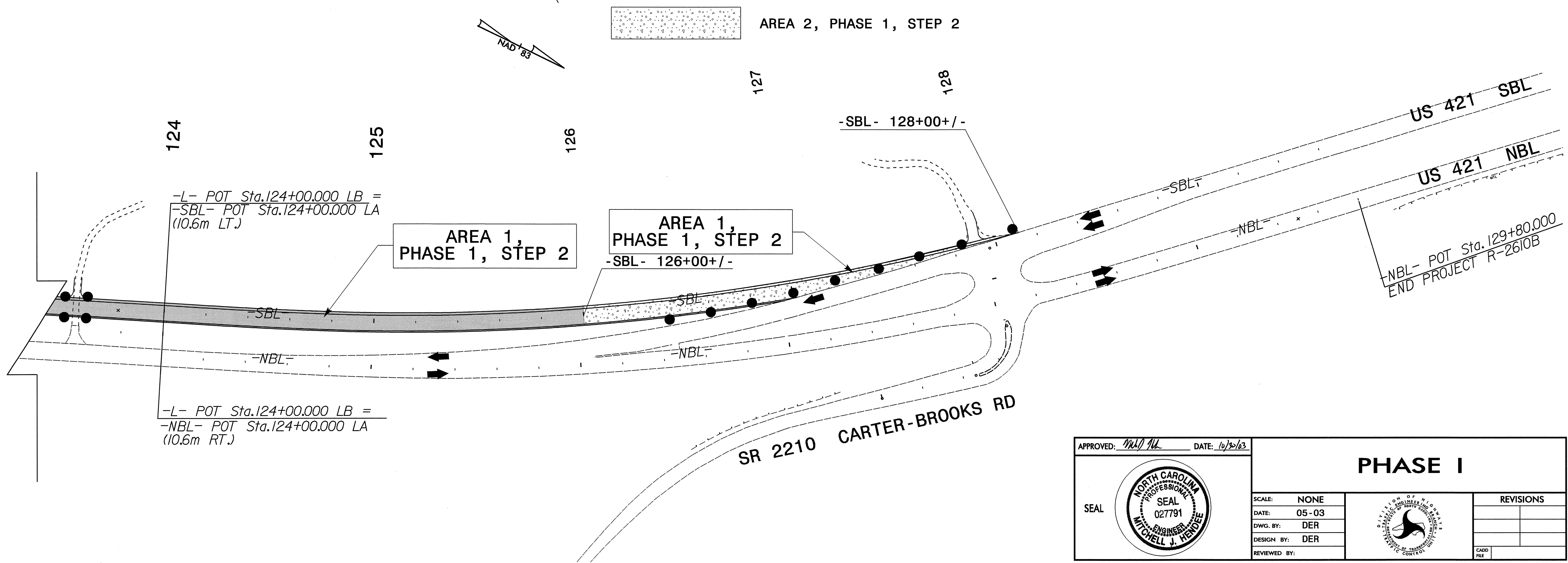
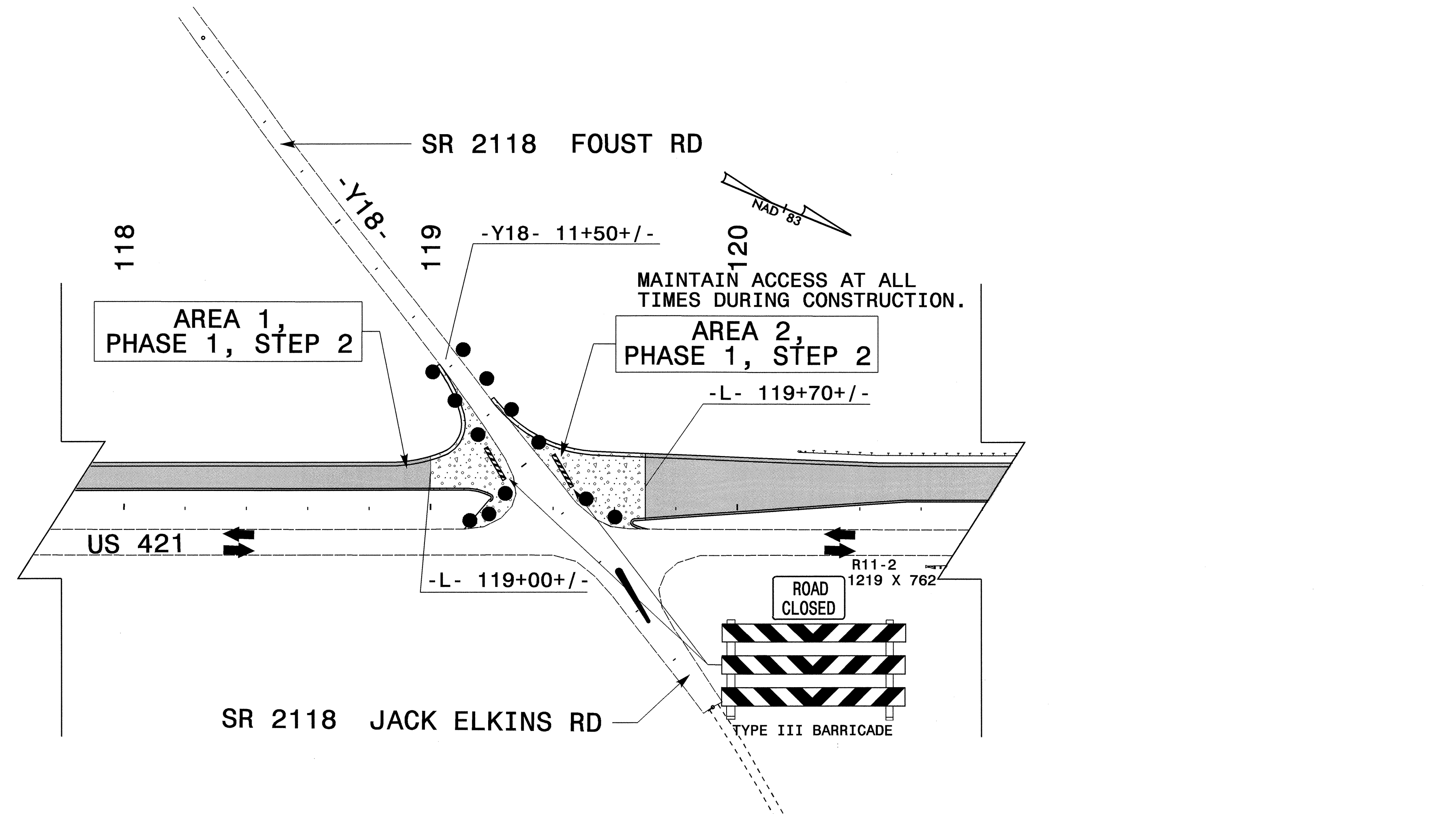

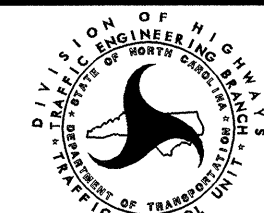




PROJ. REFERENCE NO.	SHEET NO.
R-2610B	TCP-10



29-OCT-2003 16:25  
 F:\TCP\F2610b\Fc\_top10-ll.dgn  
 DERichardson AT TETC206432

APPROVED: <i>MJH</i>	DATE: 10/30/03	<b>PHASE I</b>	
			
SCALE: NONE	REVISIONS		
DATE: 05-03			
DWG. BY: DER			
DESIGN BY: DER			
REVIEWED BY:		<small>CADD FILE</small>	