

10/26/08

REVISIONS

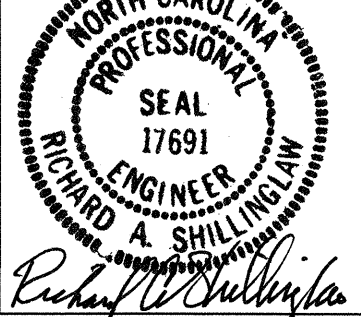


PROJECT REFERENCE NO. SHEET NO.

R-2610B 2-C

ROADWAY DESIGN ENGINEER

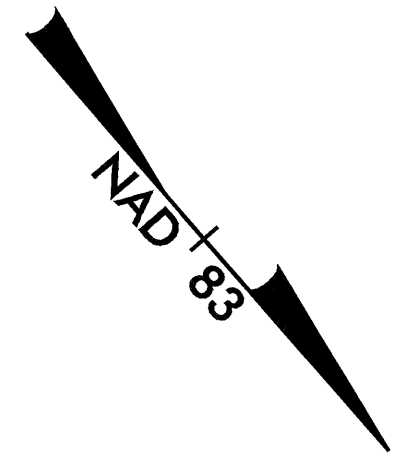
06-23-04



CONST. REV.

R / W REV.

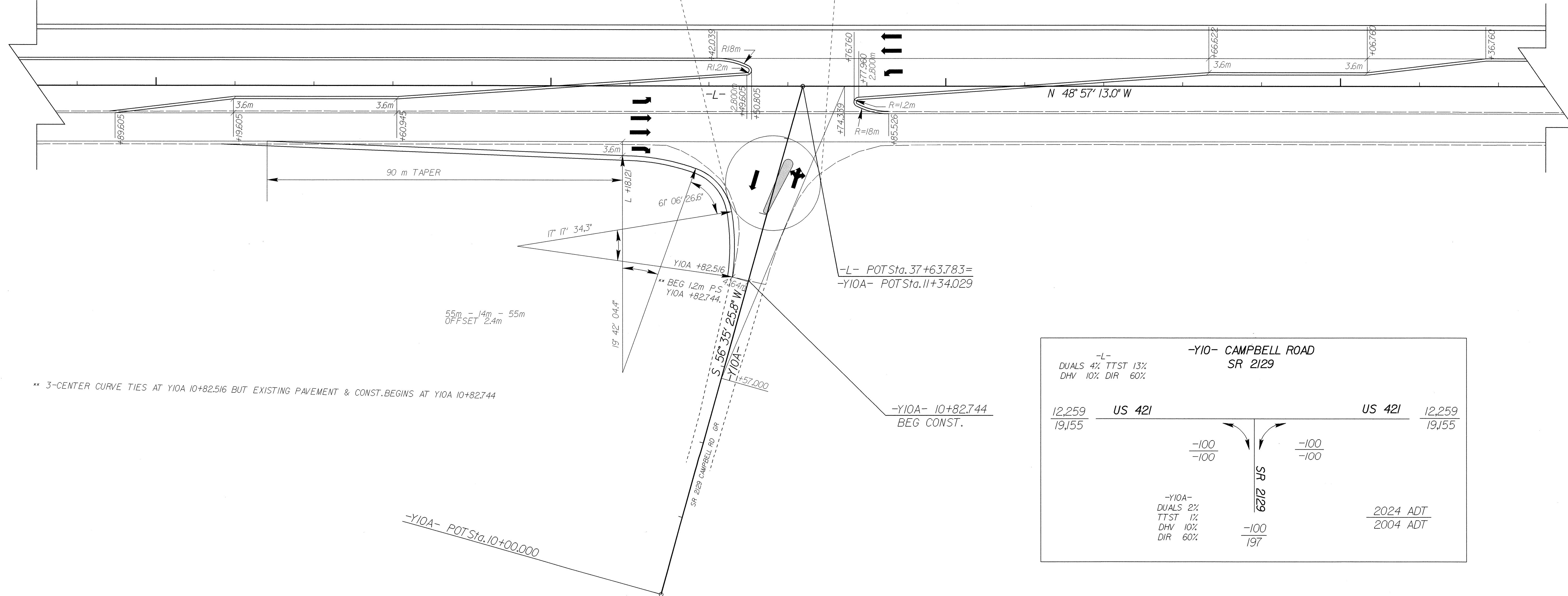
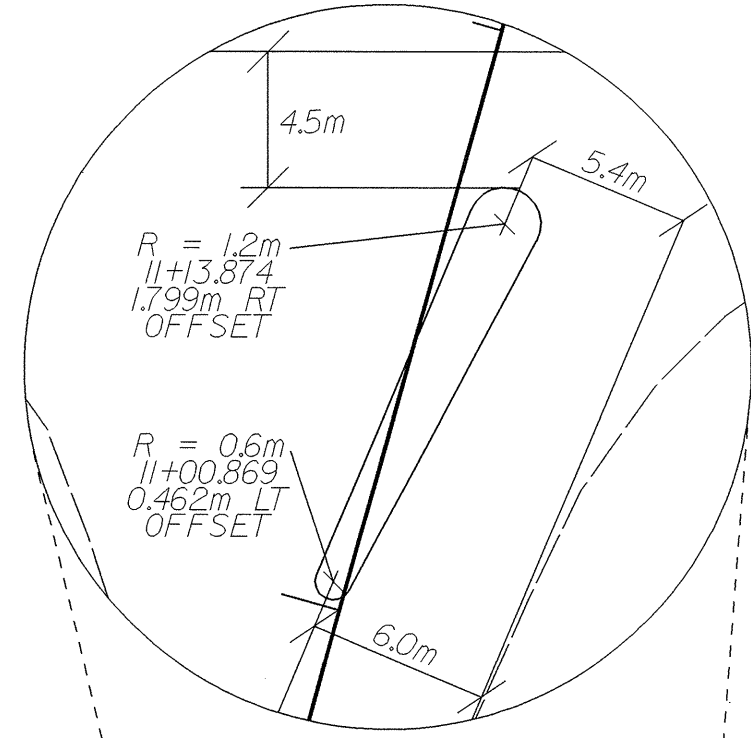
36+00



37+00

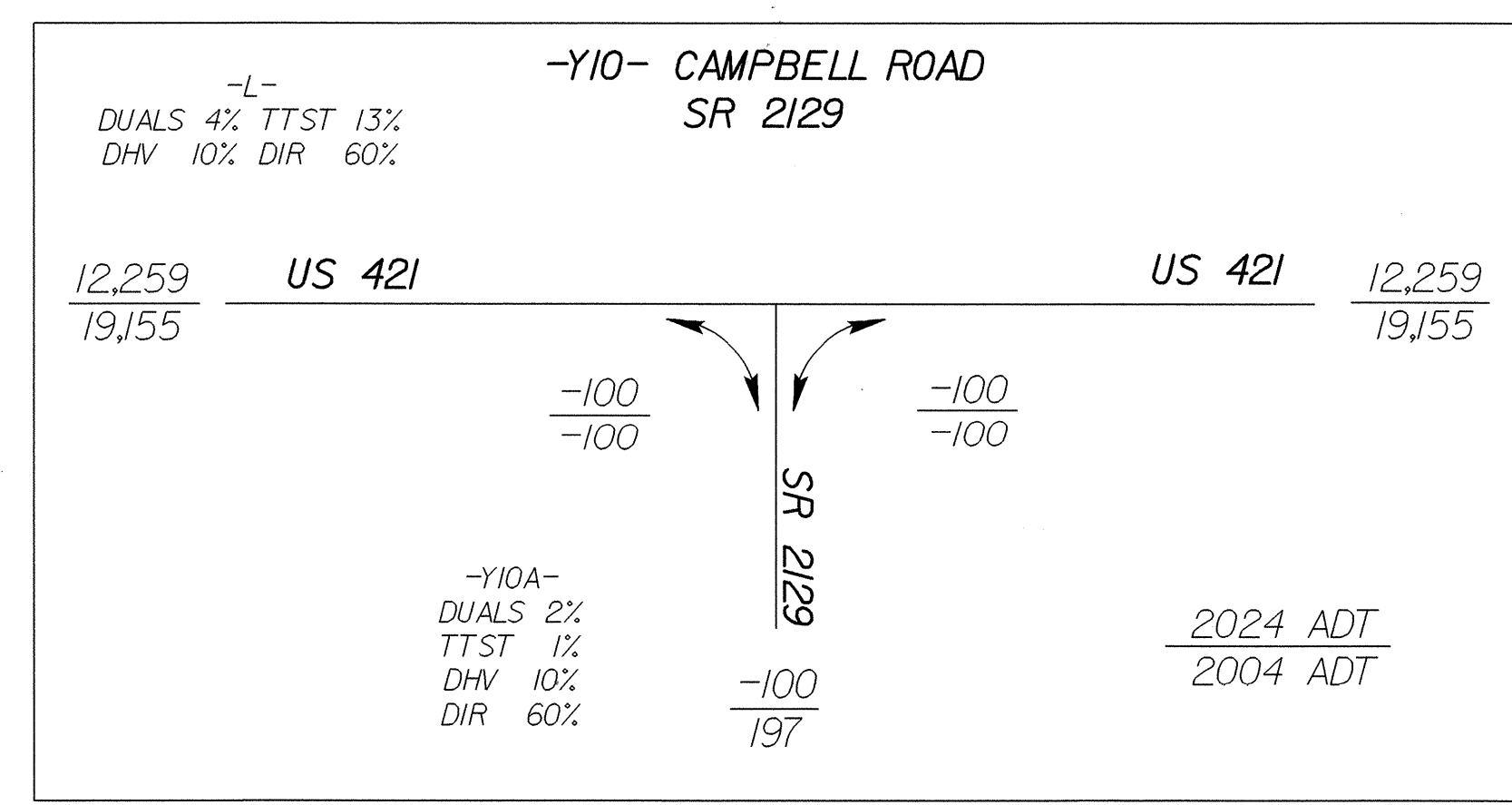
38+00

39+00



** 3-CENTER CURVE TIES AT Y10A 10+82.516 BUT EXISTING PAVEMENT & CONST. BEGINS AT Y10A 10+82.744

55m - 14m - 55m
OFFSET 2.4m



03-JUN-2004 15:44
RShillingham